



CELESTIA™ FREESTANDING



MADE WITH FINESTONE™

INSTALLATION INSTRUCTIONS

Important information for the installer and the owner.

 BainUltra®

TO BE KEPT BY THE OWNER

TABLE OF CONTENT

| | |
|--------------------------------------------------|-----------|
| SAFETY INSTRUCTIONS | 4 |
| CELESTIA™ | |
| PARTS & TOOLS | 5 |
| SITE PREPARATION | 6 |
| INSTALLATION WITH ACCESS UNDER THE FLOOR..... | 7 |
| INSTALLATION WITHOUT ACCESS UNDER THE FLOOR..... | 8 |
| INSTALLATION - FINAL STEPS | 9 |
| MAINTENANCE | 10 |
| WARRANTY | 11 |

956, chemin Olivier
Lévis (Québec)
G7A 2N1

T 418.831.7701

1.800.463.2187

F 418.831.6623

1.800.382.8587

info@bainultra.com

1 800 463.2187



Monday to Thursday from 8 a.m. to 6 p.m. (EST) · Friday from 8 a.m. to 5 p.m. (EST)

Printed in Canada. Copyright © December 2020 Bains Ultra Inc. All rights reserved. 45200695

CELESTIA FREESTANDING

 **WARNING****BATH INSPECTION**

BEFORE STARTING INSTALLATION, ensure that parts received match your order. If the bath appears nonconforming, please contact our technical service 1 800 463-2187.

Your bathtub made with FineStone™ has been treated with great care, so that its finish retains its pure and uniform state without compromise. However, in very rare cases, the surface of the material may appear to have tiny variations in color that may appear to sparkle. This is due to the mineral composition of the material. This is normal and does not require and repair or maintenance.

**HANDLE WITH CARE****HANDLING BY 2 PERSONS IS RECOMMENDED**

IMPORTANT SAFETY INSTRUCTIONS

READ AND FOLLOW ALL INSTRUCTIONS • SAVE THESE INSTRUCTIONS

WARNINGS

- Risk of hyperthermia and possible drowning. Check and adjust water temperature before use. Water temperature exceeding 100°F (38°C) may be injurious to your health.
- To reduce the risk of injury, as with any other conventional bath, children or physically impaired people should always be closely supervised at all times.
- To avoid injury, exercise care when entering or exiting the bathtub.
- For indoor use only.
- Do not permit electrical appliances (hair dryer, lamp, telephone, radio, television, etc.) within 5' (1,5 m) of the bath.

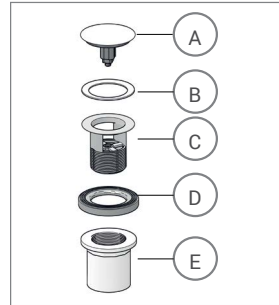
WATER LEAK TEST

- Once plumbing is fully installed and before beginning any other work, fill the bath with water to one (1) inch under the overflow level and wait 30 minutes. Check all plumbing hook-ups and bath for leaks. BainUltra is not responsible for any water damage caused by improper installation (see Warranty section).



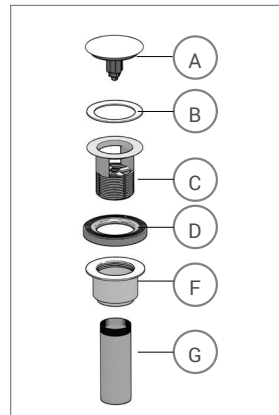
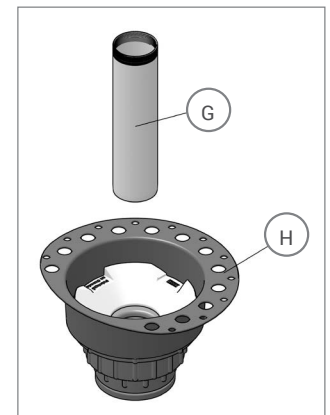
CELESTIA™ PARTS AND TOOLS
STANDARD PARTS - PLUMBING

| | | |
|---|----------------------|---|
| A | Plated drain clicker | 1 |
| B | Clicker seal | 1 |
| C | Strainer | 1 |
| D | Drain rubber seal | 1 |
| E | PVC Drain shoe | 1 |

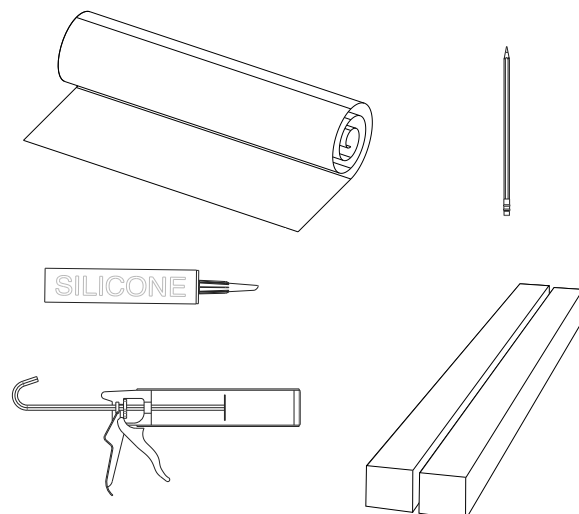

PVC DRAIN
OPTIONAL PARTS - PLUMBING

| | | |
|---|----------------------------------|---|
| F | Brass drain shoe | 1 |
| G | 8 in. brass tailpiece | 1 |
| H | Island Tub Drain (ITD) Floor set | 1 |

*: Island tub drain is recommended WHEN NO ACCESS IS POSSIBLE UNDER THE FLOOR.


BRASS DRAIN

ISLAND TUB DRAIN*
PARTS & TOOLS

| |
|-------------------------------------------|
| Cutting template |
| Pencil |
| Silicone / Caulking Gun |
| 2 Support blocks 4 x 4 x 36 (recommended) |

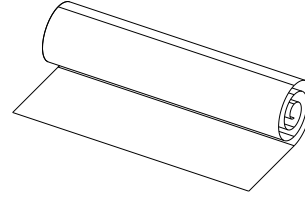


IMPORTANT • Before starting installation, ensure that parts received match your order.
For any questions, call BainUltra at 1 800 463-2187.

CELESTIA™ FREESTANDING SITE PREPARATION

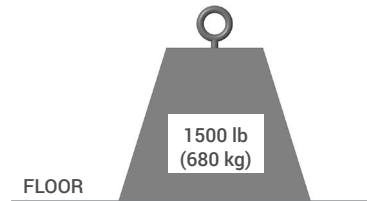
PLUMBING

- Plan for wall mounted or freestanding faucet area position.
- Plan water supply accordingly.
- Position drain using the cutting template.



BEDDING

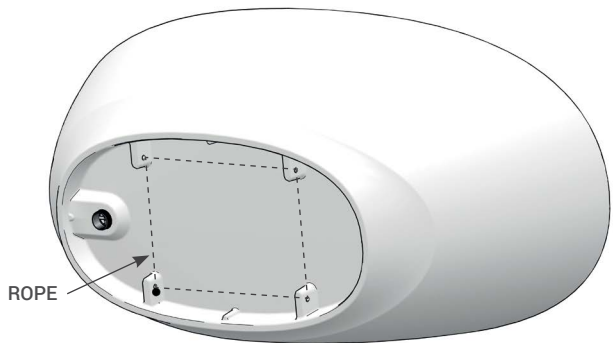
Before installing, ensure that the floor underneath the bath can support 1500 lb (680 kg). No special bedding installation is recommended by manufacturer, the bathtub can sit directly on the floor.



HANDLING



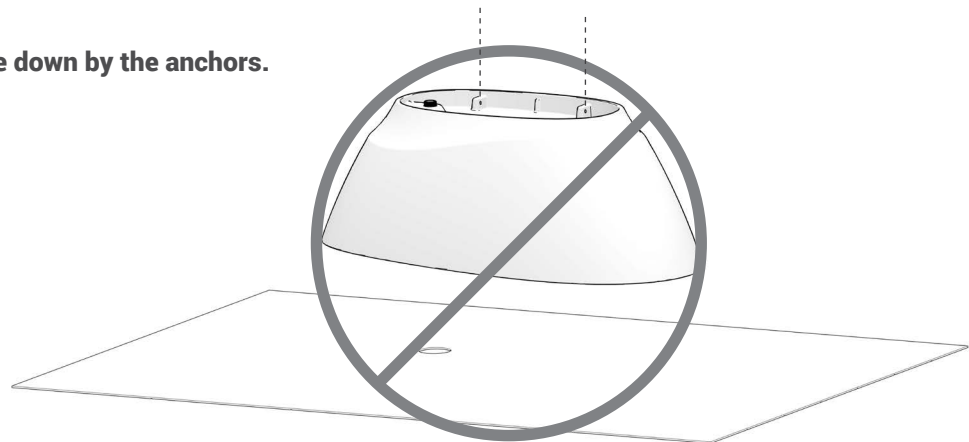
- HANDLE WITH CARE
- Handling of the bath must be done by **at least TWO PERSONS** ideally using moving moving straps. To prevent the moving straps from slipping, **RUN A ROPE THROUGH THE ANCHORS** under the bathtub. See image.



STEPS

1. Run a rope through anchor holes
2. Fasten tightly
3. Run the straps through the ropes

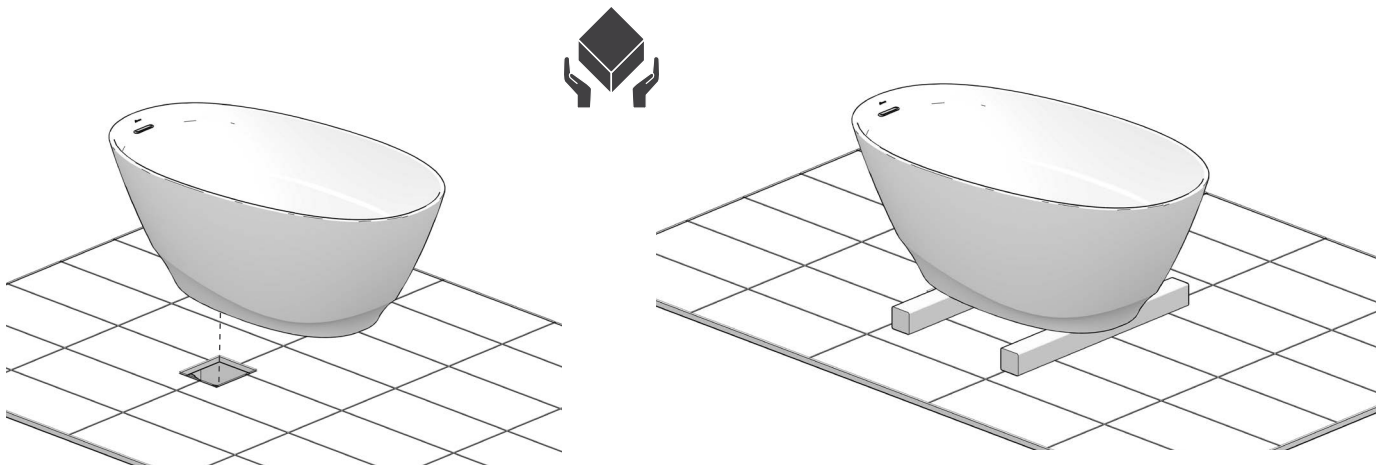
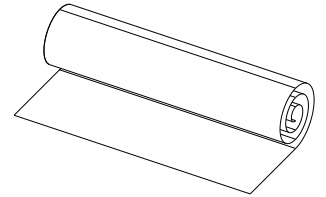
- **Never hang the bathtub upside down by the anchors.**



INSTALLATION WITH ACCESS UNDER THE FLOOR

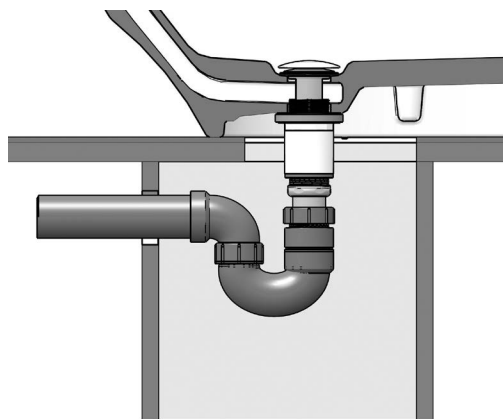
PLUMBING PREPARATION – FLOOR LAYOUT FOR PIPES AND ACCESS

Please refer to the CUTTING TEMPLATE provided with your CELESTIA bath.
 For more information about cutting templates please contact us at 1-800-463-2187.
 All cutting templates are available for consultation on our Web site bainultra.com.

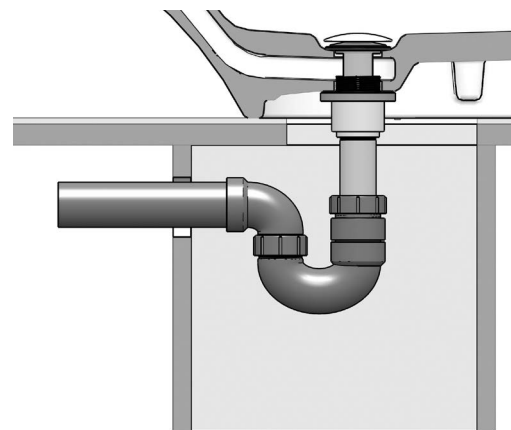


NOTE

The use of 4 x 4 wood blocks is recommended to facilitate access to plumbing components.



PVC DRAIN

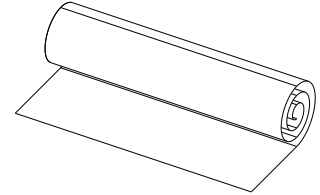


BRASS DRAIN

INSTALLATION WITHOUT ACCESS UNDER THE FLOOR

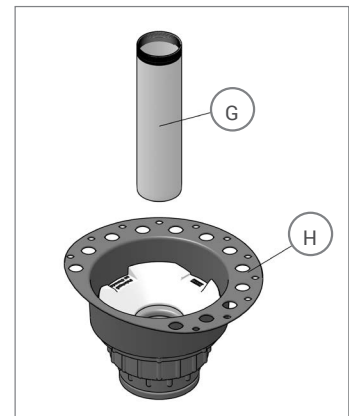
PLUMBING PREPARATION – FLOOR LAYOUT FOR PIPES AND ACCESS

Please refer to the CUTTING TEMPLATE provided with your CELESTIA bath.
For more information about cutting templates please contact us at 1-800-463-2187.
All cutting templates are available for consultation on our Web site bainultra.com.

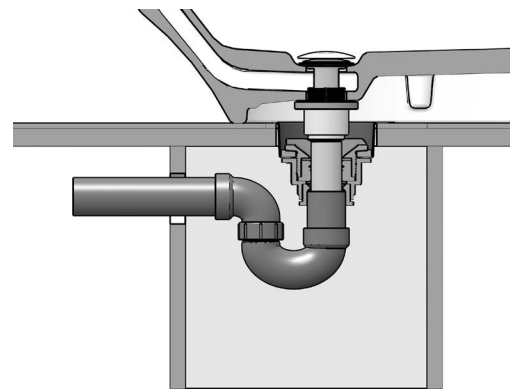
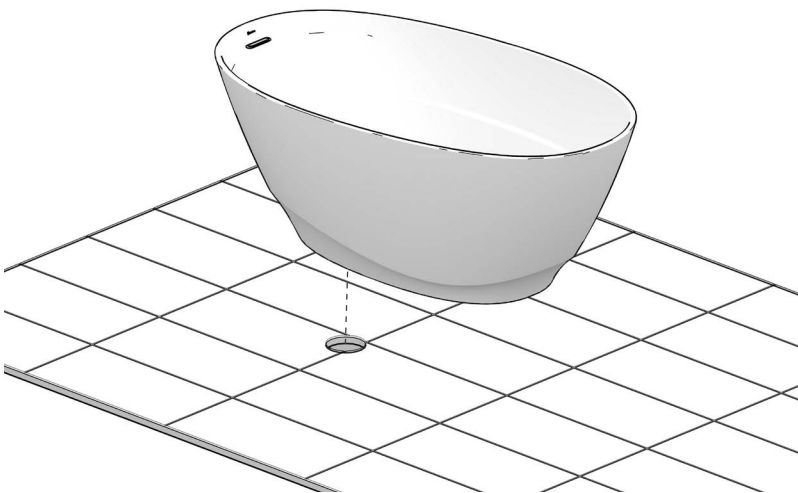


NOTE

- An Island Tub Drain (ITD) is recommended when no access is possible under the floor.
- **IMPORTANT: The Brass Drain is required with the ITD.**
- Refer to supplied instructions for ITD installation.
- The floor finishing material can cover the ITD up to the brass tailpiece.



ISLAND TUB DRAIN*

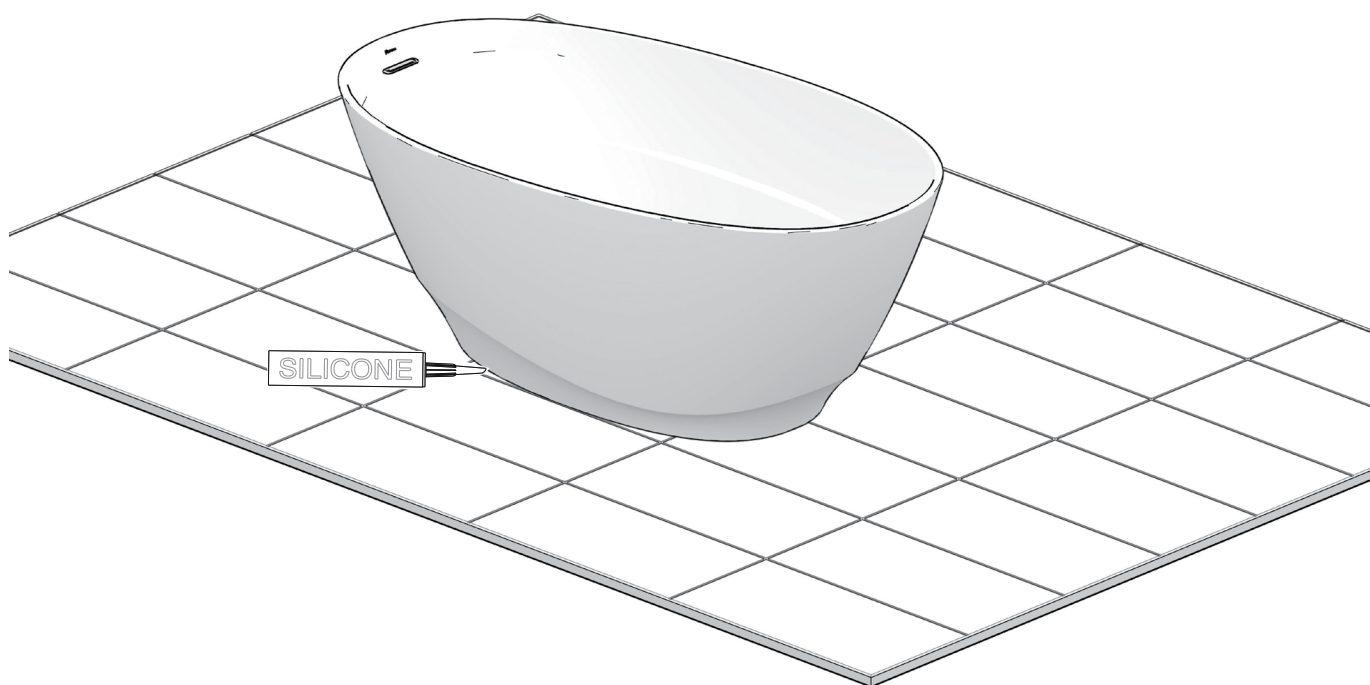


BRASS DRAIN

INSTALLATION

FINAL STEPS

- Make sure the floor is leveled. Use shims if needed.
- Apply a bead of silicone at the perimeter of the bath once on the floor.

**WATER LEAK TEST - IMPORTANT**

- Once plumbing is fully installed and before beginning any other work, do a leak test. Refer to page 4.

MAINTENANCE

FINESTONE™ SOLID SURFACE

- All Celestia™ models are made with FineStone™, BainUltra’s high quality solid surface material composed of refined minerals and pure liquid acrylic.

MINOR REPAIRS


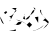
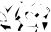
| | |
|-----------------------------------------------------------------------------------|------------------------|
|  | Scratch |
|  | Paper grade 180 |
|  | Paper grade 320 |

Table - Sandpaper grade



WARNING

ESSENTIAL OILS

Some essential oils can damage Finestone solid surface.

Any use of product containing methyl salicylate, such as wood tea tree oil, is prohibited, as well as oils essential of thyme, cloves and citrus fruits.

MAINTENANCE

- Clean the bath surface with a cloth and a mild non-abrasive soap.
- For stubborn stains, use isopropyl alcohol (rubbing alcohol), and rinse with water.
- For encrusted stains such as grease, oils, cosmetics, or marks left by rubbing with another object, use a “Magic Eraser®” type cleaning sponge and rinse with water. If stain remains, please refer to the Minor Repairs Table.
- To restore the original satin finish after intensive scrubbing, sand the rubbed portion in small circular movements with grade 320 sandpaper.
- For the use of any other cleaning products than those mentioned in this document, first make a test on a small, less visible surface before completely cleaning the bathtub.
- If in doubt, please contact our technical service.



BAINULTRA LIMITED WARRANTY 20 YEARS

LIMITED WARRANTY

This limited warranty is extended only to the original purchaser of the unit who has possession of his or her receipt of purchase, and is valid only when the unit has been purchased through an authorized Bains Ultra Inc. ("BainUltra") retailer and has been registered with BainUltra (registration not required for consumer purchasers domiciled in the Province of Québec). This warranty is not transferable under any circumstance. Please note that you are responsible for inspecting the product and all parts prior to installation. This warranty will not apply if a product with visible defects has been installed without providing notice to BainUltra of the defect.

Your BainUltra bath is covered by the best warranty in the industry. BainUltra guarantees your bath for a twenty-(20) year period from the original purchase date against defects in materials and workmanship.

The drain kit is guaranteed for a one-(1) year period from the original purchase date.

BainUltra products are designed for residential use only. BainUltra products used for commercial or display applications will be limited to a two-(2) year warranty against defects in materials and workmanship regardless of the specific nature of any potential defects.

BainUltra products sold outside of North America will be limited to a parts-only warranty through the dealer of the sale. Our service department will help diagnose any problems with your unit and will provide parts only for repairs or replacements covered by the warranty. All parts will be shipped to the dealer in North America. BainUltra will not be responsible for cost of shipping or servicing outside of North America. Any part that must be changed during the warranty period will be covered by the original warranty or for a two-(2) year period following replacement, according to the first contingency.

EXCLUSIONS

The above-stated limited warranty applies as long as: i) the damage is not caused by an accident, abuse, misuse, fire, insects, use of abrasive products, force majeure or an act of God. The above-stated limited warranty does not apply to:

i) Transport, handling or installation damages.

Moreover, this warranty is void if: i) your BainUltra bath is installed by anyone other than a licensed contractor; ii) your BainUltra bath has been modified or if any repairs have been attempted by anyone other than BainUltra, an authorized BainUltra dealer, or other representative of BainUltra; or iii) the unit is installed outdoors, or has not been installed in accordance with BainUltra's instructions, or in compliance with local codes and ordinances.

Any and all components that are not provided by BainUltra, as well as any items attached or installed on your BainUltra bath after the date of manufacture are expressly excluded from this limited warranty.

PROCEDURE

Any defect involving BainUltra's potential liability under this limited warranty shall be reported to BainUltra within ten (10) days of its occurrence. To assist you with your warranty, please contact BainUltra's customer service by email, telephone or fax between 8 a.m. to 6 p.m. Monday to Thursday (EST) or 8 a.m. to 5 p.m. on Friday (EST).

Email: info@bainultra.com

Tel.: 1 800 463-2187 or 418 831-7701

Fax: 1 800 382-8587 or 418 831-6623

BainUltra
956, chemin Olivier
Lévis, Québec
Canada G7A 2N1

Proof of purchase and date of purchase will be required. Units claimed to be defective shall be held until inspected by an authorized representative of BainUltra, and upon their specific instructions, units found to be defective will be repaired or replaced at BainUltra's exclusive choice. The liability of BainUltra with respect to the sale of this unit shall be limited to repair or replacement by a similar product as provided above and does not include any cost of removal, reinstallation, transport and shipping of defective product, loss of time, salary or any other expenses as well as any consequential damages of any kind.

BainUltra and its representatives shall not be liable for any injury, loss, cost or other damage, whether direct, consequential, incidental, or special, that arise from any defect covered under this limited warranty, even if BainUltra has been advised of the possibility of such damage. Some states and provinces may not allow the exclusion or limitation of incidental or consequential damages, so the above limitation or exclusion may not apply to you, but these limitations or exclusions will be enforced to the maximum extent of the law.

LIMITATIONS

Except for consumer purchasers domiciled in the Province of Québec, and except to the extent prohibited by applicable law, this limited warranty replaces all other warranties, expressed or implied, in fact or at law, including implied warranties based on course of dealing, usage of trade, and merchantability and fitness for a particular purpose. (Inapplicable in Québec). The terms of this limited warranty cannot be modified or extended in any way whatsoever by any agent, dealer, distributor, service company or party other than BainUltra.

BainUltra excludes any statement in any advertisement or instruction, any picture, or any guideline as an express warranty for our products. We recognize that some states and provinces may not allow limitations on implied warranties, so the above limitations and exclusions may not apply to you, but they will be enforced to the maximum extent of the law.

LEGAL RIGHTS

This limited warranty gives specific legal rights and is not applicable if it interferes with any law or regulation in any state, province or country.