



LIBRA COLLECTION

INSTALLATION INSTRUCTIONS

IMPORTANT INFORMATION FOR THE INSTALLER AND THE OWNER

TABLE OF CONTENT

- IMPORTANT SAFETY INSTRUCTIONS 4
- PARTS & TOOLS 6
- SITE PREPARATION 8
- INSTALLATION WITH ACCESS UNDER THE FLOOR 10
 - 1** PLUMBING 11
 - 2** INSTALLATION 12
- INSTALLATION WITHOUT ACCESS UNDER THE FLOOR 13
 - 1** PLUMBING - ISLAND TUB DRAIN (ITD) INSTALLATION 14
 - 2** INSTALLATION 15
- REMOTE MOUNTING OF TURBINE 15
 - 1** TURBINE & GEYSAIR (THERMOMASSEUR) 17
 - 2** INSTALLATION 18
 - 3** ELECTRICAL CONNECTION (THERMOMASSEUR) 18
- ELECTRONIC CONTROLS 20
 - 1** MIAPLUS 20
 - 2** DOT 20
- ELECTRICAL SECTION 21
 - 1** ELECTRICAL CONNECTIONS FOR REMOTE MOUNTING OF TURBINE AND THERAPIES 21
 - 2** ELECTRICAL CONNECTIONS FOR REMOTE MOUNTING OF THERAPIES (BATHS WITHOUT AIR JETS) 22
 - 3** ELECTRICAL DIAGRAMS 23
- CUTTING TEMPLATE OF MIAPLUS® CONTROL 24

LIBRA COLLECTION



LIBRA 6632



LIBRA AURORA 6634



LIBRA OVAL 6635



LIBRA STELLA 7038

NOTE • These insallation instructions are effective for the four (4) Libra models shown.
The Libra 6632 will be used as an example only.

IMPORTANT SAFETY INSTRUCTIONS

PERTAINING TO RISKS OF FIRE, ELECTROCUTION OR PERSONAL INJURY

READ AND FOLLOW ALL INSTRUCTIONS • SAVE THESE INSTRUCTIONS

THIS DOCUMENT SUPERCEDES THE INSTALLATION INSTRUCTION IN THE OWNER'S MANUAL.

 **WARNING**

- Risk of hyperthermia; people using medication and/or having an adverse medical history should consult a physician before using a Hydro-thermo massage® bathtub equipped with a heater.
- Risk of hyperthermia and possible drowning; do not use a Hydro-thermo massage® bathtub equipped with heater immediately following strenuous exercise.
- Risk of fetal injury; pregnant or possibly pregnant women should consult a physician before using a Hydro-thermo massage® bathtub equipped with a heater.
- Risk of accidental injury or drowning; do not use drugs or alcohol before or during the use of a Hydro-thermo massage® bathtub equipped with a heater.
- Use this unit only for its intended purposes or as described in this manual. Use only accessories or devices recommended by the manufacturer.
- Risk of hyperthermia and possible drowning; check and adjust water temperature before use. Water temperature exceeding 100°F (38°C) may be harmful to your health.
- To reduce the risk of injury, as with any other conventional bath, do not allow children or physically impaired people to use this unit unless they are closely supervised at all times.
- To avoid injury, exercise care when entering or exiting the bathtub.
- The Geysair should always be connected to the hot water intake. If it is not the case, then, the Geysair should be deactivated via the bath control.

RISK OF ELECTRICAL SHOCK


- Disconnect electric power before servicing.
- Do not permit electrical appliances (hair dryer, lamp, telephone, radio, television, etc.) within 5' (1,5 m) of the Thermomasseur®.
- Before using the Thermomasseur®, its installation should be completely finished so that a bather cannot accidentally come in contact with electrical components (turbine and power module).
- For indoor use only.

**IMPORTANT SAFETY INSTRUCTIONS (cont'd)
PERTAINING TO RISKS OF FIRE, ELECTROCUTION OR PERSONAL INJURY**

**READ AND FOLLOW ALL INSTRUCTIONS
SAVE THESE INSTRUCTIONS**

THIS DOCUMENT SUPERCEDES THE INSTALLATION INSTRUCTIONS IN THE OWNER'S MANUAL.

ELECTRICAL CONNECTIONS:

- Never drop or insert objects into any openings.
- The Thermomasseur® must be connected only to a supply circuit that is protected by a 20 amp class A ground fault circuit interrupter (GFCI). Optional therapies such as Chromatherapy and/or 2nd heated backrest and/or WarmTouchShell® must be connected to a supply circuit that is protected by a 15 amp class A ground fault circuit interrupter (GFCI). This interrupter is supplied by a certified electrician and must be tested on a regular basis in accordance with manufacturer's instructions. The GFCI ground must be connected. If defective, do not use the Thermomasseur®. Disconnect immediately and call a certified electrician.
- Use 12 AWG (for 20 amp dedicated circuit) and 14 AWG (for 15 amp dedicated circuit) copper conductors that resist temperatures of at least 194° F (90° C)
- Canada only: for permanently connected units. A green-colored terminal (or a wire connector marked g., gr., ground or grounding) is provided within the terminal compartment (not applicable if unit supplied with an electric plug). To reduce the risk of electrocution, connect this terminal or connector to the grounding terminal of your electric service or supply panel with conductor equivalent in size to the circuit conductors supplying the equipment and be 12 AWG or more.
- All electrical connections must be carried out by a certified electrician and must respect federal, provincial/state, and local building codes and regulations.
- Install in accordance with manufacturer's installation instructions.
- For Geysair-equipped baths using remote turbine installation (not mounted on the bath), grounding continuity must be tested between the bath grounding terminal  and the bath power supply. Failure to perform the grounding continuity test could result in serious personal injury.

WATER LEAK TEST - IMPORTANT

- Once plumbing is fully installed and before beginning any other work, fill the ThermoMasseur® with water to overflow level and wait 30 minutes. Check all plumbing hook-ups and bath for leaks. BainUltra® is not responsible for any water damage caused by improper installation (see Warranty section in the Owner's Manual).

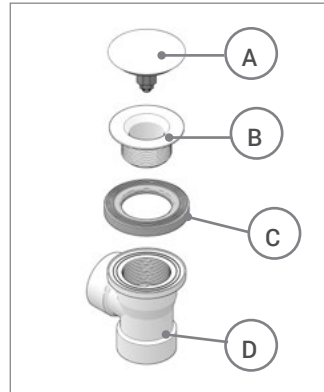
PARTS & TOOLS REQUIRED

STANDARD PARTS - PLUMBING

	DESCRIPTION	QTY
A	Plated drain clicker	1
B	Strainer	1
C	Rubber seal	1
D	Tee PVC Drain shoe	1

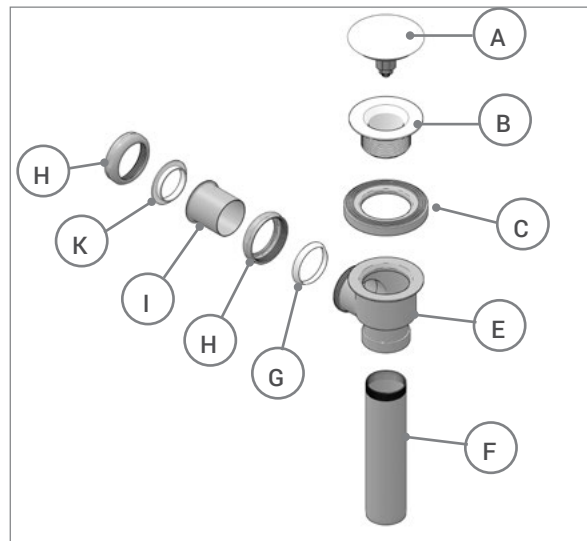
OPTIONAL PARTS - PLUMBING

	DESCRIPTION	QTY
E	Tee brass drain shoe	1
F	8 in. brass tailpiece	1
G	Nylon conic shaped seal for drain	1
H	Brass nut	2
I	Brass pipe with flange	1
J	Island Tub Drain (ITD) Floor set	1
K	Nylon flat seal with flange	1

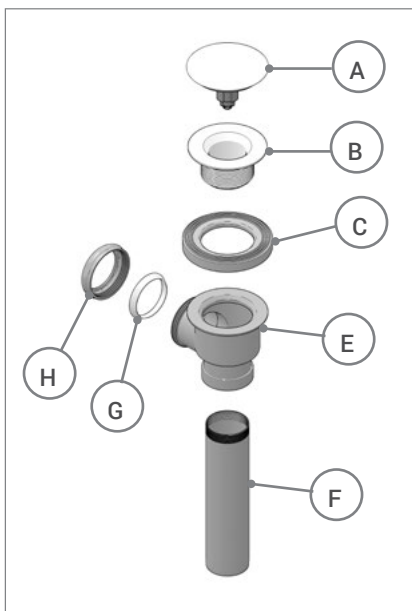


PVC DRAIN

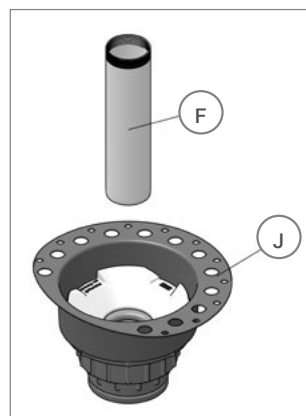
PVC & BRASS DRAIN



BRASS DRAIN



ISLAND TUB DRAIN*

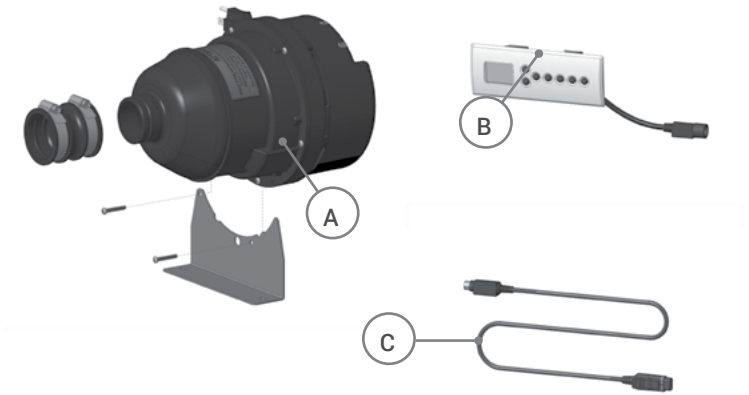


*: REQUIRED WHEN NO ACCESS IS POSSIBLE UNDER THE FLOOR.

PARTS & TOOLS REQUIRED

STANDARD PARTS – THERMOMASSEUR®

	DESCRIPTION	QTY
A	Turbine	1
B	MiaPlus® Control	1
C	15' control cable	1



PARTS & TOOLS

Cutting template
48-inch level
Measuring tape
Teflon tape
ABS & PVC Glue
Square/Phillips #2 Screwdriver
3/4" Ratchet
Adjustable clamps



SITE PREPARATION

PLUMBING

- See faucet manufacturer's specifications for zoning and plan water supply location accordingly.
- Position drain according to bath's technical specifications.
- Leave access to Geysair junction hose.

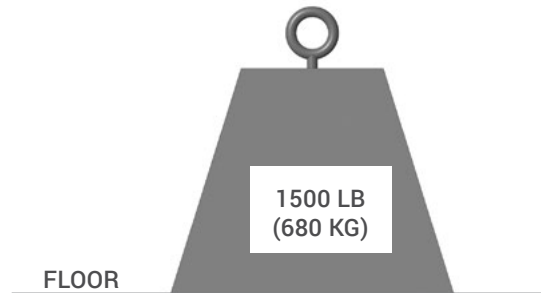
WARNING

- Libra freestanding bath cannot be drilled for faucet installation. Faucets must be freestanding or wall-mounted models.

BEDDING

Before installing, ensure that the floor underneath the bath can support 1500 lb (680 kg). No special bedding installation is recommended by manufacturer, the bathtub can sit directly on the floor.

If the bath is installed on the ground floor or basement (concrete slab), the opening under the bath must be airtight to avoid condensation.



There is a technical specification sheet for each BainUltra® ThermoMasseur® which includes information such as necessary dimensions of site before installation. If you do not already have the technical specifications, download it from the BainUltra® Website at: bainultra.com or call us at: 1 800 463-2187.

SITE PREPARATION

TURBINE - REMOTE INSTALLATION

1. A 1 ½ inch ID pipe has to run from the tub, back to the turbine location. This pipe can be PVC Tigerflex (spa hose) or rigid PVC or ABS
2. Maximum distance is 15 feet from the tub, indoors, in a room temperate setting (not outdoors or in a non-temperature controlled area)
3. Minimum size for an enclosure for the turbine: 16" x 16" x 16"
4. Make sure to leave access for servicing needs
5. The enclosure should have a minimum 4x2 inch opening so the turbine works properly. Not doing so will starve the blower of air. It will eventually fail and void its warranty
6. A 20 Amp GFCI (12 AWG) 120V dedicated line is needed for the turbine (Geysair is powered by the turbine). If you have additional options on the bath (one or more) a second dedicated line is needed, 15 Amp GFCI 120 V (14AWG)

GEYSAIR®

1. Geysair is installed on the tub from the factory and must not be relocated. It gets its power from your turbine. So per your local electrical code, you may have to use a solid core wire (14 AWG) and run it in between the blower location and the tub. This may require a proper conduit for high voltage wires if installed in a cement slab for example.
2. Geysair connects to the hot water line that you are providing to your faucet at the tub. It uses a 3/8 compression thread.

LED (CHROMATHERAPY)

1. The power modules (inMix module, Litestreme) have to be installed next to the turbine.
2. The wires have to be sent from the tub back to the turbine location.
LED: Low voltage for the Chromatherapy .

ELECTRONIC CONTROL (KEYPAD)

1. A large majority of our freestanding tubs require that the keypad be installed on the wall and not on the tub. You can use silicone to adhere it to your wall instead of the bracket and wing nuts.
2. The keypad should be in line of sight from the tub sitting position.
3. The keypad (low voltage wire) has a 15 foot cable that has to run from the wall position back to the turbine. Extensions are available if needed.
4. You can use a conduit to feed this wire as well if needed.

ISLAND TUB DRAIN

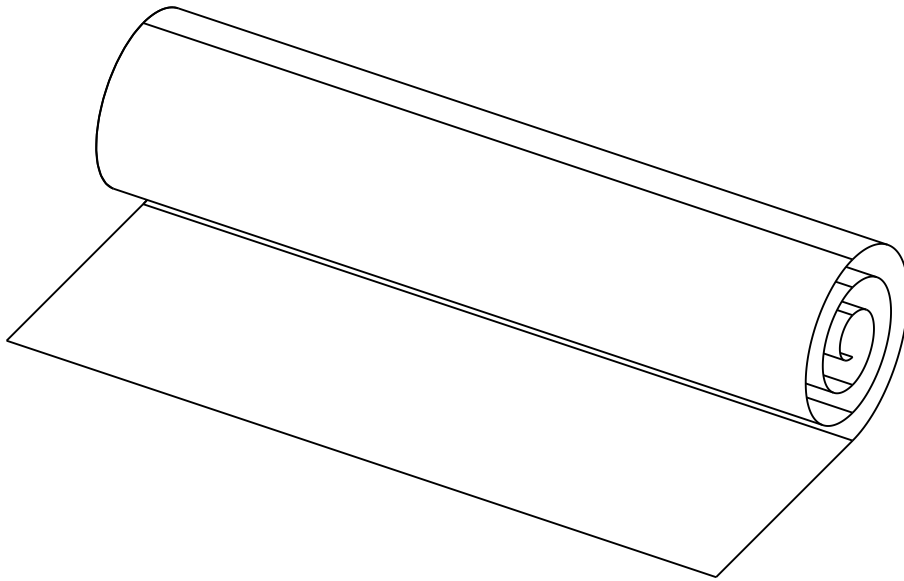
1. The ITD is strongly recommended when you have no access under the floor.
Refer to: INSTALLATION WITHOUT ACCESS UNDER THE FLOOR, page 13.

If you have any other questions, please give us a call at technical support (1-888-763-4444).

INSTALLATION WITH ACCESS UNDER THE FLOOR

PLUMBING PREPARATION – FLOOR LAYOUT FOR PIPES AND ACCESS

LIBRA

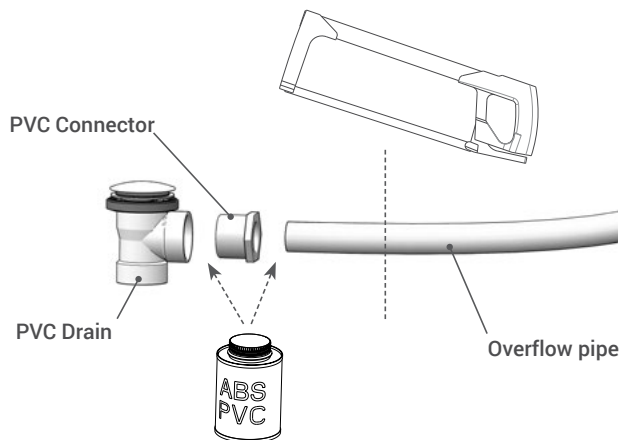
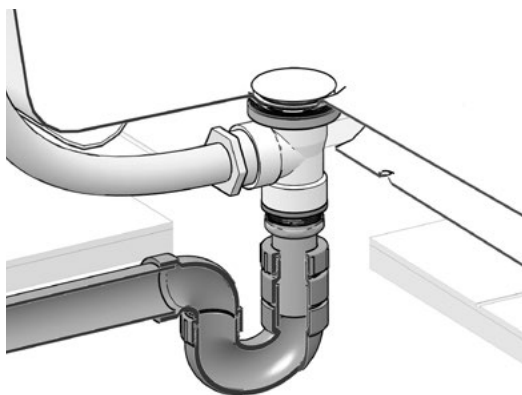


NOTE: Please refer to the Cutting Template provided with your Libra bath.
However, if it is missing, please contact us at 1-800-463-2187 to order it.
Available on our website at BainUltra.com.

INSTALLATION WITH ACCESS UNDER THE FLOOR

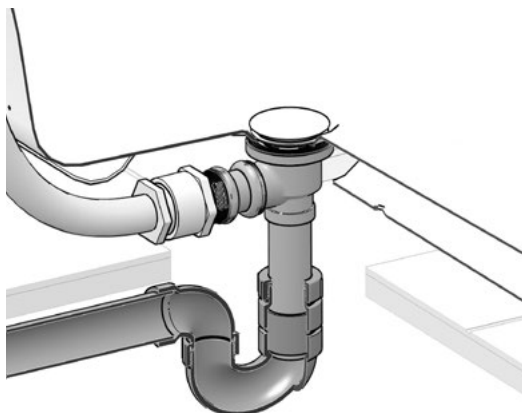
1 PLUMBING

PVC DRAIN

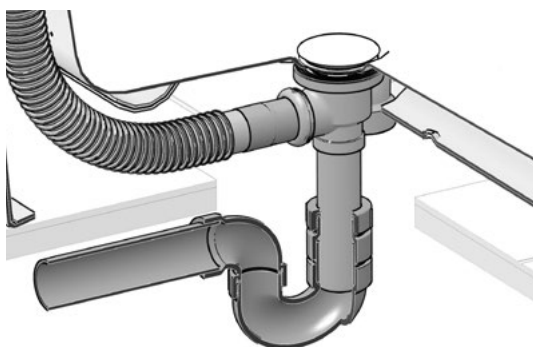


NOTE: If necessary, cut the overflow pipe to the desired length, and glue it to the PVC connector and to the drain.

PVC & BRASS DRAIN



BRASS DRAIN



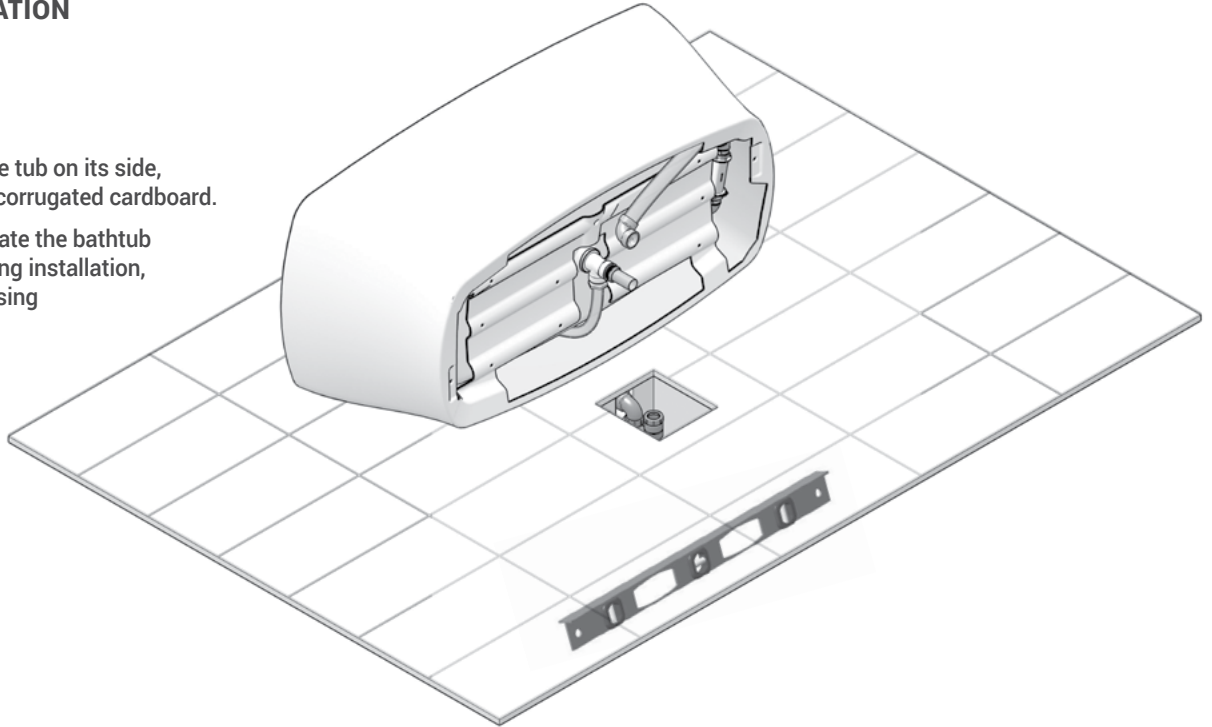
INSTALLATION WITH ACCESS UNDER THE FLOOR

2 BATH INSTALLATION



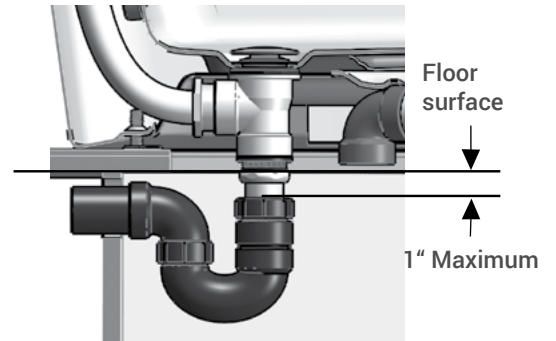
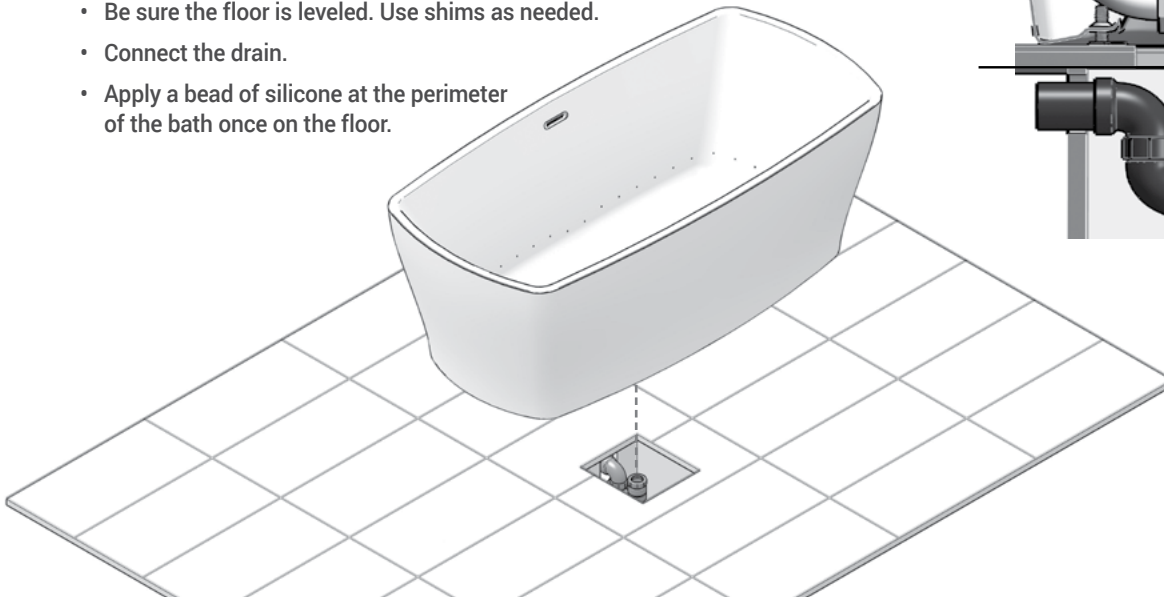
HELPFUL TIPS:

- Carefully place the tub on its side, on a blanket or a corrugated cardboard.
- To easily manipulate the bathtub in a safe way during installation, we recommend using moving straps.



STEPS TO FOLLOW

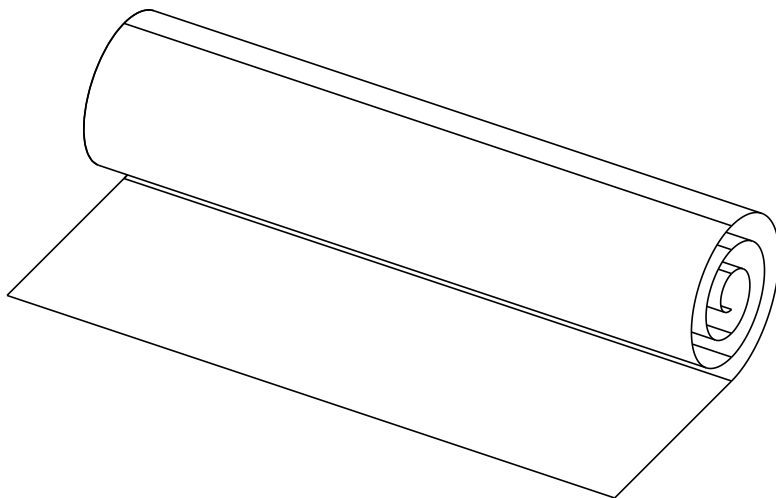
- Do not remove the protective plastic film on the tub and place a drop-cloth in the tub during installation to protect the acrylic.
- Be sure the floor is leveled. Use shims as needed.
- Connect the drain.
- Apply a bead of silicone at the perimeter of the bath once on the floor.



INSTALLATION WITHOUT ACCESS UNDER THE FLOOR

PLUMBING PREPARATION – FLOOR LAYOUT FOR PIPES AND ACCESS

LIBRA



NOTE: Please refer to the Cutting Template provided with your LIBRA bath.
However, if it is missing, please contact us at 1-800-463-2187 to order it.
Available on our website at BainUltra.com.

INSTALLATION WITHOUT ACCESS UNDER THE FLOOR

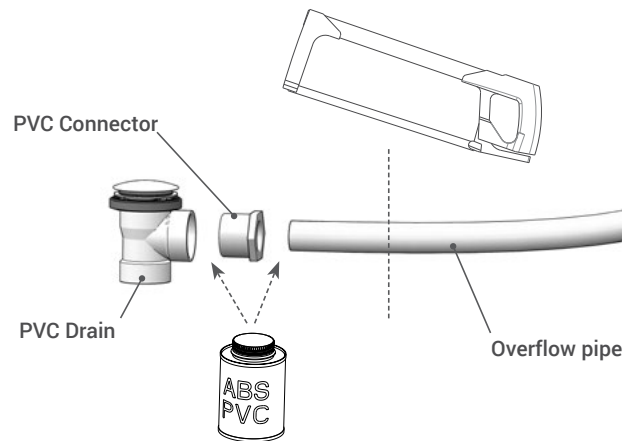
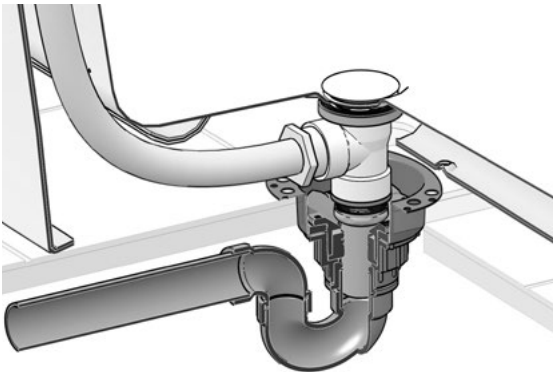
1 PLUMBING - ISLAND TUB DRAIN (ITD) INSTALLATION



NOTE

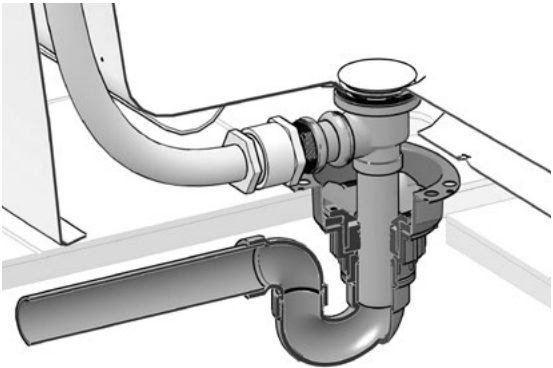
- Refer to supplied instructions for Island Tub Drain (ITD) installation.
- The floor finishing material can go over the red center piece of the ITD. The red center piece connects to the brass tailpiece.

PVC DRAIN

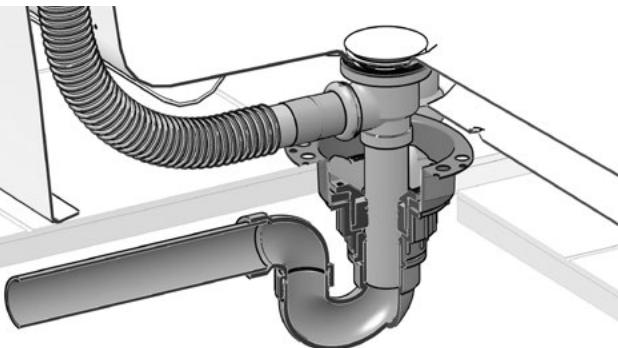


NOTE: If necessary, cut the overflow pipe to the desired length, and glue it to the PVC connector and to the drain.

PVC & BRASS DRAIN



BRASS DRAIN



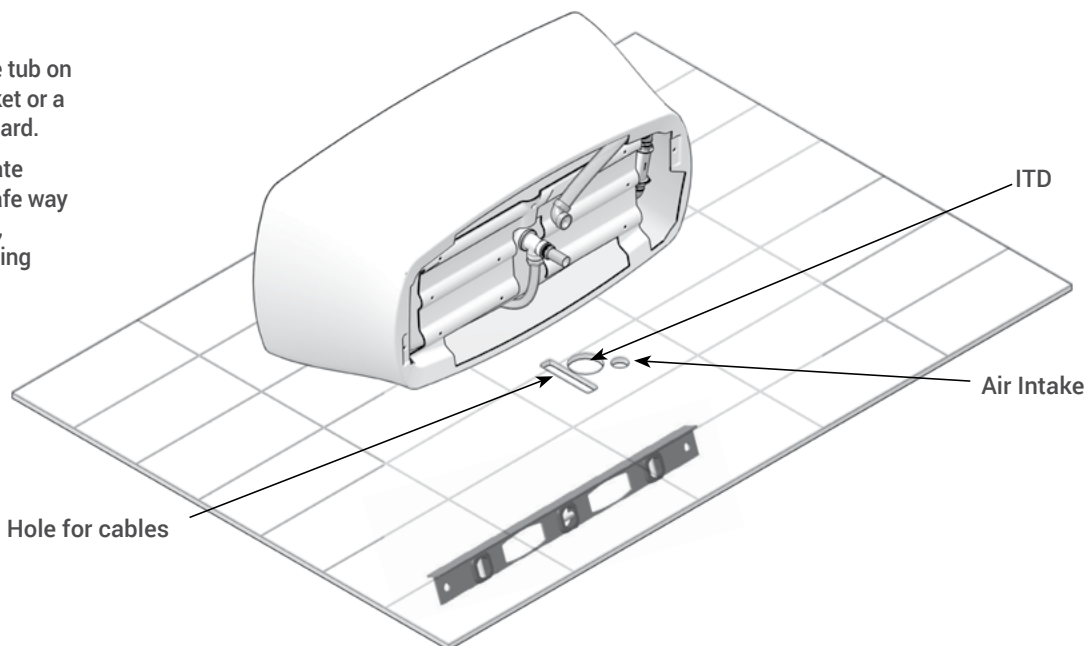
INSTALLATION WITHOUT ACCESS UNDER THE FLOOR

2 BATH INSTALLATION



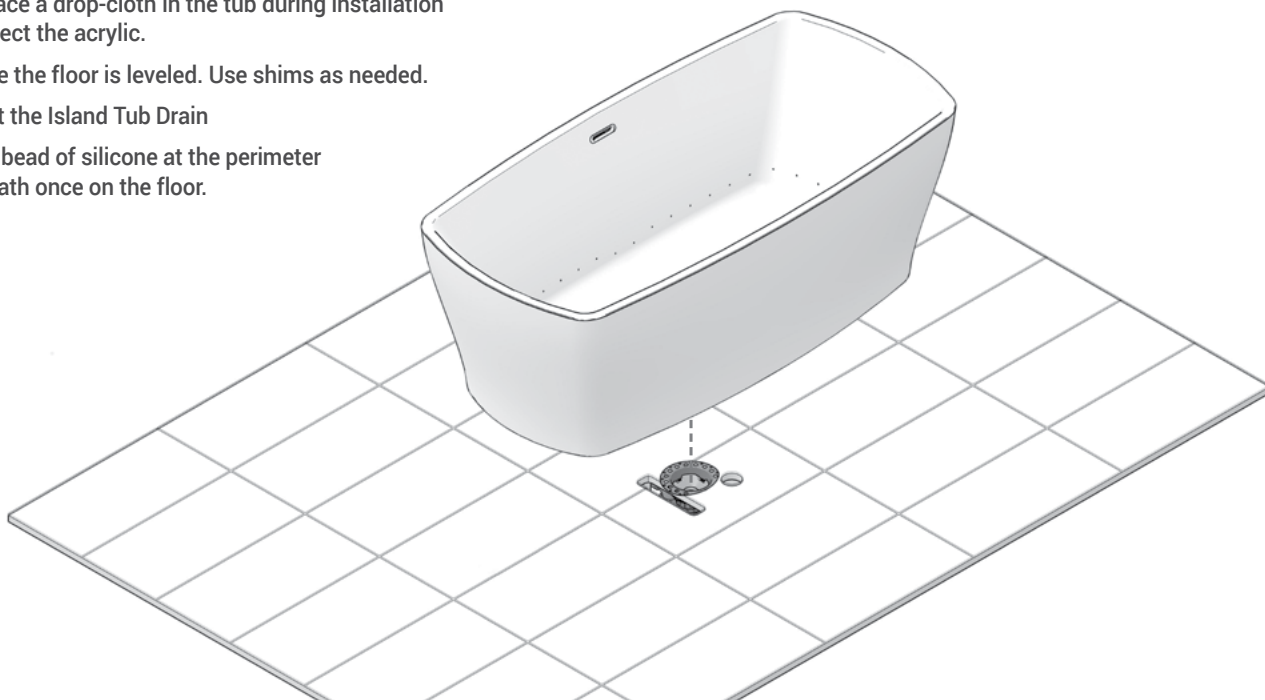
HELPFUL TIPS:

- Carefully place the tub on its side, on a blanket or a corrugated cardboard.
- To easily manipulate the bathtub in a safe way during installation, we recommend using moving straps.



STEPS TO FOLLOW

- Do not remove the protective plastic film on the tub and place a drop-cloth in the tub during installation to protect the acrylic.
- Be sure the floor is leveled. Use shims as needed.
- Connect the Island Tub Drain
- Apply a bead of silicone at the perimeter of the bath once on the floor.



INSTALLATION WITHOUT ACCESS UNDER THE FLOOR

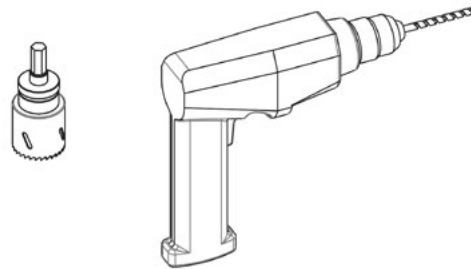
⚠ WARNING

IF THE CONNECTIONS OF THE AIR CONDUIT AND THE ELECTRICAL SUPPLY OF THE THERAPEUTIC OPTIONS MUST BE DONE AT FLOOR LEVEL, YOU MUST CUT AN OPENING ON ONE OF THE WALLS CLOSEST TO TURBINE AND CONTROLS.

- Be careful not to drill the inside shell of the bath.
- The size of the opening must allow for passage of the conduit and the wires.

TOOLS REQUIRED

- | |
|-------------------|
| Drill |
| 1/4 in. drill bit |
| Hole saw |



- | |
|--|
| <ul style="list-style-type: none"> • Air conduit* • Geysair hose • Electric cables (optional therapies) |
|--|

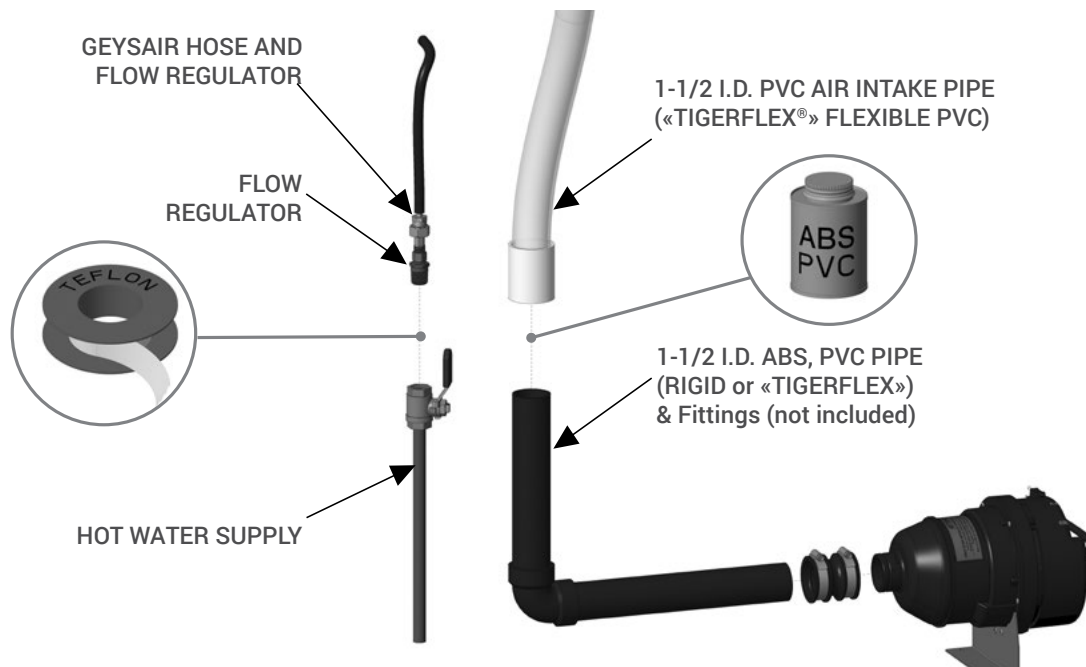


(*): The location of the air conduit is shown as an example. It may differ depending on the positioning of the remote components and the orientation of the bath.



REMOTE MOUNTING OF TURBINE

1 TURBINE & GEYSAIR INSTALLATION (FOR THERMOMASSEUR®)

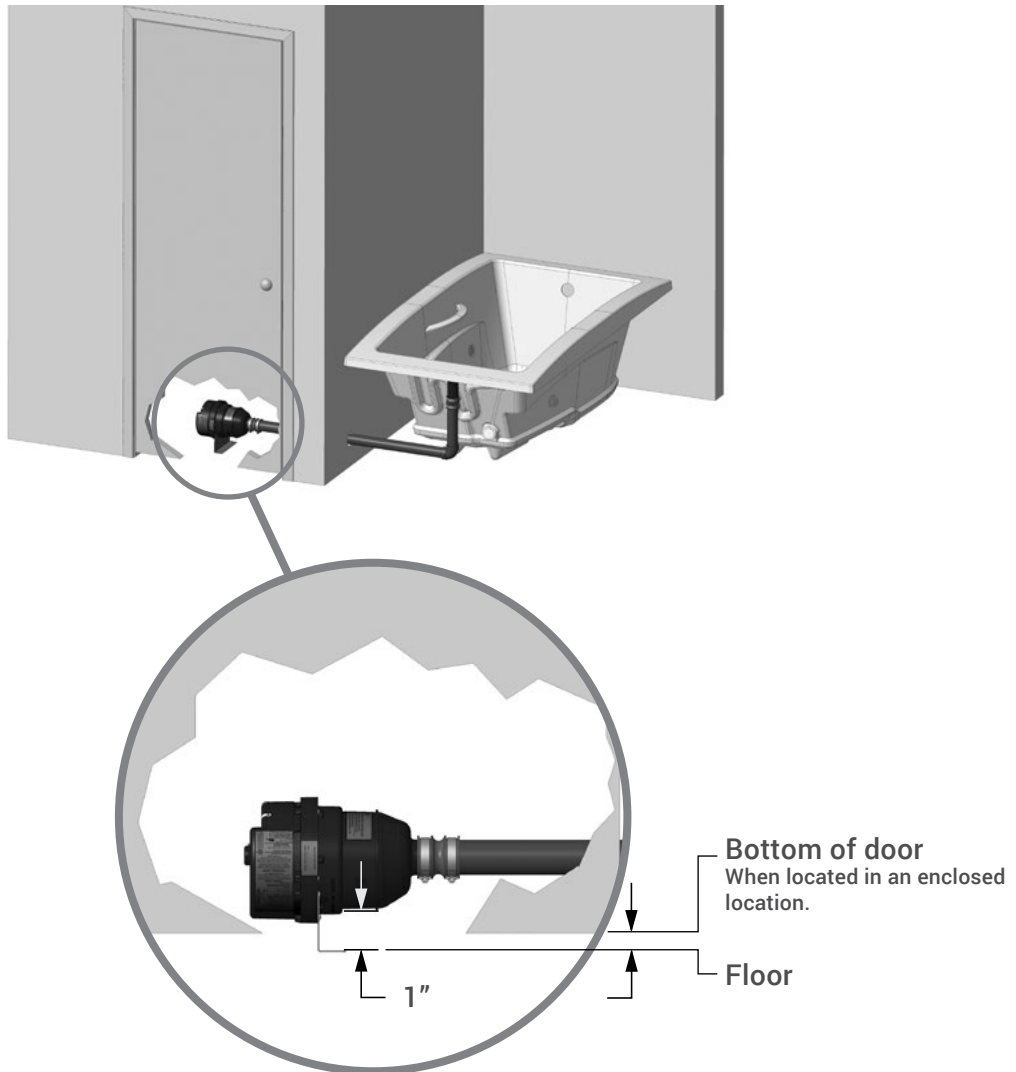


! WARNING

- Access to Geysair® hot water connections is necessary for cleaning of the filter. (Back flow preventor)
- Geysair® cannot be remotely installed. Must never be unplugged.

REMOTE MOUNTING OF TURBINE

2 REMOTE MOUNTING OF TURBINE



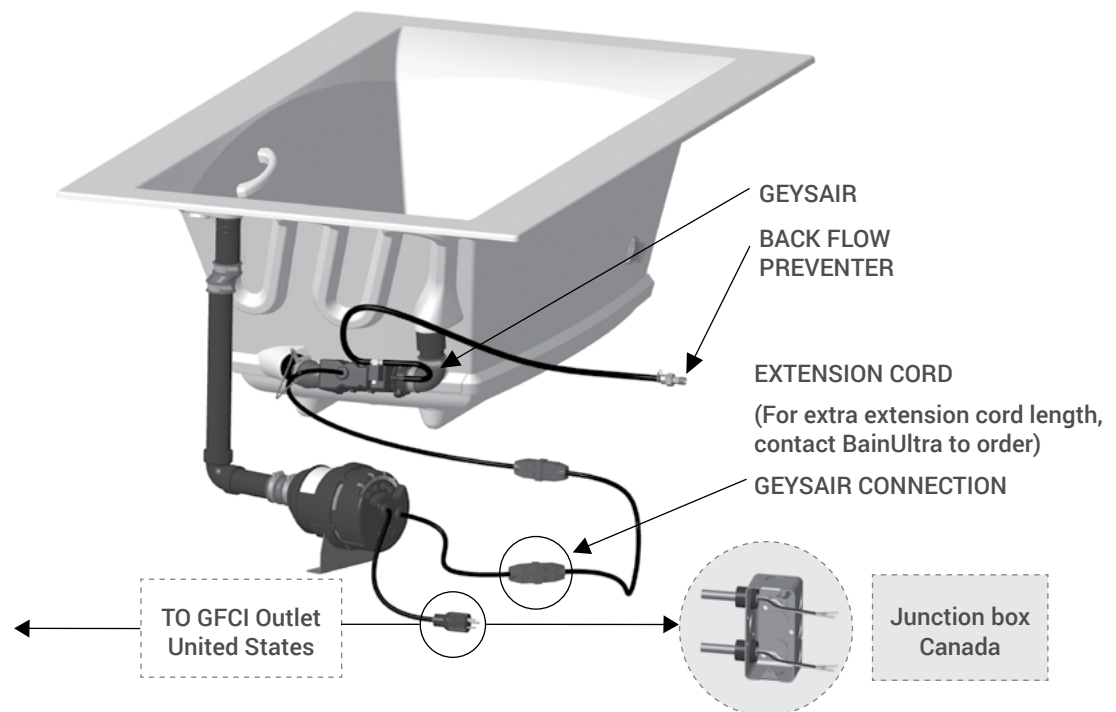
WARNING

- Choose a location for the turbine with the shortest possible distance from the Thermomasseur[®] bath, no more than 15 ft. (4,6m), and a maximum of six elbow directional changes to ensure system performance. It can be under the floor, in a closet or any other place that can hide the turbine and if needed optional modules. Easy access must remain possible at all time and sufficient air ventilation is necessary for turbine.
- A service access is necessary. Minimum dimensions are 22 in. x 18 in. (55 cm x 46 cm) to properly reach all electrical components of the system.
- An air vent is necessary. Minimum dimensions are: 2 in. x 4 in. (5 cm x 10 cm) to ensure proper functioning of the turbine.
- Geysair[®] cannot be remotely installed.


REMOTE MOUNTING OF TURBINE

3 REMOTE MOUNTING OF TURBINE - ELECTRICAL CONNECTIONS (THERMOMASSEUR®)

- See page 23 for electrical diagram



! WARNING

- For Geysair® equipped baths using remote turbine installation (not mounted on the bath), grounding continuity must be tested between the bath grounding terminal  and the bath power supply. Failure to perform the grounding continuity test could result in serious personal injury.

! NOTE

- ELECTRICAL CONNECTIONS FOR REMOTE MOUNTING OF TURBINE AND THERAPIES - SEE PAGES 21-22

ELECTRONIC CONTROLS

1 ELECTRONIC CONTROL INSTALLATION – MIAPLUS®

LOCATION: Determine the most convenient location, on the wall close to tub.

⚠ WARNING

- Libra freestanding bath cannot be drilled for control installation.
- DRILLING OF WALL: Refer to the Cutting Template on page 24 for the location and diameter of the holes.

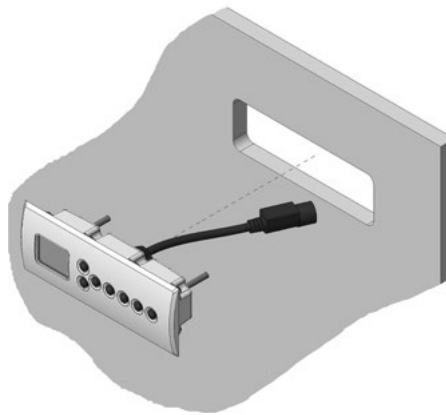
TOOLS REQUIRED

- Jig saw with fine cut blade
- Drill
- 1/4 in. drill bit

KEYPAD INSTALLATION

- Drill wall (template).
- Remove the metal bracket not required for wall mounting
- Push wiring through drilled holes.
- Remove protective film from watertight seal.
- Secure to the wall with permanent waterproof sealant (mold-free clear silicone for bathrooms).
- Secure temporarily with a tape for about 24 h.

WALL INSTALLATION



2 ELECTRONIC CONTROL INSTALLATION – DOT

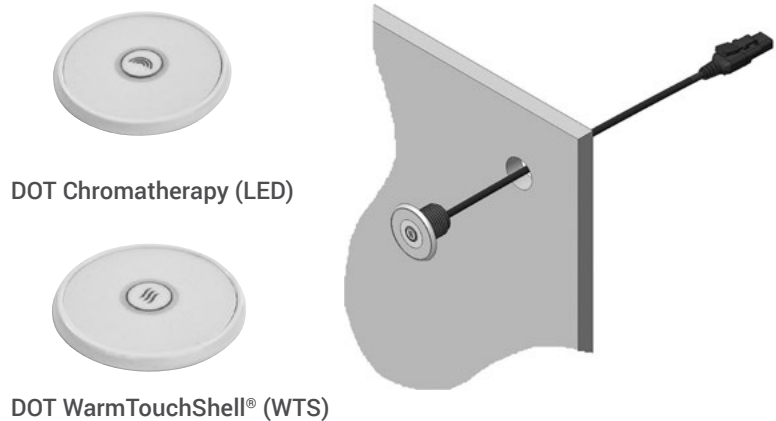
TOOLS REQUIRED

- 7/8 in. Hole saw
- Drill

KEYPAD INSTALLATION

- Drill wall (7/8" hole).
- Push wiring through drilled holes.
- Remove protective film from watertight seal.
- Secure to the wall with permanent waterproof sealant (mold-free clear silicone for bathrooms).
- Secure temporarily with a tape for about 24 h.

WALL INSTALLATION



IMPORTANT

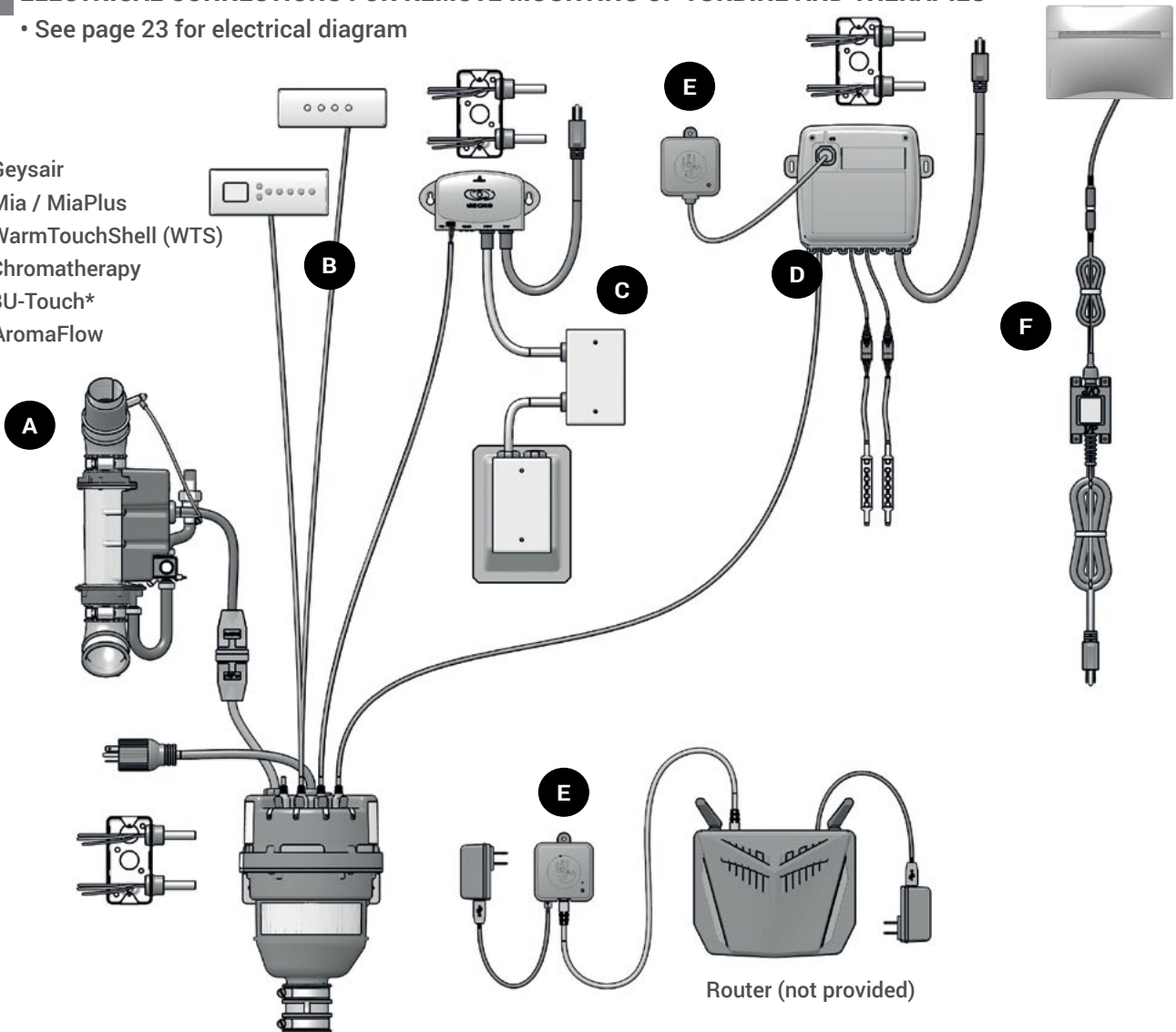
- You will find the control attached to the turbine, or to the electronic control modules.

ELECTRICAL SECTION

1 ELECTRICAL CONNECTIONS FOR REMOTE MOUNTING OF TURBINE AND THERAPIES

• See page 23 for electrical diagram

- A: Geysair
- B: Mia / MiaPlus
- C: WarmTouchShell (WTS)
- D: Chromatherapy
- E: BU-Touch*
- F: AromaFlow



NOTE: Connections may differ depending on the bath model and options.

! WARNING

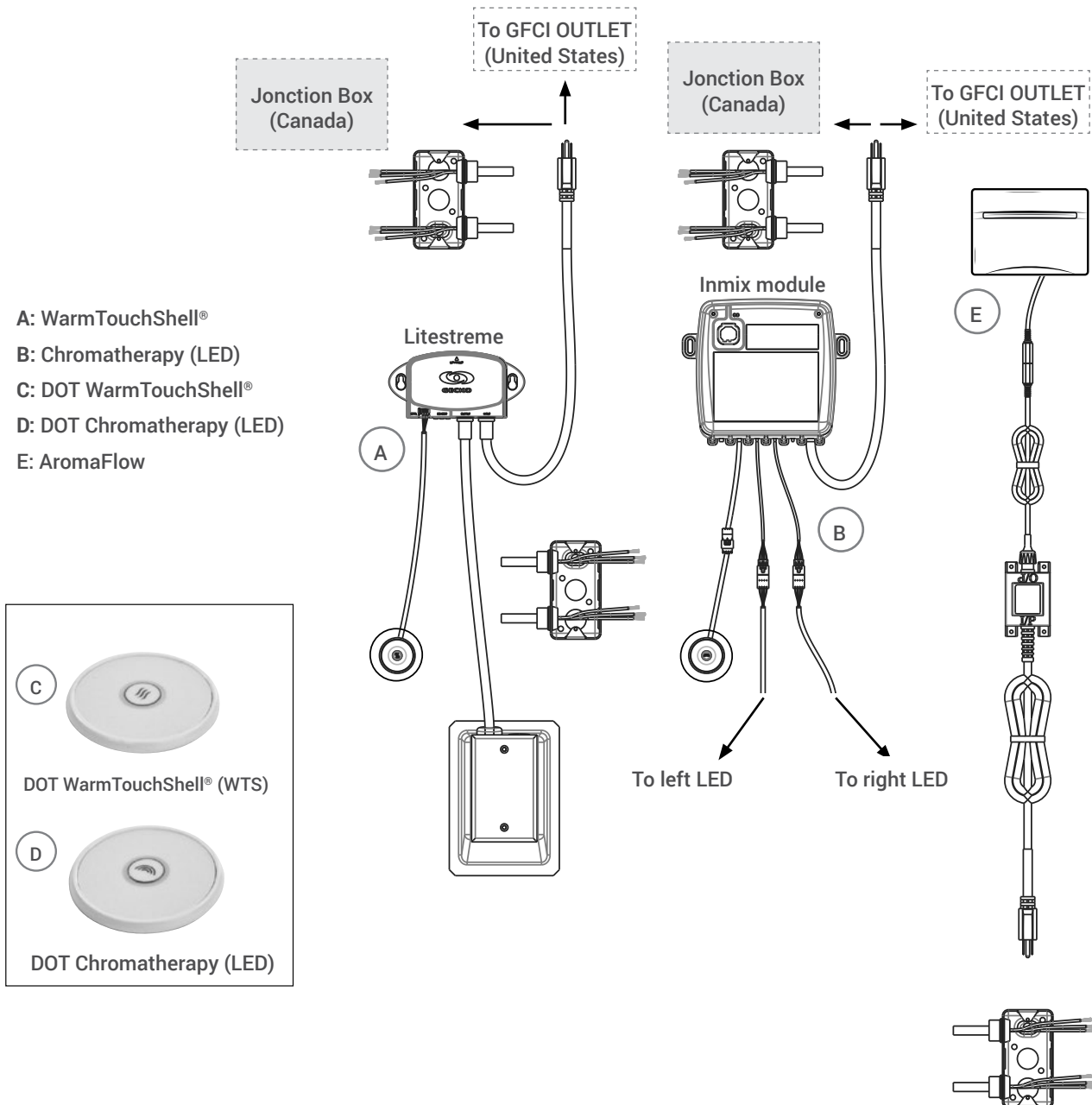
- All electrical connections must be carried out by a certified electrician and must respect federal, provincial/state, and local building codes and regulations.
- Electrical power should be turned on only after all the low voltage wires are connected to turbine.
- If this step has not been done, simply disconnect main breaker that is linked to turbine.
- Turbine must be located in a clean and dry space.
- Geysair component cannot be remote mounted. Must never be unplugged.

* BU-Touch is a virtual control application that activates all the options of the ThermoMasseur Air jets bath from your mobile device. Please refer to BU-TOUCH Quick Start Guide: www.bainultra.com/butouch-guide.

ELECTRICAL SECTION

2 ELECTRICAL CONNECTIONS FOR REMOTE MOUNTING OF THERAPIES (WITHOUT AIR JETS)

• See page 23 for electrical diagram



WARNING

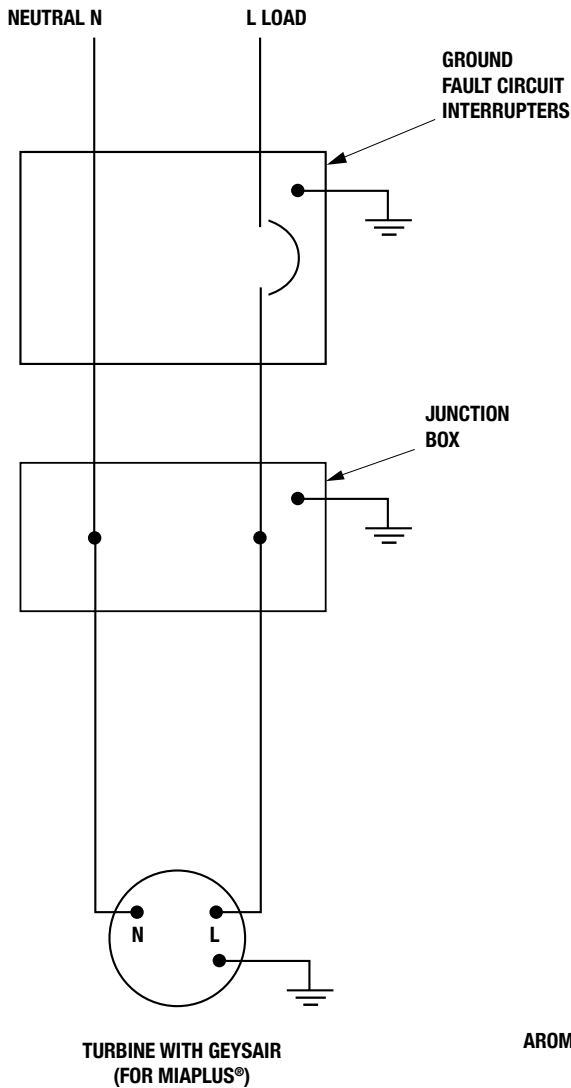
• Libra freestanding bath cannot be drilled for faucet installation. Faucets must be freestanding or wall-mounted models.



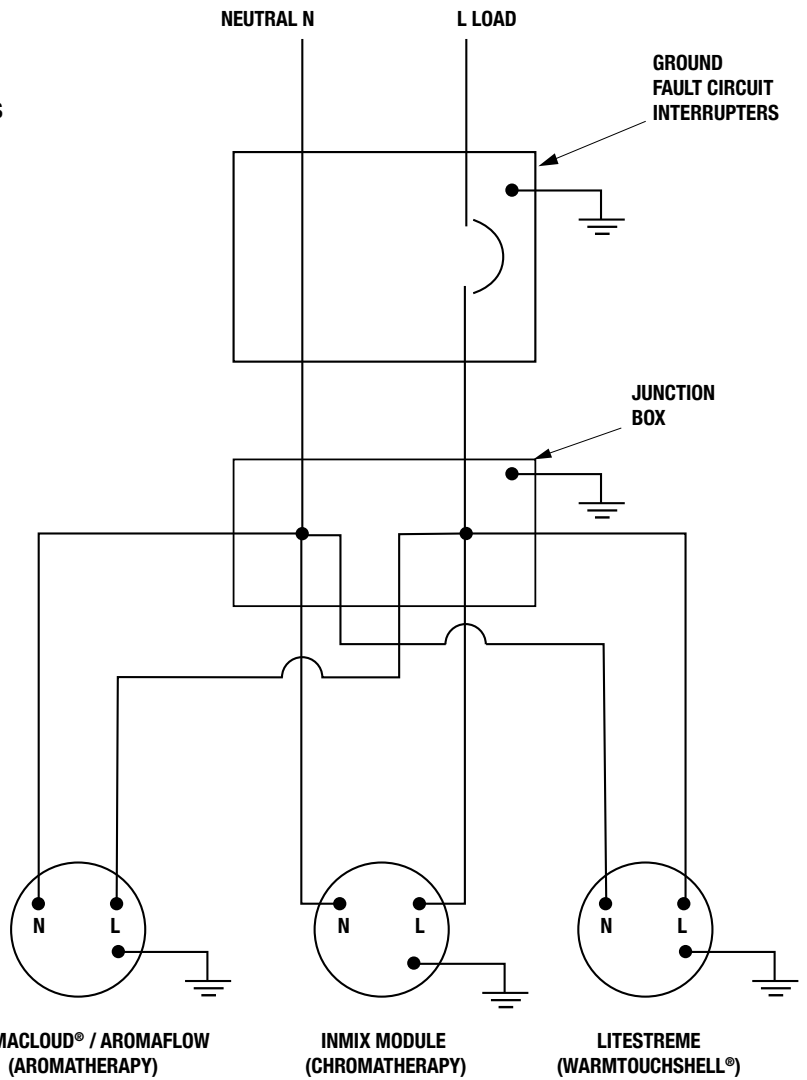
ELECTRICAL SECTION

3 ELECTRICAL DIAGRAM – 20A THERMOMASSEUR® and 15A THERAPY

20A CIRCUIT



15A CIRCUIT



CUTTING TEMPLATE OF MIAPLUS® CONTROL

FOR WALL INSTALLATION

