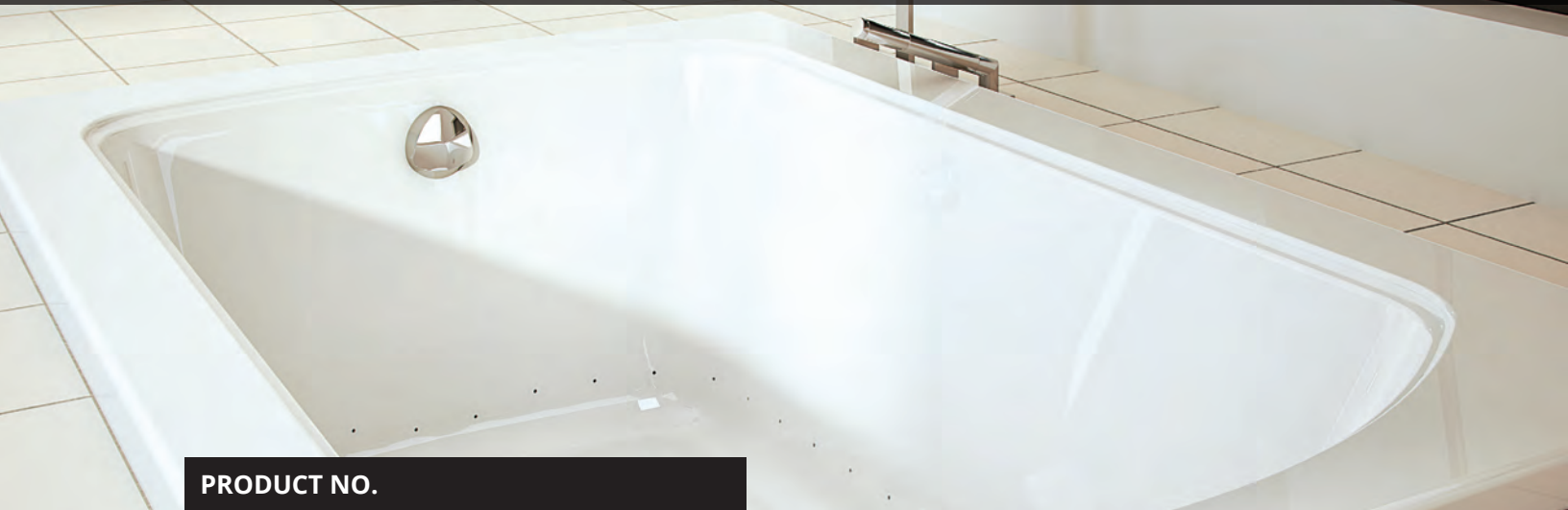


# MERIDIAN 6042

60" x 42" x 21"

Named after the meridians of our body—the paths along which our energy flows—the collection also brings to mind the meridian (or mid-point) of life with an invitation to relax and listen to your body and mind.



## PRODUCT NO.

MODEL	TMU	TUB
	BMEGRI00T-XX	BMEGRI00N-XX

THERMOMASSEUR (TMU) Hydro-thermo massage • Air jet system	\$5,440
Jets	41
1 heated backrest	Included
MiaPlus® Control	Included
BU-Touch Control Application BUTOUCH	\$430
Geysair®	Included
AromaCloud** BAROMAC	\$490
AromaFlow** BAROMAF <b>NEW</b>	\$950
Illuzio Chromatherapy BCHRO6	\$925

TUB Soaker	\$2,680
AromaCloud** BAROMAC	\$490
AromaFlow** BAROMAF <b>NEW</b>	\$950
Illuzio Chromatherapy BCHRO6	\$925
WarmTouchShell® BWTS	\$1,125
DOT control	Included with therapy

## FEATURES

Installation type	Drop-in & Alcove (3 walls)		
No. of bathers	↓	Imp. gallons	52
US gallons	62		

## STANDARD COLOR

		Included
White 01	Biscuit 02	

## OPTIONS (UPCHARGE APPLICABLE)

SKIRT	MULTIFIT BSMUL-XX	SJ-1 BSJ1-XX
White 01, Biscuit 02	\$600	\$715
<b>TILE FLANGE</b> (specify right or left)		
Ordered with bath (not installed) BTILEN		\$79
Factory-installed. Right BTILER, Left BTILEL, Special installation BTILEO		\$155
WASTE & OVERFLOW	16" x 35" BOVER16-XX	INTE- GRATED** BOVERIN-XX
Chrome 07	\$260	\$235
White 01, Biscuit 02	\$290	\$235
Brushed Nickel 09, Polished Nickel 10	\$400	\$235
Oil-rubbed Bronze 11	\$400	N/A
Matte Black 19, Satin Brass 18	N/A	\$355
<b>IF REQUIRED BY CONSTRUCTION CODE</b>		
16" x 35" Cable driven brass waste & overflow kit BOVERBR		\$240



\* The AromaCloud® is built into the deck (factory installed).

\*\* Only when ordering an AromaFlow; an integrated waste & overflow is mandatory (Upcharge). Specify the finish of the waste.



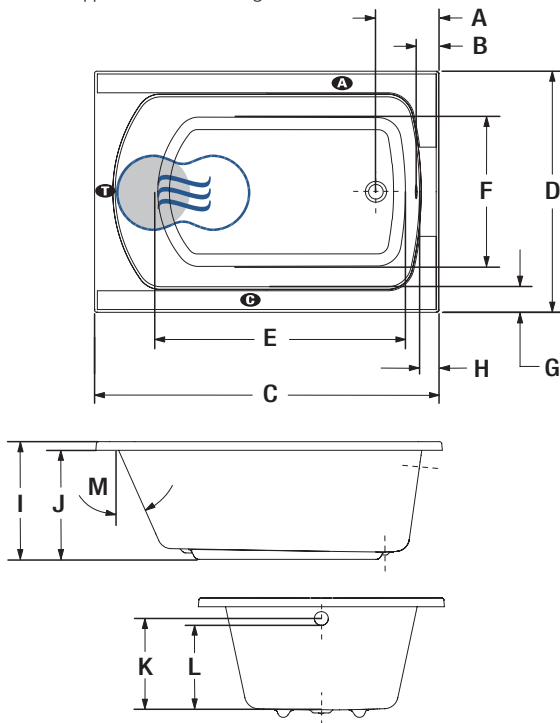
**MERIDIAN 6042**



Illuzio Chromatherapy

**INSTALLATION**

**A** When tile flange is added, the AromaCloud® will automatically be installed on the opposite side of the flange.



LETTER	DESCRIPTION	MEASURE
A	Outside edge to center drain	11"
B	Outside edge to overflow	4"
C	Total length	60"
D	Total width	42"
E	Bathing well length	43 5/8"
F	Bathing well width	26 1/4"
G	Deck width	4 1/4"
H	Deck width at backrest end	3 1/2"
I	Height from bottom of bath to top deck	20 1/2"
J	Height from bottom of bath to bottom of deck	19"
K	Height from bottom of drain to center of overflow	17"
L	Maximum water level (Waste & overflow 16" x 35")	14 3/8"
	Maximum water level with AromaFlow	14"
M	Slope of backrest	24°

- A** AromaCloud® position
- G** Control position when factory-installed (Mia® or DOT)
- T** Turbine position (TMU)
- Indicates heated backrest (TMU)
- ☞ Indicates WarmTouchShell® position (TUB)

**TECHNICAL SPECIFICATIONS**

<b>Hot water supply required</b>	The hot water supply should be 70% or more of the bath's total water capacity.
<b>Turbine</b>	Access to the pump must be at least 18" x 22". <b>Standard connection is 20 A, 120 V, 60 Hz</b> , dedicated line with a Ground-Fault Circuit Interrupter (GFCI). <b>For any additional option, a second line is needed 15 A, 120 V, 60 Hz</b> , dedicated line with a GFCI. Air vent necessary: 2" x 4" minimum.
<b>Others</b>	<ul style="list-style-type: none"> <li>- The Geysair® is located on the same side as the heated backrest. It must <b>NOT be relocated</b>. It must be <b>connected to the hot water supply</b> and be accessible (provide access).</li> <li>- Optional tile flange (specify right or left).</li> <li>- The water level will be lower when an AromaFlow is installed.</li> </ul>

Our products must be installed by certified professionals only and according to our Owner's Manual as well as federal, provincial/state and local building codes and regulations ([www.bainultra.com/dealers/dealer-documentation-and-catalog](http://www.bainultra.com/dealers/dealer-documentation-and-catalog)).

<b>Cutting template</b>	# 90000006
<b>Approx. shipping weight</b>	126 lb
<b>Turbine power</b>	550 W
<b>Air heater</b>	600 W
<b>WARRANTY</b>	
Controls-LED-Geysair*	5 years
Bath & turbine*	20 years

\* Some restrictions apply | [www.bainultra.com/warranty](http://www.bainultra.com/warranty)

The specifications shown indicate the outer edge dimension and the inside bathing capacity dimension measured at air jets' height. The manufacturer accepts a 1/4" [0.64 cm] variance. There are variations on each product and specifications are subject to change as we improve upon our product as required. The dimensions needed for site preparation and structure building will differ. BainUltra® assumes no responsibility for preparatory work done prior to the product being on site.