

BAIN DE VILLE™

INSTALLATION INSTRUCTIONS

IMPORTANT INFORMATION FOR THE INSTALLER AND THE OWNER

 BainUltra®

TO BE KEPT BY THE OWNER

TABLE OF CONTENTS

SAFETY INSTRUCTIONS 4-5

INTEGRATED WASTE & OVERFLOW AND CABLE DRIVEN WASTE & OVERFLOW KITS 7

INTEGRATED OVERFLOW CONNECTION

 PVC PIPE 8

 BRASS PIPE 9

 CABLE DRIVEN 10

BEDDING AND DRAIN POSITION 11

LEVELING AND TURBINE LOCATION 12

SECURING 13

FRAMING INSTRUCTIONS 14

REMOTE MOUNTING

 REMOTE TURBINE CONNECTION 15-16

 REMOTE TURBINE - ELECTRICAL CONNECTIONS 17

 THERAPIES - ELECTRICAL CONNECTIONS 18

ELECTRICAL DIAGRAMS 19

CUTTING TEMPLATE OF MIA® CONTROL 21

CUTTING TEMPLATE OF REMOTE CONTROL MIAPLUS® 23

IMPORTANT SAFETY INSTRUCTIONS PERTAINING TO RISKS OF FIRE, ELECTROCUTION OR PERSONAL INJURY

READ AND FOLLOW ALL INSTRUCTIONS ▪ SAVE THESE INSTRUCTIONS

THIS DOCUMENT SUPERCEDES THE INSTALLATION INSTRUCTION IN THE OWNER'S MANUAL.

WARNING

- Risk of hyperthermia; people using medication and/or having an adverse medical history should consult a physician before using a Hydro-thermo massage® bathtub equipped with a heater.
- Risk of hyperthermia and possible drowning; do not use a Hydro-thermo massage bathtub equipped with heater immediately following strenuous exercise.
- Risk of fetal injury; pregnant or possibly pregnant women should consult a physician before using a Hydro-thermo massage bathtub equipped with a heater.
- Risk of accidental injury or drowning; do not use drugs or alcohol before or during the use of a Hydro-thermo massage bathtub equipped with a heater.
- Use this unit only for its intended purposes or as described in this manual. Use only accessories or devices recommended by the manufacturer.
- Risk of hyperthermia and possible drowning. Check and adjust water temperature before use. Water temperature exceeding 100°F (38°C) may be harmful to your health.
- To reduce the risk of injury, as with any other conventional bath, do not allow children or physically impaired people to use this unit unless they are closely supervised at all times.
- To avoid injury, exercise care when entering or exiting the Thermomasseur®.
- The Geysair should always be connected to the hot water intake. If it is not the case, then, the Geysair should be deactivated via the bath control.


RISK OF ELECTRICAL SHOCK

- Disconnect electric power before servicing.
- Do not permit electrical appliances (hair dryer, lamp, telephone, radio, television, etc.) within 5' (1,5 m) of the Thermomasseur.
- Before using the Thermomasseur, its installation should be completely finished so that a bather cannot accidentally come in contact with electrical components (turbine and power module).
- For indoor use only.

**IMPORTANT SAFETY INSTRUCTIONS
PERTAINING TO RISKS OF FIRE, ELECTROCUTION OR PERSONAL INJURY****READ AND FOLLOW ALL INSTRUCTIONS ▪ SAVE THESE INSTRUCTIONS**

THIS DOCUMENT SUPERCEDES THE INSTALLATION INSTRUCTION IN THE OWNER'S MANUAL.

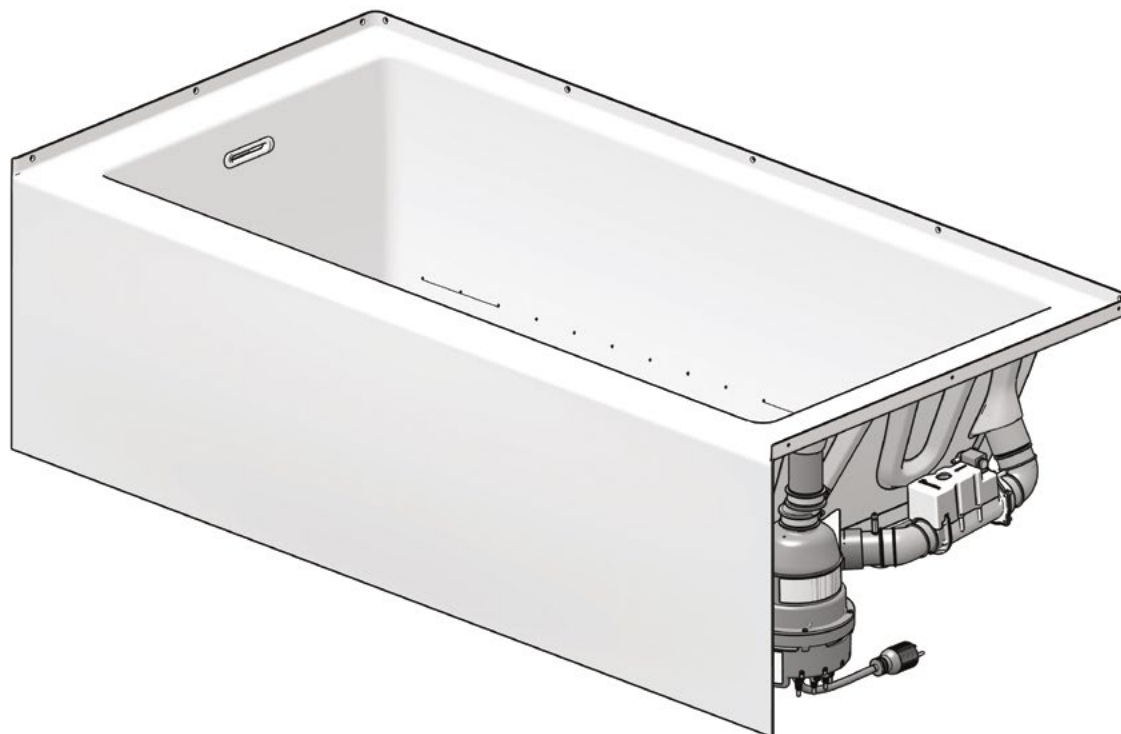
ELECTRICAL CONNECTIONS:

- Never drop or insert objects into any openings.
- The Thermomasseur must be connected only to a supply circuit that is protected by a 20 amp class A ground fault circuit interrupter (GFCI). Optional therapies such as Chromatherapy and/or 2nd heated backrest and/or WarmTouchShell® must be connected to a supply circuit that is protected by a 15 amp class A ground fault circuit interrupter (GFCI). This interrupter is supplied by a certified electrician and must be tested on a regular basis in accordance with manufacturer's instructions. The GFCI ground must be connected. If defective, do not use the Thermomasseur. Disconnect immediately and call a certified electrician.
- Use 12 AWG (for 20 amp dedicated circuit) and 14 AWG (for 15 amp dedicated circuit) copper conductors that resist temperatures of at least 194 °F (90 °C)
- **Canada only:** for permanently connected units. A green-colored terminal (or a wire connector marked g., gr., ground or grounding) is provided within the terminal compartment (not applicable if unit supplied with an electric plug). To reduce the risk of electrocution, connect this terminal or connector to the grounding terminal of your electric service or supply panel with conductor equivalent in size to the circuit conductors supplying the equipment and be 12 AWG or more.
- All electrical connections must be carried out by a certified electrician and must respect federal, provincial/state, and local building codes and regulations.
- Install in accordance with manufacturer's installation instructions.
- For Geysair-equipped baths using remote turbine installation (not mounted on the bath), **grounding continuity must be tested between the bath grounding terminal**  and the bath power supply. **Failure to perform the grounding continuity test could result in serious personal injury.**

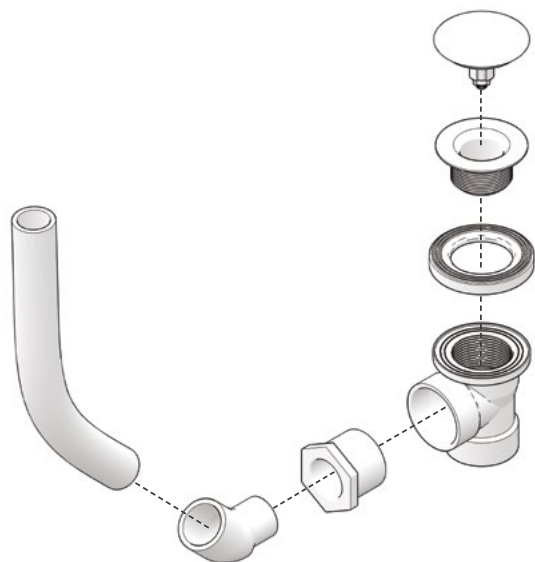
WATER LEAK TEST - IMPORTANT

- **Once plumbing is fully installed and before beginning any other work, fill the ThermoMasseur with water to overflow level and wait 30 minutes. Check all plumbing hook-ups and bath for leaks. BainUltra is not responsible for any water damage caused by improper installation (see Warranty section in the Owner's Manual).**

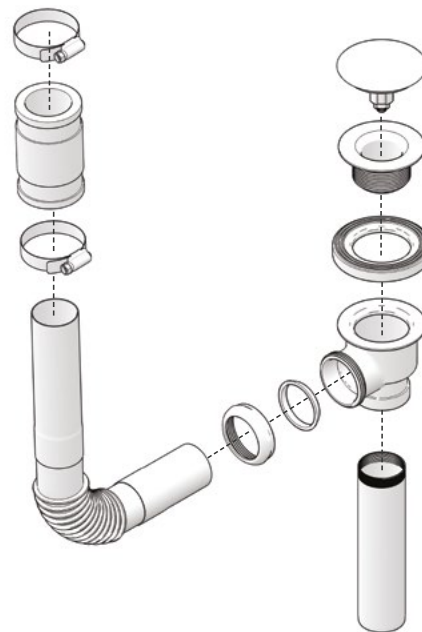
BAIN DE VILLE™



INTEGRATED WASTE & OVERFLOW AND CABLE DRIVEN WASTE & OVERFLOW KITS



PVC WASTE & OVERFLOW KIT



BRASS WASTE & OVERFLOW KIT

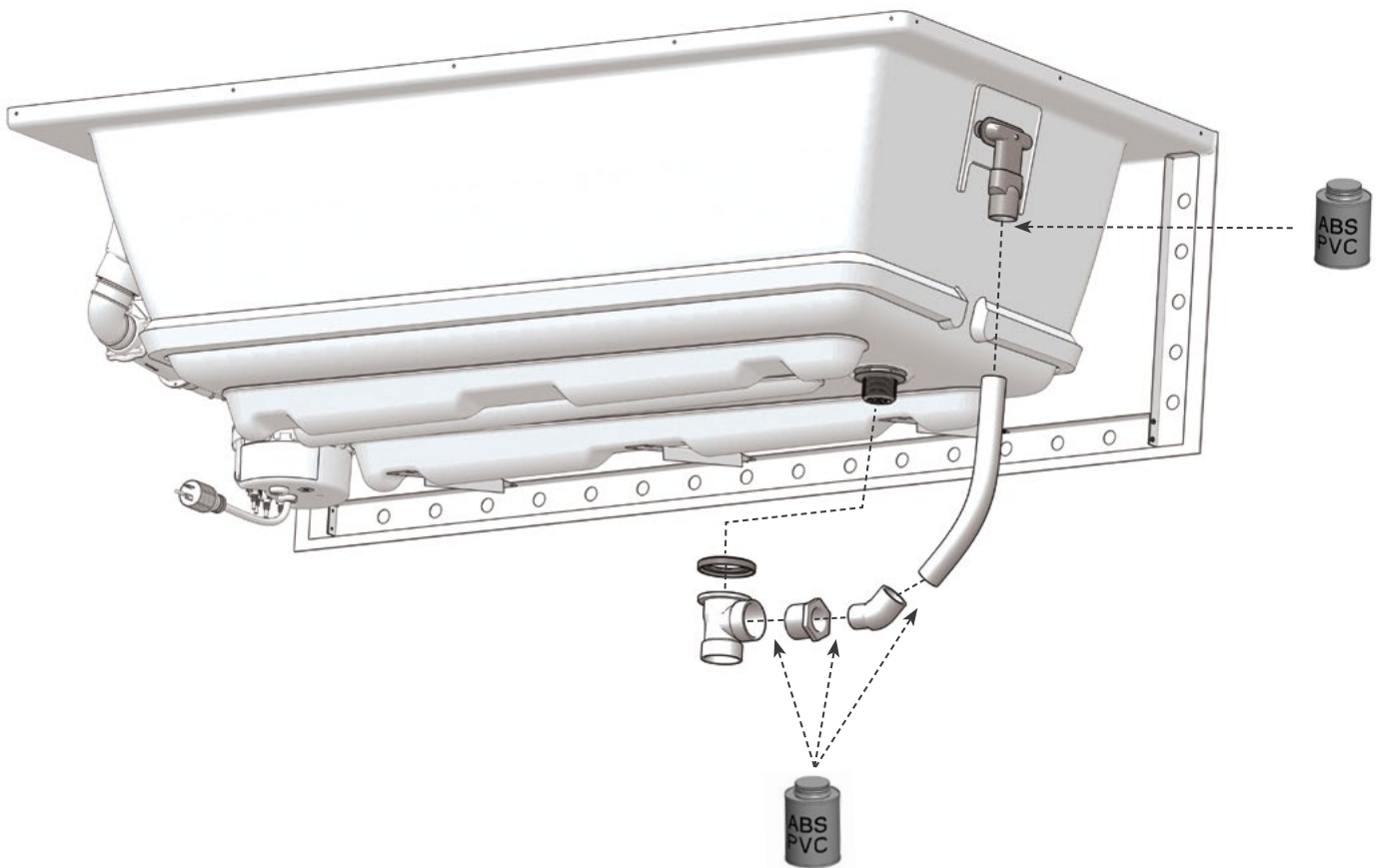


CABLE DRIVEN WASTE & OVERFLOW KIT (For front overflow tub)

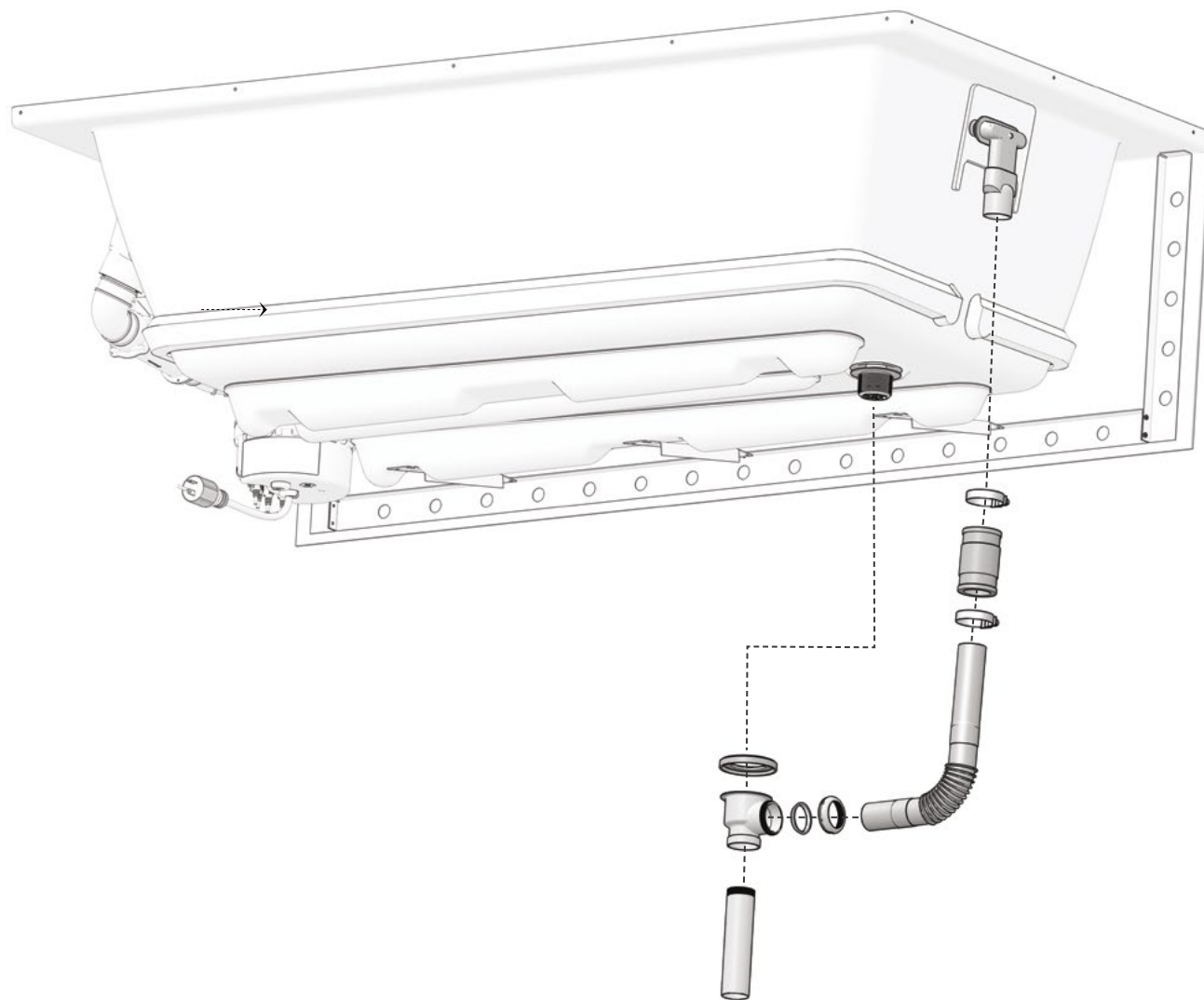


THE LENGTH OF THE PIPE MAY VARY DEPENDING ON THE BATHTUB MODEL

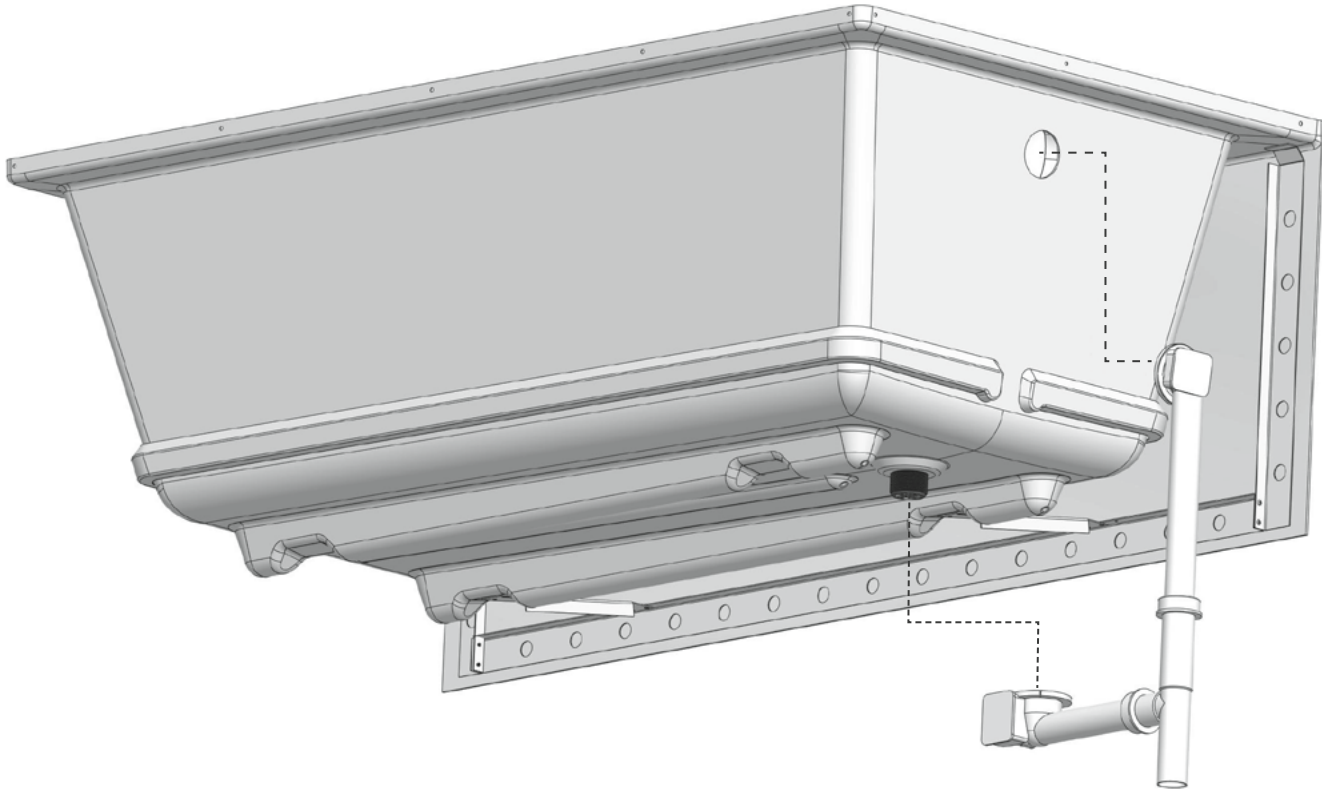
INTEGRATED OVERFLOW CONNECTION - PVC PIPE



INTEGRATED OVERFLOW CONNECTION - BRASS PIPE



CABLE DRIVEN WASTE AND OVERFLOW CONNECTION

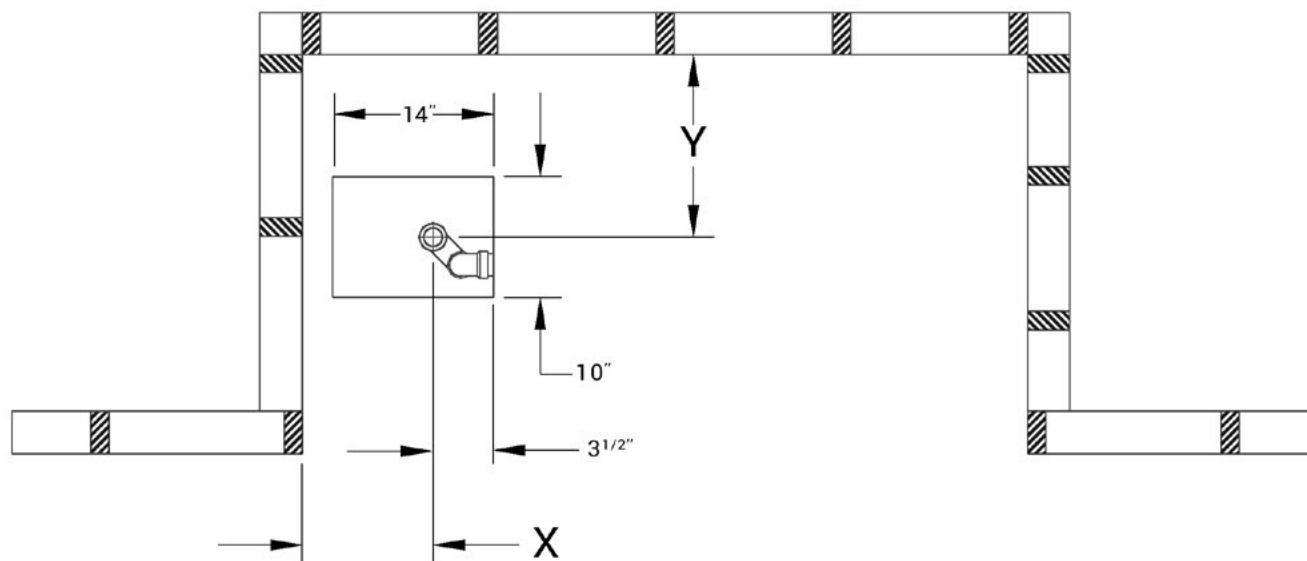


BEDDING AND DRAIN POSITION

BEDDING

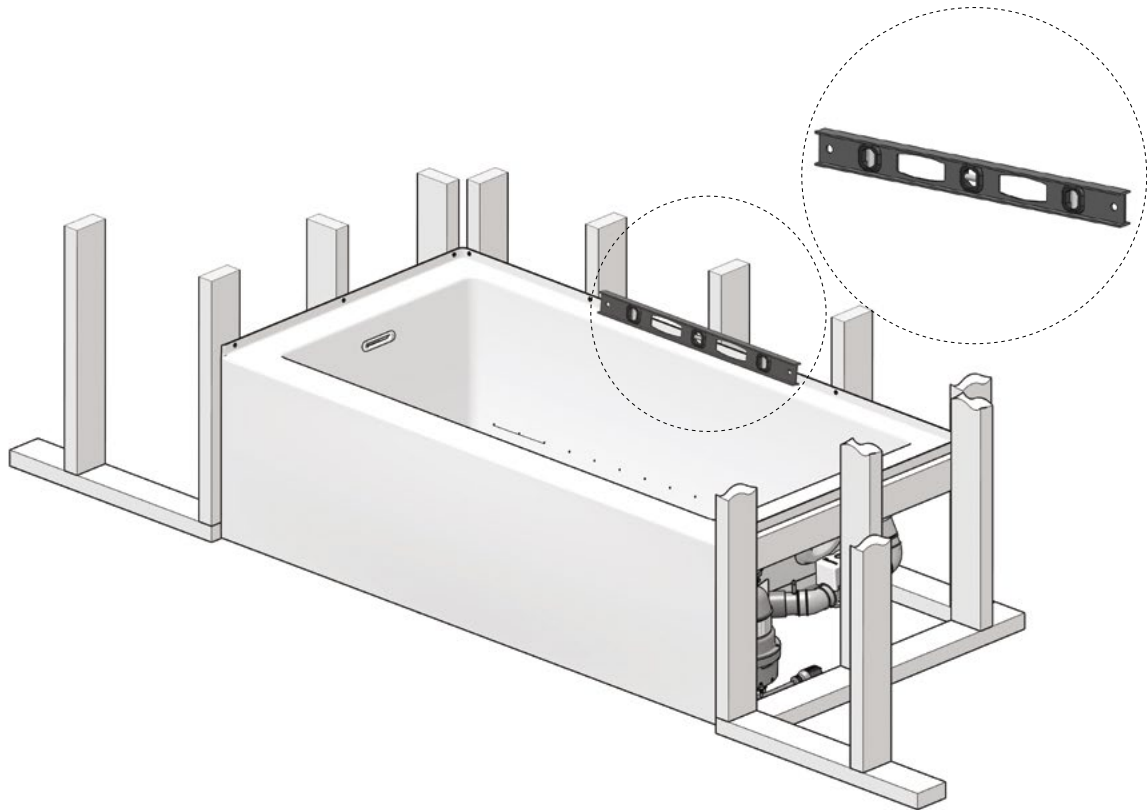
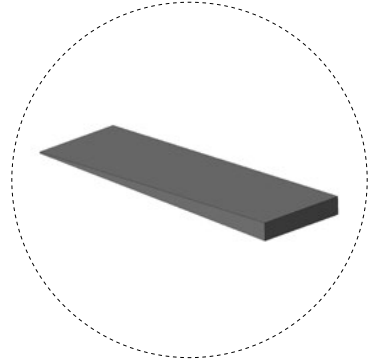
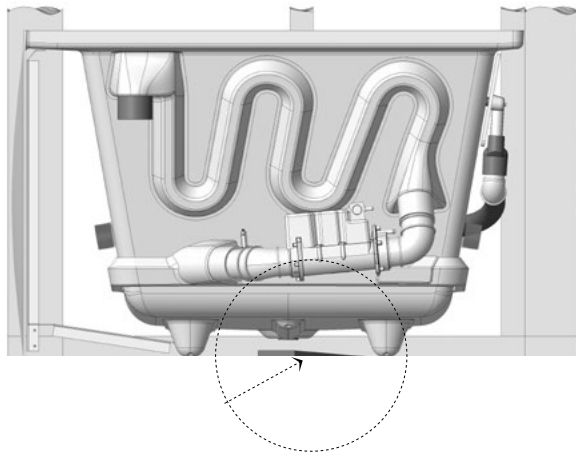
Before installing, ensure that the floor underneath the bath can support **1,500 lbs (680 kg)**. The bath may sit directly on the floor. However, the bath may also be installed on a bed of concrete. For this type of installation, it is recommended that you insulate the concrete between two sheets of plastic, one on floor and the other underneath bath.

DRAIN POSITION

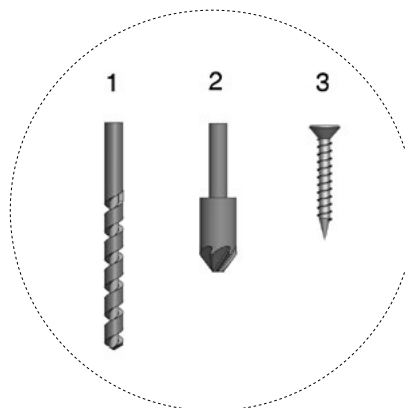
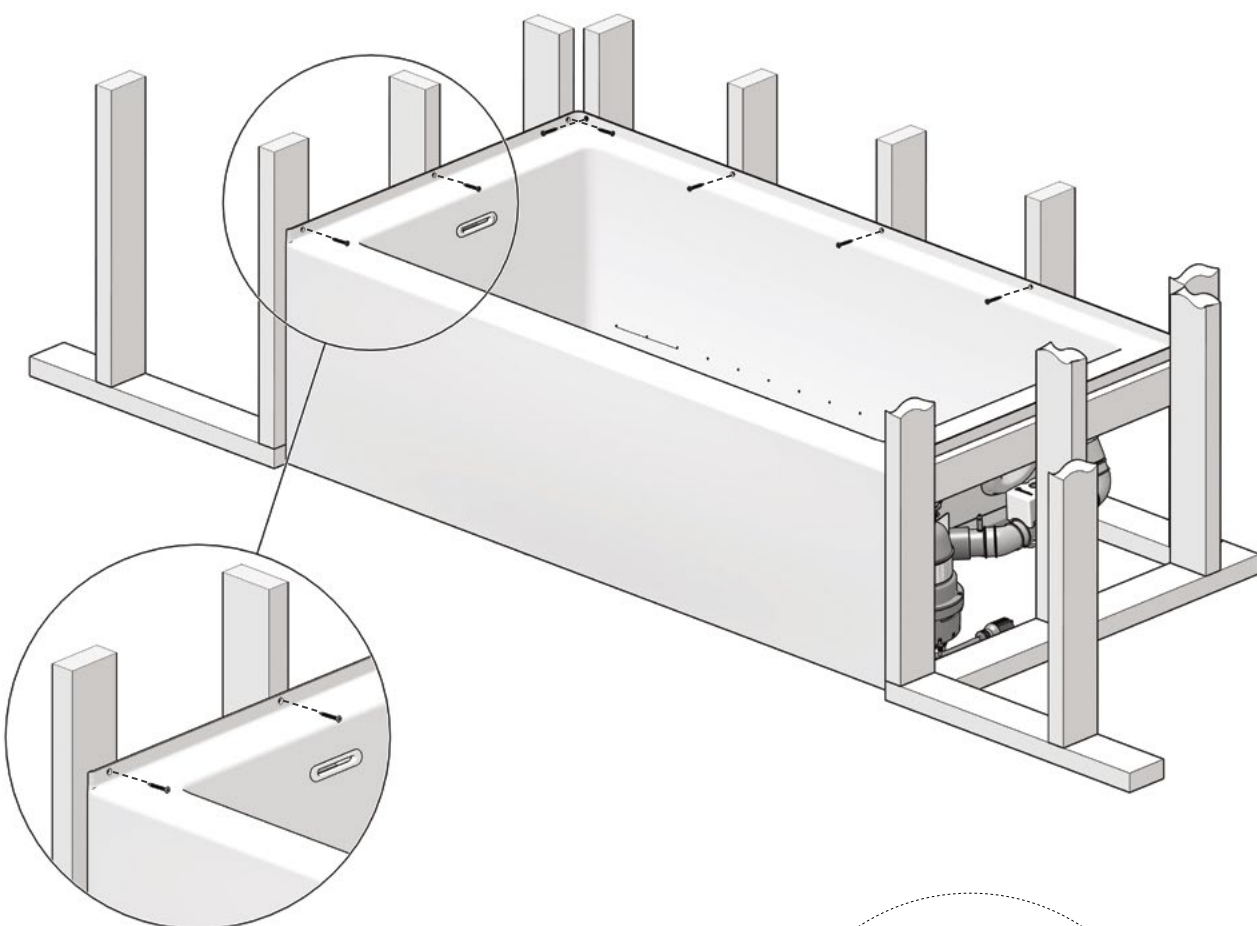


Model	DIMENSION X	DIMENSION Y
Bain de Ville 6030	10-3/8"	14-1/8"
Bain de Ville 6632	10-7/8"	15-1/8"

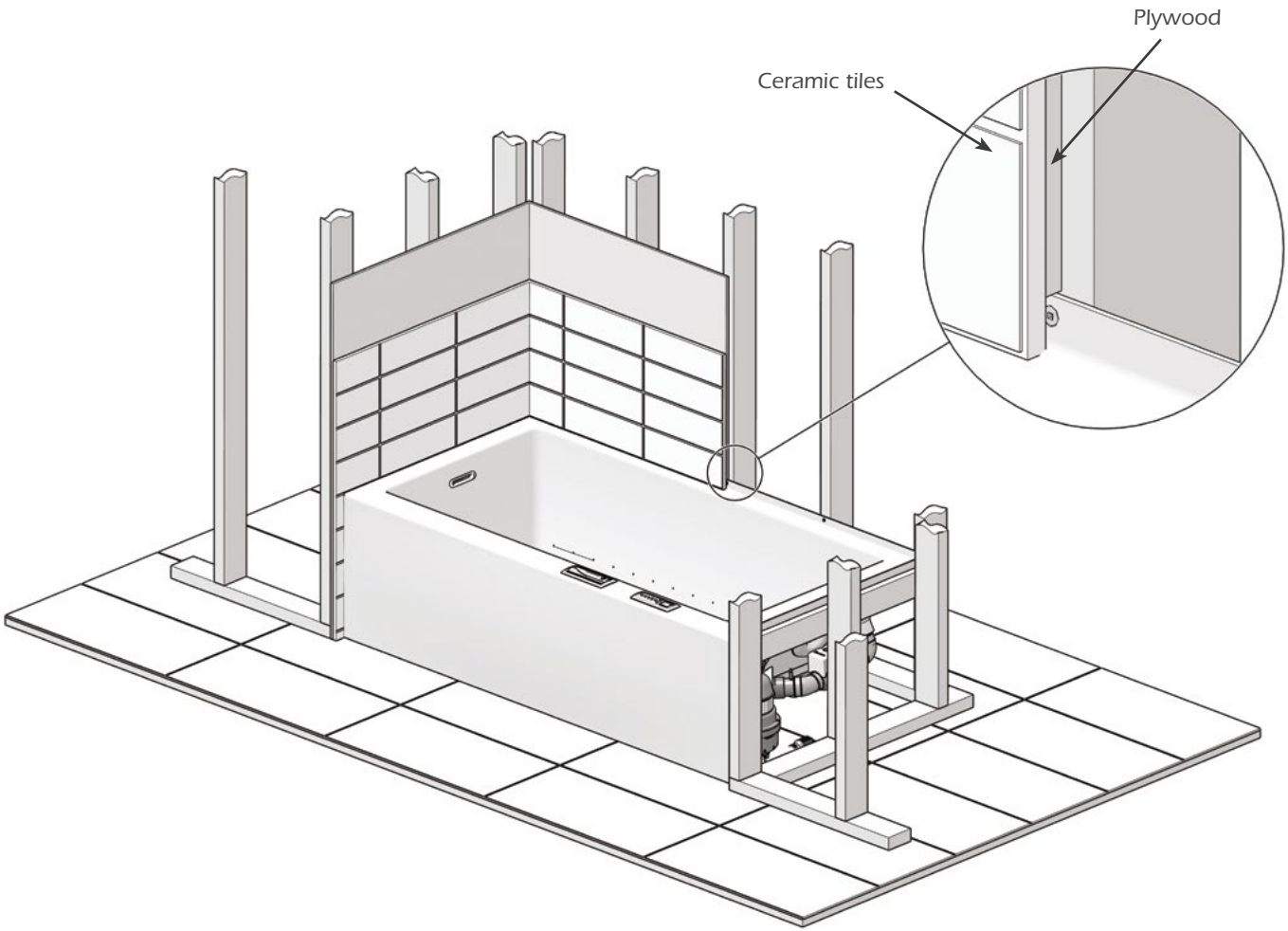
LEVELING AND TURBINE LOCATION



SECURING

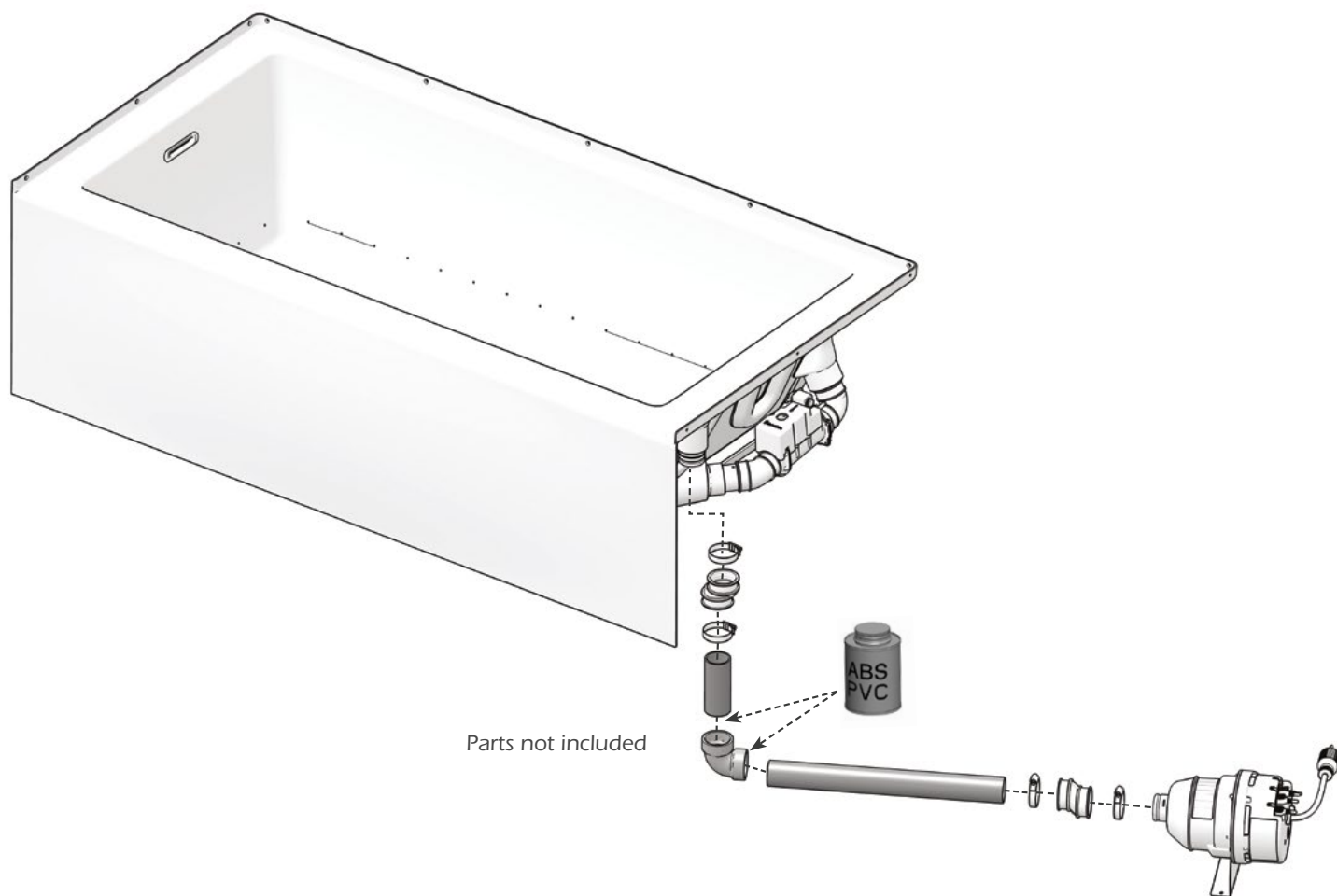


FRAMING INSTRUCTIONS



TURBINE REMOTE INSTALLATION

SUGGESTED INSTALLATION



TURBINE REMOTE INSTALLATION

SITE PREPARATION

TURBINE REMOTE INSTALLATION

1. A 1 ½ inch ID pipe has to run from the tub, back to the turbine location. This pipe can be PVC Tigerflex (spa hose) or rigid PVC or ABS.
2. Maximum distance is 15 feet from the tub, indoors, in a room temperate setting (not outdoors or in a non-temperature controlled area).
3. The minimum size for the turbine enclosure must be: 16" x 16" x 16".
4. Make sure to leave access for servicing needs.
5. The enclosure should have a minimum 4x2 inch opening so the turbine works properly. Not doing so will starve the turbine of air. It will eventually fail and void its warranty.
6. A 20 Amp GFCI (12AWG) 120V dedicated line is needed for the turbine (Geysair is powered by the turbine). If you have additional options on the bath (one or more) a second dedicated line is needed, 15 Amp GFCI 120V (14AWG).

GEYSAIR®

1. Geysair is installed on the bathtub at the factory and must not be relocated. It gets its power from your turbine. So per your local electrical code, you may have to use a solid core wire (14AWG) and run it in between the turbine location and the bathtub. This may require a proper conduit for high voltage wires if installed in a cement slab for example.
2. Geysair is connected to the hot water supply that goes to your bathtub faucet. It uses a 3/8 compression thread.

LED (CHROMATHERAPY)

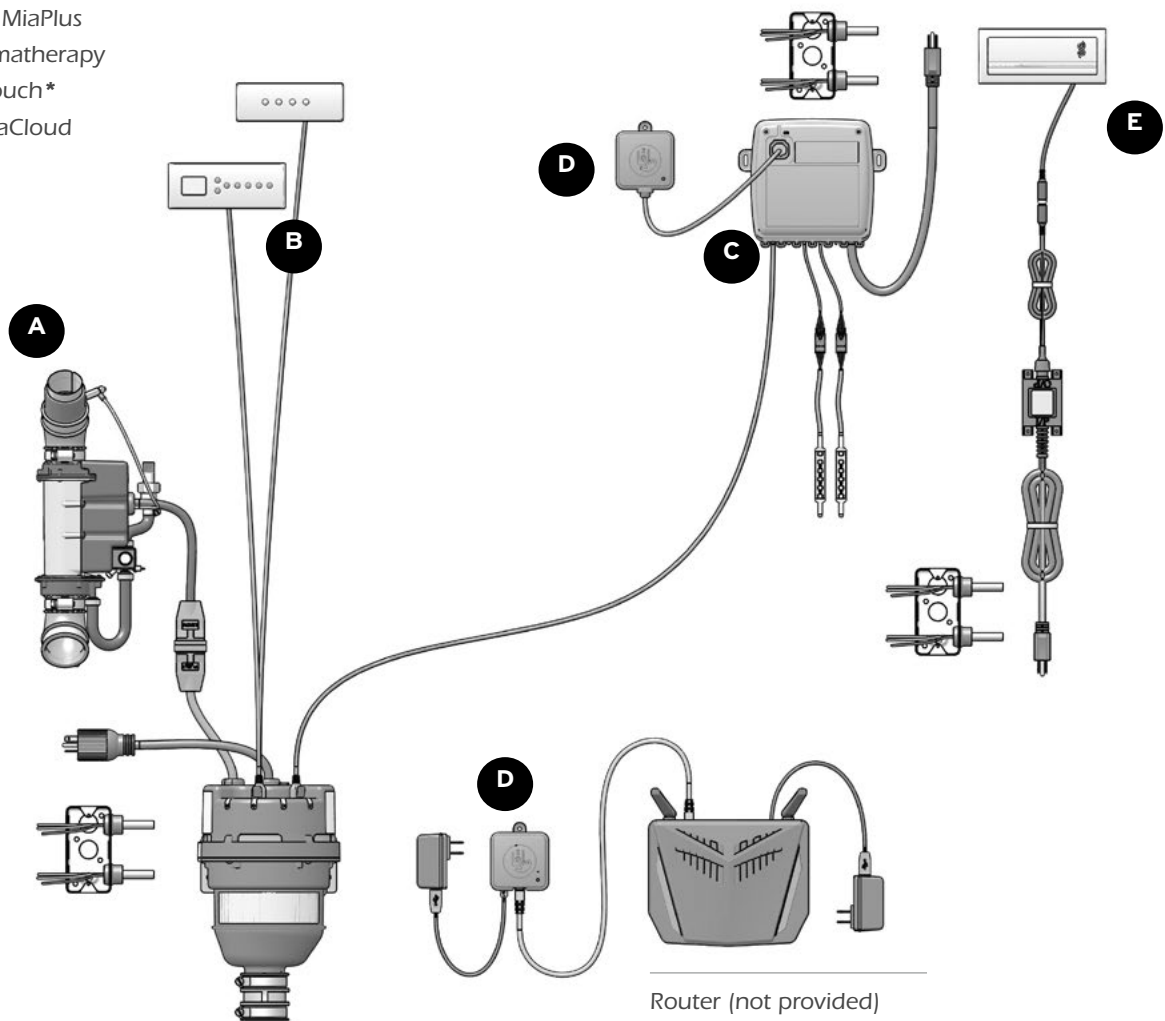
1. The power modules (inMix module, Litestreme) have to be installed next to the turbine.
2. The wires have to be sent from the tub back to the turbine location.
LED: Low voltage for the Chromatherapy .

For further questions, please contact our **Technical Support** **1 888 763-4444**

REMOTE TURBINE - ELECTRICAL CONNECTION

▪ SEE P. 19 FOR ELECTRICAL DIAGRAMS

- A:** Geysair
- B:** Mia / MiaPlus
- C:** Chromatherapy
- D:** BU-Touch*
- E:** AromaCloud

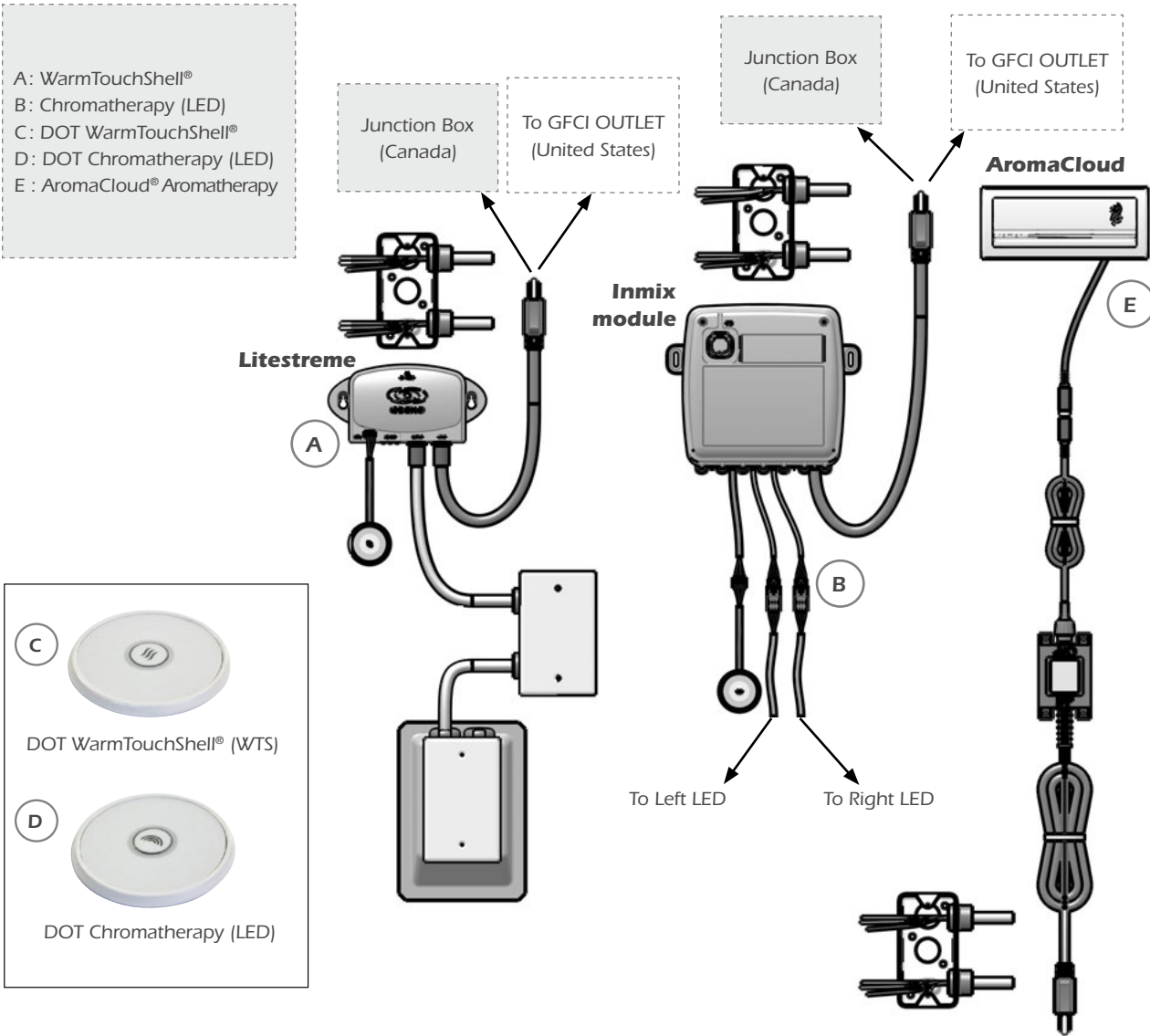


WARNING

- All electrical connections must be carried out by a certified electrician and must respect federal, provincial/state, and local building codes and regulations.
- Electrical power should be turned on only after all the low voltage wires are connected to turbine.
- **If this step has not been done, simply disconnect main breaker that is linked to turbine.**
- Turbine must be located in a clean and dry space.
- **Geysair component cannot be remote mounted. Must never be unplugged.**

THERAPIES - ELECTRICAL CONNECTIONS (TUB)

▪ SEE P. 19 FOR ELECTRICAL DIAGRAMS.



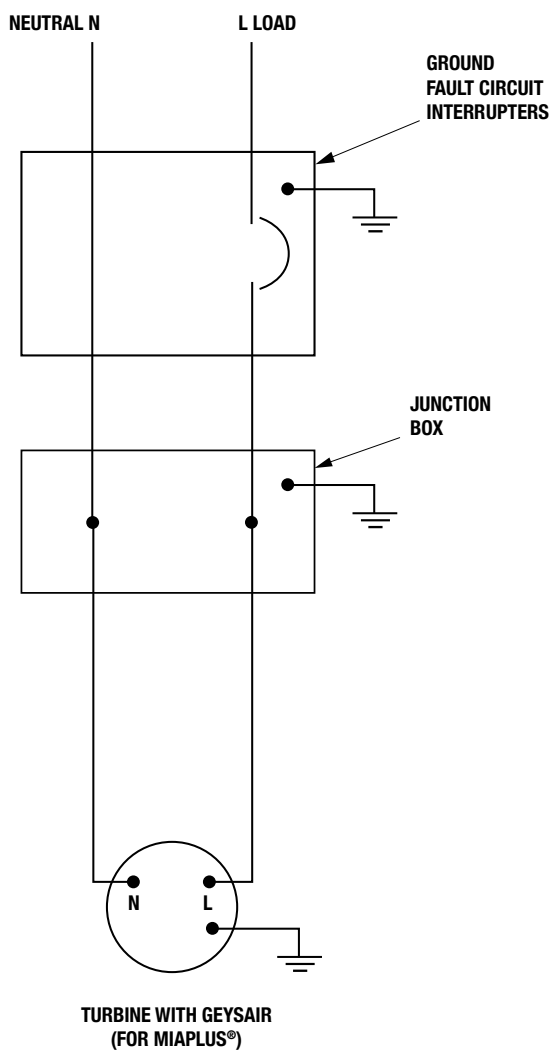
⚠ WARNING

▪ All electrical connections must be carried out by a certified electrician and must respect federal, provincial/state, and local building codes and regulations.

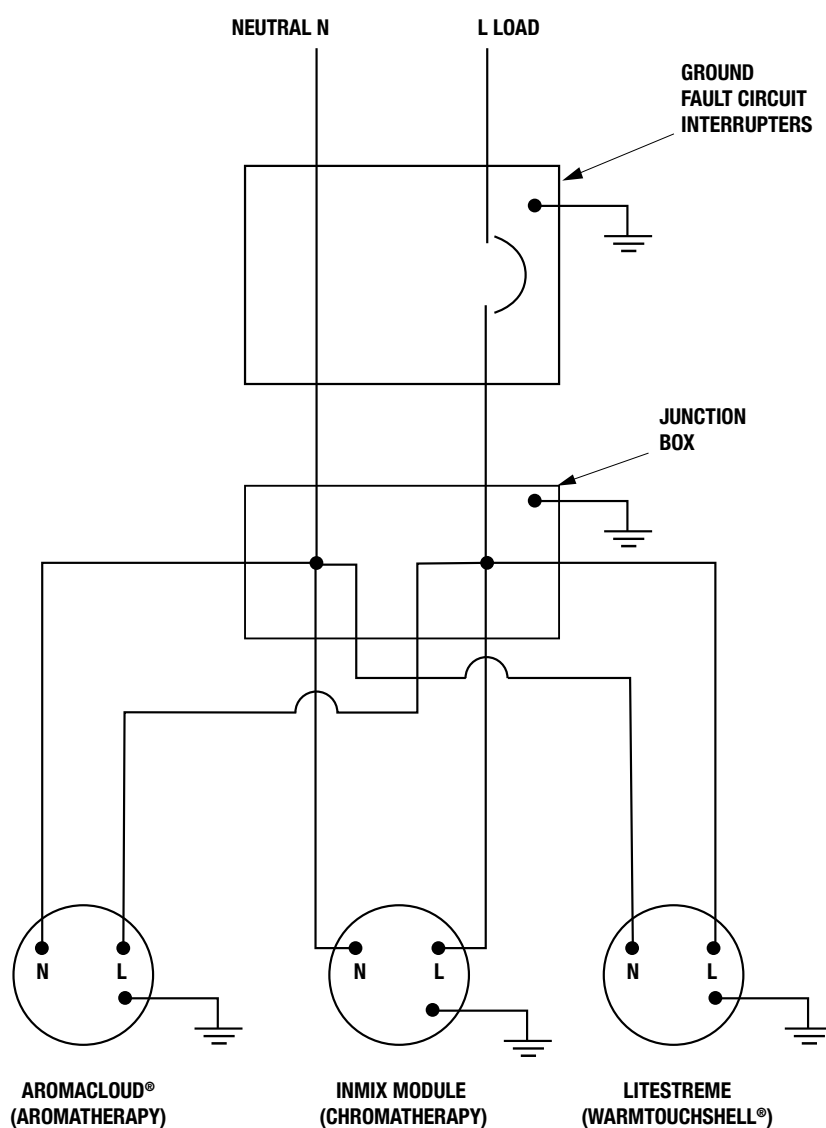
ELECTRICAL DIAGRAMS

20A THERMOMASSEUR® & 15A THERAPIES

20A CIRCUIT

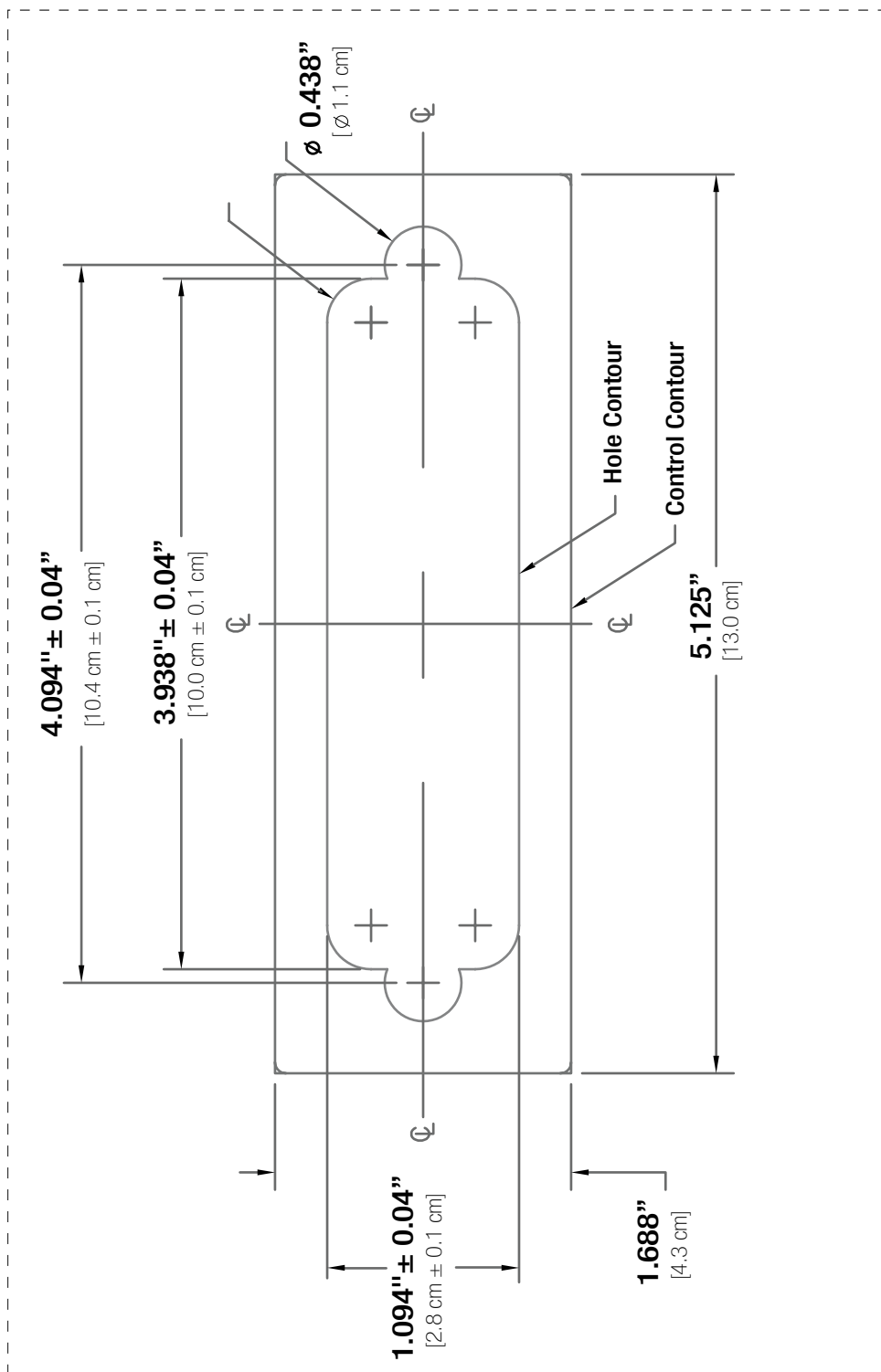


15A CIRCUIT



MIA® CONTROL CUTTING TEMPLATE

IMPORTANT
Drawing to scale



MIAPLUS® CONTROL CUTTING TEMPLATE • REMOTELY INSTALLED

WALL INSTALLED

IMPORTANT
Drawing to scale

