

ORIGAMI 6030 ORIGINAL SERIES

60" x 30" x 21"

The traditional Japanese art of folding paper into symbolic shapes is the inspiration behind the Origami Collection, which stands out for its clean lines and versatility.




PRODUCT NO.

MODEL	TMU	TUB
	BOOBRI00T-XX	BOOBRI00N-XX

THERMOMASSEUR (TMU) Hydro-thermo massage • Air jet system	\$5,725
Jets	40
1 heated backrest	Included
MiaPlus® Control	Included
BU-Touch Control Application BUTOUCH	\$430
Geysair®	Included
AromaCloud** BAROMAC	\$490
AromaFlow*** BAROMAF NEW	\$950
Illuzio Chromatherapy BCHRO6	\$925

TUB Soaker	\$3,025
AromaCloud** BAROMAC	\$490
AromaFlow*** BAROMAF NEW	\$950
Illuzio Chromatherapy BCHRO6	\$925
WarmTouchShell® BWTS	\$1,125
DOT control	Included with therapy

FEATURES

Installation type	Drop-in & Alcove (3 walls)		
No. of bathers		Imp. gallons	38
US gallons	46		

STANDARD COLOR

 White 01	 Biscuit 02	Included
---	---	----------

OPTIONS (UPCHARGE APPLICABLE)

FINISH		
UltraVelour Matte Finish (white only) BVEL1		\$650
SKIRT		
	MULTIFIT BSMUL-XX	SJ-1 BSJ1-XX
White 01 , Biscuit 02	\$600	\$715
TILE FLANGE (specify right or left)		
Ordered with bath (not installed) BTILEN		\$79
Factory-installed. Right BTILER , Left BTILEL , Special installation BTILEO		\$155
WASTE & OVERFLOW		
	16" x 35" BOVER16-XX	INTE-GRATED BOVERIN-XX
Chrome 07	\$260	\$235
White 01 , Biscuit 02	\$290	\$235
Matte White with UltraVelour finish 32	N/A	\$235
Brushed Nickel 09 , Polished Nickel 10	\$400	\$235
Oil-rubbed Bronze 11	\$400	N/A
Matte Black 19 , Satin Brass 18	N/A	\$355
IF REQUIRED BY CONSTRUCTION CODE		
Brass waste & overflow kit** BDRCOB		\$240
Brass waste kit** BDRCB		\$60
16" x 35" Cable driven brass waste & overflow kit BOVERBR		\$240



* The AromaCloud® is built into the deck (factory installed).

** When ordered with integrated waste & overflow.

*** When ordering an AromaFlow, an Integrated waste & overflow is mandatory (Upcharge). Specify the finish of the waste.



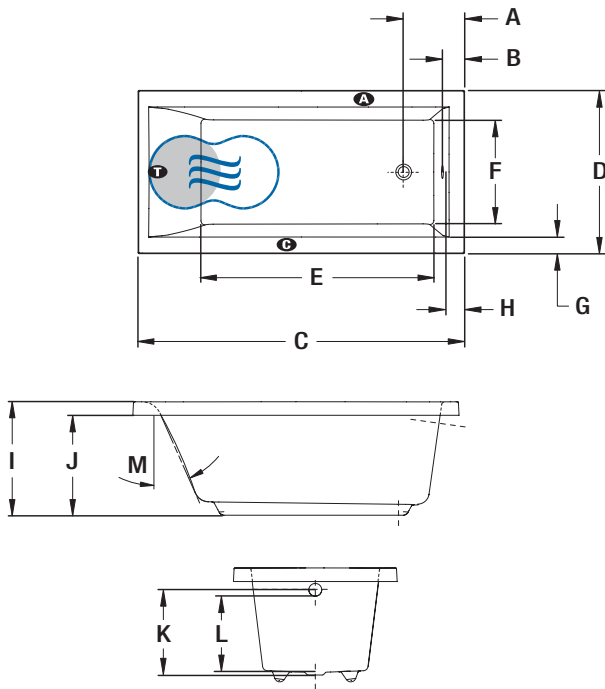
ORIGAMI 6030 ORIGINAL SERIES



AromaFlow

INSTALLATION

- A** When tile flange is added, the AromaCloud® will automatically be installed on the opposite side of the flange.



LETTER	DESCRIPTION	MEASURE
A	Outside edge to center drain	11"
B	Outside edge to overflow	3 5/8"
C	Total length	60"
D	Total width	30"
E	Bathing well length	43 1/4"
F	Bathing well width	19 5/8"
G	Deck width	3 1/4"
H	Deck width	3 1/4"
I	Height from bottom of bath to top deck	21"
J	Height from bottom of bath to bottom of deck	19"
K	Height from bottom of drain to center of overflow	15 5/8"
L	Maximum water level (Waste & overflow 16" x 35") Maximum water level (Integrated waste & overflow) Maximum water level with AromaFlow	13 7/8" 14 7/8" 14 3/8"
M	Slope of backrest	24°

- A** AromaCloud® position
- C** Control position when factory-installed (Mia® or DOT)
- T** Turbine position (TMU)
- Indicates heated backrest (TMU)
- ☄ Indicates WarmTouchShell® position (TUB)

TECHNICAL SPECIFICATIONS

Hot water supply required	The hot water supply should be 70% or more of the bath's total water capacity.
Turbine	Access to the pump must be at least 18" x 22". Standard connection is 20 A, 120 V, 60 Hz , dedicated line with a Ground-Fault Circuit Interrupter (GFCI). For any additional option, a second line is needed 15 A, 120 V, 60 Hz , dedicated line with a GFCI. Air vent necessary: 2" x 4" minimum.
Others	<ul style="list-style-type: none"> - The Geysair® is located on the same side as the heated backrest. It must NOT be relocated. It must be connected to the hot water supply and be accessible (provide access). - Optional tile flange (specify right or left). - The water level will vary when an AromaFlow or an Integrated waste & overflow is installed.

Our products must be installed by certified professionals only and according to our Owner's Manual as well as federal, provincial/state and local building codes and regulations (www.bainultra.com/dealers/dealer-documentation-and-catalog).

Cutting template	# 90000048
Approx. shipping weight	128 lb
Turbine power	550 W
Air heater	600 W
WARRANTY	
Controls-LED-Geysair*	5 years
Bath & turbine*	20 years

* Some restrictions apply | www.bainultra.com/warranty

The specifications shown indicate the outer edge dimension and the inside bathing capacity dimension measured at air jets' height. The manufacturer accepts a 1/4" [0.64 cm] variance. There are variations on each product and specifications are subject to change as we improve upon our product as required. The dimensions needed for site preparation and structure building will differ. BainUltra® assumes no responsibility for preparatory work done prior to the product being on site.