

PRODUCT SHEET
AMMA 6032
 60" X 32" X 21"



THERMOMASSEUR® BATH	\$
THERMASENS® BATH	\$
TUB	\$

THERMOMASSEUR (TMU)	
Jets	45
1 heated backrest	included
1 heated headrest	included
MiaPlus® Control	included
Geysair®	included
AromaCloud®	\$
Chromatherapy - 2 LED	\$

THERMASENS (TMSU)		TUB
AromaCloud®	included	\$
Chromatherapy - 2 LED	included	\$
WarmTouchShell®	included	\$
DOT control	included	included with therapy

FEATURES			
Installation	Drop-in or Alcove (3 walls)		
No. of bathers	↓	Raised seat	1
US gallons	46	Inverted V	1
Imp. gallons	39		

OPTIONAL UPCHARGE APPLICABLE		
COLOR		
Standard		
White	Biscuit	
Optional		
Black	Sandbar	Gray
		\$
CONTROL (TMU ONLY)		
MiaMulti®		\$
SKIRT		
	MULTIFIT	SJ-1
Skirt	\$	\$
Optional color	\$	\$
DRAIN & OVERFLOW		
	16" X 35"	INTEGRATED WASTE & OVERFLOW
Chrome	\$	\$
White, Biscuit	\$	\$
Brass	\$	\$
Brushed nickel, Polished nickel	\$	\$
Oil-rubbed bronze	\$	N/A
TILE FLANGE (specify right or left)		
Ordered with bath, uninstalled		\$
Factory-installed		\$

DON'T FORGET THAT ORDERING A TILE FLANGE FOR THIS BATH IS POSSIBLE.

1 800 463.2187 From 8 a.m. to 8 p.m. Monday to Thursday (EST)
 info@bainultra.com From 8 a.m. to 5 p.m. on Friday (EST)

AMMA 6032 60" X 32" X 21"

ACCESSORIES (OPTIONAL)

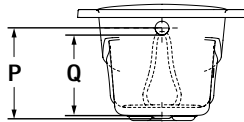
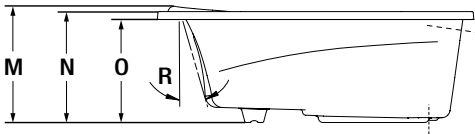
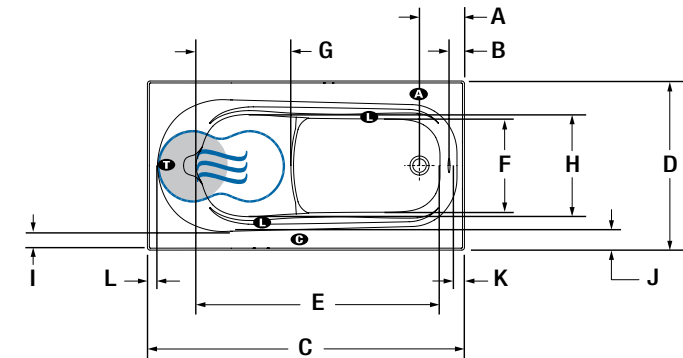
OTHER

Optional tile flange (specify right or left).

TOTAL PRICE

\$

DROP-IN/ALCOVE INSTALLATION



LETTER	DESCRIPTION	MEASURE
A	Outside edge to center drain	8 1/2"
B	Outside edge to overflow	2 1/2"
C	Total length	60"
D	Total width	32"
E	Bathing well length	46 1/4"
F	Bathing well width at foot area	17 1/2"
G	Raised seat length	18"
H	Raised seat width	19 3/8"
I	Deck width (narrowest point)	3 1/8"
J	Deck width (widest point)	3 7/8"
K	Deck width at drain end	2"
L	Deck width at backrest end	1 7/8"
M	Total height to headrest	22"
N	Height from bottom of tub to top deck	21"
O	Height from bottom of tub to bottom of lip	19 1/2"
P	Height from drain to center of overflow	17"
Q	Maximum water level	15 1/4"
R	Slope of backrest	16°

- Indicates turbine position (TMU)
- Indicates heated backrest (TMU)
- Indicates WarmTouchShell position (TMSU)
- Indicates LED light position
- Indicates control position when factory-installed
- Indicates AromaCloud position

When tiling flange is added, the AromaCloud will automatically be installed on the opposite side of the flange.

TECHNICAL SPECIFICATIONS

Hot water supply required Should be 70% of water capacity of tub or greater.

Turbine Access to the pump must be at least 18" X 22". **Standard connection is 20 A, 120 V, 60 hz,** dedicated line with a Ground-Fault Circuit Interrupter (GFCI). **For any additional option, a second line is needed 15 A, 120 V, 60 hz,** dedicated line with a GFCI. Air vent necessary: 2" X 4" minimum

Our products must be installed by certified professionals only and according to our Owner's Manual as well as federal, provincial/state and local building codes and regulations (www.bainultra.com/documentation/documentation).

Approx. shipping weight 138 lbs

Turbine power 600 W

Air heater 700 W

WARRANTY

Controls-LED-Geysair* 5 years

Bath & turbine* 20 years

*Some restrictions apply | www.bainultra.com/warranty



The specifications shown indicate the outer edge dimension and the inside bathing capacity dimension measured at air jets' height. The manufacturer accepts a 1/4" [0.64 cm] variance. There are variations on each product and specifications are subject to change as we improve upon our product as required. The dimensions needed for site preparation and structure building will differ. BainUltra® assumes no responsibility for preparatory work done prior to the product being on site.