



PRODUCT SHEET  
**SANOS 6636**  
 66" X 36" X 24"



<b>THERMOMASSEUR® BATH</b>	\$
<b>THERMASENS® BATH</b>	\$
<b>TUB</b>	\$

THERMOMASSEUR (TMU)	
Jets	38
1 heated backrest	included
MiaMulti® Control *	included
Geysair®	included
AromaCloud®	\$
Chromatherapy - 2 LED	\$
2 <sup>nd</sup> heated backrest (advanced technology)	\$

THERMASENS (TMSU)		TUB
AromaCloud®	included	\$
Chromatherapy - 2 LED	included	\$
WarmTouchShell®	included	\$
2 <sup>nd</sup> WarmTouchShell®	\$	\$
DOT control	inst. & incl.	included with therapy

FEATURES			
Installation			Freestanding
No. of bathers		Imp. gallons	40
US gallons	48		

**OPTIONAL UPCHARGE APPLICABLE**

COLOR		
<b>Standard</b>		
White	Biscuit	
<b>Optional</b>		
Black	Sandbar	Gray
		\$

FOR AIR SUPPLY ONLY	
Decorative pipe (1 1/2" x 6")	\$
Decorative pipe (1 1/2" x 24")	\$
Elbow (45°)	\$
Elbow (90°)	\$
WASTE & OVERFLOW (EXPOSED) D13 (BALNEO®)	
Chrome	\$
Brass	\$
Brushed nickel, Polished nickel & Oil-rubbed bronze	\$
Unplated	\$
ISLAND TUB DRAIN™**	
Island Tub Drain™	\$

\* FOR TMU, CONTROL AND FAUCET CANNOT BE INSTALLED ON THE DECK OF THE BATH. DON'T FORGET TO INDICATE **FLAT OR ROLLED DECK**.  
 \*\* AN ISLAND TUB DRAIN IS REQUIRED WHEN THERE IS **NO ACCESS UNDER THE BATH**. THE ISLAND TUB DRAIN SHOULD BE SECURED ONTO THE SUBFLOOR PRIOR TO FLOORING.

1 800 463.2187 info@bainultra.com | From 8 a.m. to 8 p.m. Monday to Thursday (EST)  
 From 8 a.m. to 5 p.m. on Friday (EST)

# SANOS 6636 66" X 36" X 24"

## ACCESSORIES (OPTIONAL)

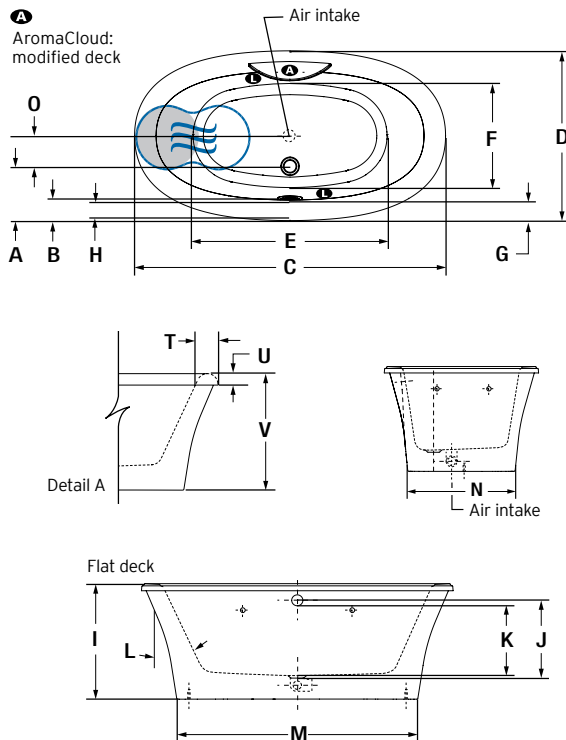
### OTHERS

- Faucets must be freestanding or wall-mounted.
- The turbine must be remotely installed.
- There is a height difference for the rolled deck (see detail A).
- TMU: Control must be wall-mounted.
- TMSU: Dot controls are located on either sides of the AromaCloud.

TOTAL PRICE

\$

## FREESTANDING INSTALLATION



Available with flat or rolled deck.

LETTER	DESCRIPTION	MEASURE
A	Outside edge to center waste	11 1/2"
B	Outside edge to overflow	4"
C	Total length	66"
D	Total width	36"
E	Bathing well length	42 3/8"
F	Bathing well width	22 1/4"
G	Deck width	4 1/4"
H	Flat surface width	3"
I	Height from bottom of tub to top deck	24 1/2"
J	Height from waste to center of overflow	16 5/8"
K	Maximum water level	14 7/8"
L	Slope of backrest	25°
M	Base length	50 7/8"
N	Base width	24 7/8"
O	Distance from center air intake to center waste	3 1/4"
T	Rolled deck width	4 3/4"
U	Height from bottom of lip to top deck	2 1/2"
V	Height from bottom of tub to top deck	25 1/2"

- Indicates heated backrest (TMU)
- Indicates LED light position
- ☰ Indicates WarmTouchShell position (TMSU)
- Indicates AromaCloud position

## TECHNICAL SPECIFICATIONS

<b>Hot water supply required</b>	Should be 70% of water capacity of tub or greater.
<b>Turbine</b>	Access to the pump must be at least 18" X 22". <b>Standard connection is 20 A, 120 V, 60 hz</b> , dedicated line with a Ground-Fault Circuit Interrupter (GFCI). <b>For any additional option, a second line is needed 15 A, 120 V, 60 hz</b> , dedicated line with a GFCI. Air vent necessary: 2" X 4" minimum

Our products must be installed by certified professionals only and according to our Owner's Manual as well as federal, provincial/state and local building codes and regulations ([www.bainultra.com/documentation/documentation](http://www.bainultra.com/documentation/documentation)).

<b>Approx. shipping weight</b>	240 lbs
<b>Turbine power</b>	755 W
<b>Air heater</b>	700 W

## WARRANTY

Controls-LED-Geysair*	5 years
Bath & turbine*	20 years

\*Some restrictions apply | [www.bainultra.com/warranty](http://www.bainultra.com/warranty)



The specifications shown indicate the outer edge dimension and the inside bathing capacity dimension measured at air jets' height. The manufacturer accepts a 1/4" [0,64 cm] variance. There are variations on each product and specifications are subject to change as we improve upon our product as required. The dimensions needed for site preparation and structure building will differ. BainUltra® assumes no responsibility for preparatory work done prior to the product being on site.