



PRODUCT SHEET

ESSENCIA OVAL DROP-IN

72" X 36" X 25"



DROP-IN

THERMOMASSEUR® BATH	\$
THERMASENS® BATH	\$
TUB	\$

THERMOMASSEUR (TMU)

Jets	50
1 heated backrest	included
1 heated headrest	included
MiaMulti® Control*	included
Geysair®	included
AromaCloud®	\$
Chromatherapy - 2 LED	included

THERMASENS (TMSU)

AromaCloud®	included	TUB	\$
Chromatherapy - 2 LED	included		\$
WarmTouchShell®	included		\$
2 DOT controls	included		included

FEATURES

Installation		Drop-In	
No. of bathers	↓	Armrests	2
US gallons	61	Grab bars (color match)	2
Imp. gallons	51	Footrest	included
Raised seat	1	Drain & overflow	inst. & incl.
Inverted V	1		

FEATURES INCLUDED

COLOR

Standard



OPTIONAL UPCHARGE APPLICABLE

FINISH

UltraVelour Matte Finish (White Only)	\$
CLEAR ACRYLIC GRAB BARS	
With Chrome, Brass or Brushed nickel inserts	\$



* FOR TMU, CONTROL AND FAUCET CANNOT BE INSTALLED ON THE DECK OF THE BATH. FOR TMSU, FAUCET CANNOT BE INSTALLED ON THE DECK, AND DOT CONTROLS WILL BE INSTALLED ON THE AROMACLOUD INSERT.

1 800 463.2187
info@bainultra.com

From 8 a.m. to 8 p.m. Monday to Thursday (EST)
From 8 a.m. to 5 p.m. on Friday (EST)



The quest for your wellness™

www.bainultra.com

ESSENCIA OVAL DROP-IN 72" X 36" X 25"

ACCESSORIES (OPTIONAL)

CUTTING TEMPLATE

90000056

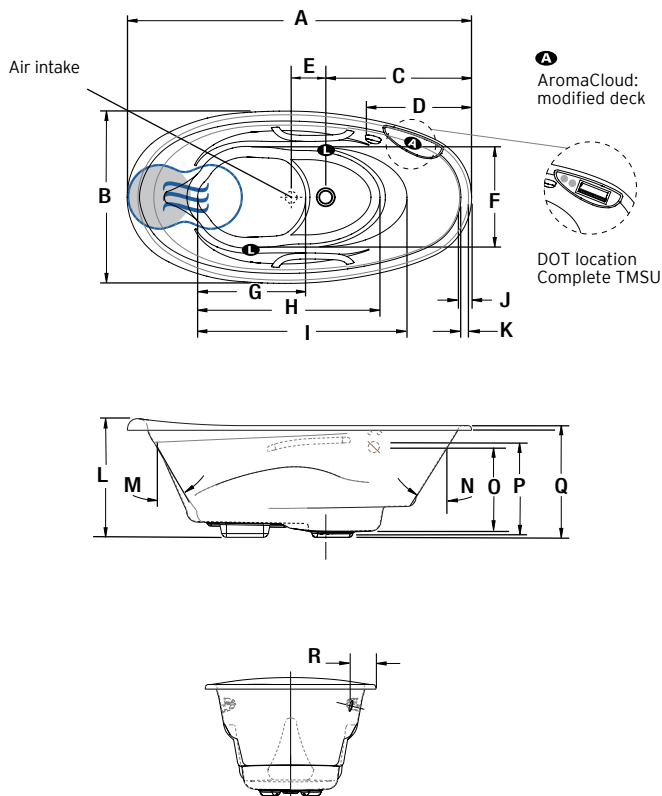
OTHERS

- Faucet must be freestanding or wall-mounted.
- The turbine must be remotely installed.
- TMU: Control must be wall-mounted.
- TMSU: Dot controls are located on the side of the AromaCloud.

TOTAL PRICE

\$

DROP-IN INSTALLATION



LETTER	DESCRIPTION	MEASURE
A	Total length	72"
B	Total width	36"
C	Outside edge to center drain	30 1/2"
D	Outside edge to overflow	20 1/2"
E	Distance from center air intake to center drain	5"
F	Bathing well width	21"
G	Raised seat length	22 5/8"
H	Bottom bathing well length	38"
I	Bathing well length	45 1/4"
J	Deck width (top)	2 5/8"
K	Deck width (raised deck)	1 1/2"
L	Total height to headrest	24 7/8"
M	Slope of backrest	30°
N	Slope on waste side	32°
O	Maximum water level	16 5/8"
P	Height from drain to center of overflow	18 3/8"
Q	Height from bottom of tub to top deck	23 1/2"
R	Minimum faucet dimension	6 3/8"

- Indicates LED light position
- Indicates AromaCloud position
- Indicates WarmTouchShell position (TMSU)
- Indicates heated backrest (TMU)

TECHNICAL SPECIFICATIONS

Hot water supply required	Should be 70% of water capacity of tub or greater.
Turbine	Access to the pump must be at least 18" X 22". Standard connection is 20 A, 120 V, 60 hz, dedicated line with a Ground-Fault Circuit Interrupter (GFCI). For any additional option, a second line is needed 15 A, 120 V, 60 hz, dedicated line with a GFCI. Air vent necessary: 2" X 4" minimum

Our products must be installed by certified professionals only and according to our Owner's Manual as well as federal, provincial/state and local building codes and regulations (www.bainultra.com/documentation/documentation).

Approx. shipping weight	146 lbs
Turbine power	600 W
Air heater	600 W

WARRANTY

Controls-LED-Geysair*	5 years
Bath & turbine*	20 years

*Some restrictions apply | www.bainultra.com/warranty



The specifications shown indicate the outer edge dimension and the inside bathing capacity dimension measured at air jets' height. The manufacturer accepts a 1/4" [0,64 cm] variance. There are variations on each product and specifications are subject to change as we improve upon our product as required. The dimensions needed for site preparation and structure building will differ. BainUltra® assumes no responsibility for preparatory work done prior to the product being on site.