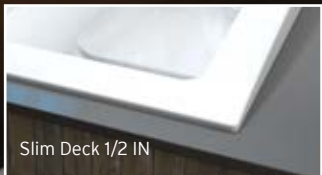




PRODUCT SHEET

INUA 7240

72" X 40" X 23"



| | |
|----------------------------|----|
| THERMOMASSEUR® BATH | \$ |
| THERMASENS® BATH | \$ |
| TUB | \$ |

| THERMOMASSEUR (TMU) | |
|---|----------|
| Jets | 58 |
| 1 heated backrest | included |
| MiaPlus® Control | included |
| Geysair® | included |
| AromaCloud® | \$ |
| Chromatherapy - 3 LED | \$ |
| 2 nd heated backrest (advanced technology) | \$ |

| THERMASENS (TMSU) | | TUB |
|---------------------------------|----------|-----------------------|
| AromaCloud® | included | \$ |
| Chromatherapy - 3 LED | included | \$ |
| WarmTouchShell® | included | \$ |
| DOT control | included | included with therapy |
| 2 nd WarmTouchShell® | \$ | \$ |

| FEATURES | | | |
|----------------|----|------------------------------|---------|
| Installation | | | Drop-in |
| No. of bathers | 2 | Inverted V | 2 |
| US gallons | 67 | Armrests | 4 |
| Imp. gallons | 56 | Grab bars (color match) | 2 |
| Raised seats | 2 | Comfort cushion (gray/black) | 2 |

| OPTIONAL UPCHARGE APPLICABLE | | |
|--|-----------|--|
| COLOR | | |
| Standard | | |
| | | |
| White | Biscuit | |
| Optional | | |
| | | |
| Black | Sandbar | Gray |
| | | \$ |
| FINISH | | |
| UltraVelour Matte Finish (White Only) | | \$ |
| CONTROL (TMU ONLY) | | |
| MiaMulti® | | \$ |
| CLEAR ACRYLIC GRAB BARS | | |
| With Chrome, Brass or Brushed nickel inserts | | \$ |
| WASTE & OVERFLOW | | |
| | 16" x 35" | INTEGRATED WASTE & OVERFLOW |
| White | \$ | \$ |
| Biscuit | \$ | \$ |
| Chrome | \$ | \$ |
| Brass | \$ | \$ |
| Brushed & Polished nickel | \$ | \$ |
| Oil-rubbed bronze | \$ | N/A |

SPECIFY THE COMFORT CUSHION COLOR: WARM GRAY OR BLACK. DON'T FORGET TO SPECIFY THE DECK HEIGHT (1/2" OR 1 1/2").

1 800 463.2187 info@bainultra.com From 8 a.m. to 8 p.m. Monday to Thursday (EST)
From 8 a.m. to 5 p.m. on Friday (EST)

INUA 7240 72" X 40" X 23"

TOTAL PRICE \$

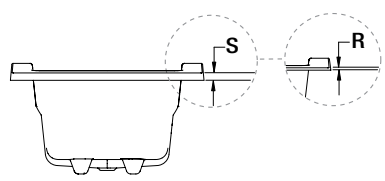
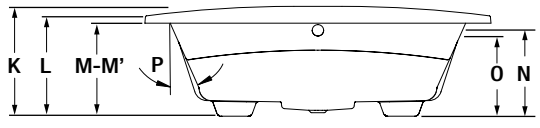
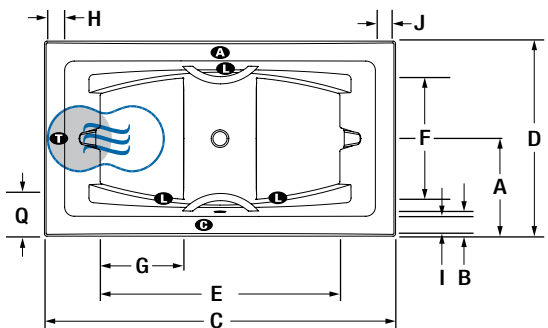
THERAPEUTIC COMFORT CUSHION - INCLUDED

Their ultras resistant urethane gel construction makes them:

- Extremely comfortable and soft to the touch
- Fully waterproof
- Remarkably durable
- Color available: Warm Gray + Black



DROP-IN INSTALLATION



| LETTER | DESCRIPTION | MEASURE |
|--------|--|---------|
| A | Outside edge to center drain | 20" |
| B | Outside edge to overflow | 4 1/2" |
| C | Total length | 72" |
| D | Total width | 40" |
| E | Bathing well length | 49 1/8" |
| F | Bathing well width at foot area | 25 1/8" |
| G | Raised seat length | 17 1/8" |
| H | Deck width at backrest end | 4 5/8" |
| I | Deck width | 4 5/8" |
| J | Deck width | 4 5/8" |
| K | Height from bottom of tub to top deck | 23" |
| L | Total height to headrest | 21" |
| M | Height from bottom of tub to bottom of lip (std deck) | 19 1/2" |
| M' | Height from bottom of tub to bottom of lip (slim deck) | 20 1/2" |
| N | Height from drain to center of overflow | 17 1/8" |
| O | Maximum water level | 15 3/8" |
| P | Slope of backrest | 24° |
| Q | Minimum spout reach | 8 3/4" |
| R | Slim deck minimum height | 1/2" |
| S | Standard deck minimum height | 1 1/2" |

- T** Indicates turbine position (TMU)
- L** Indicates LED light position
- H** Indicates heated backrest (TMU)
- C** Indicates control position when factory-installed
- W** Indicates WarmTouchShell position (TMSU)
- A** Indicates AromaCloud position

TECHNICAL SPECIFICATIONS

| | |
|----------------------------------|---|
| Hot water supply required | Should be 70% of water capacity of tub or greater. |
| Turbine | Access to the pump must be at least 18" X 22". Standard connection is 20 A, 120 V, 60 hz , dedicated line with a Ground-Fault Circuit Interrupter (GFCI). For any additional option, a second line is needed 15 A, 120 V, 60 hz , dedicated line with a GFCI. Air vent necessary: 2" X 4" minimum |

Our products must be installed by certified professionals only and according to our Owner's Manual as well as federal, provincial/state and local building codes and regulations (www.bainultra.com/documentation/documentation).

| | |
|--------------------------------|---------|
| Approx. shipping weight | 153 lbs |
| Turbine power | 600 W |
| Air heater | 700 W |

| WARRANTY | |
|-----------------------|----------|
| Controls-LED-Geysair* | 5 years |
| Bath & turbine* | 20 years |

*Some restrictions apply | www.bainultra.com/warranty



The specifications shown indicate the outer edge dimension and the inside bathing capacity dimension measured at air jets' height. The manufacturer accepts a 1/4" [0,64 cm] variance. There are variations on each product and specifications are subject to change as we improve upon our product as required. The dimensions needed for site preparation and structure building will differ. BainUltra® assumes no responsibility for preparatory work done prior to the product being on site.