

# PRODUCT SHEET

# INUA 6036

60" X 36" X 23"



Slim Deck



Standard Deck

<b>THERMOMASSEUR® BATH</b>	\$
<b>TUB</b>	\$

THERMOMASSEUR (TMU)	
Jets	46
1 heated backrest	included
MiaPlus® Control	included
Geysair®	included
AromaCloud®	\$
Illuzio Chromatherapy <b>NEW</b>	\$

TUB (soaker)	
AromaCloud®	\$
Illuzio Chromatherapy <b>NEW</b>	\$
WarmTouchShell®	\$
DOT control (standard location)	included with therapy

FEATURES			
Installation type			Drop-in
No. of bathers	↓	Inverted V	1
US gallons	54	Armrests	2
Imp. gallons	45	Grab bars (color match)	2
Raised seat	1	Comfort cushion (gray/black)	1

### OPTIONAL UPCHARGE APPLICABLE

#### COLOR

##### Standard



##### Optional



#### FINISH

UltraVelour Matte Finish (White Only) \$

#### CONTROL (TMU ONLY)

MiaMulti® \$

#### CLEAR ACRYLIC GRAB BARS

With Chrome, Brass or Brushed nickel inserts \$

WASTE & OVERFLOW	16" x 35"	INTEGRATED WASTE & OVERFLOW
White	\$	\$
Biscuit	\$	\$
Chrome	\$	\$
Brass	\$	\$
Brushed & Polished nickel	\$	\$
Oil-rubbed bronze	\$	N/A

SPECIFY THE COMFORT CUSHION COLOR: WARM GRAY OR BLACK. DON'T FORGET TO SPECIFY THE DECK HEIGHT (1/2" OR 1 1/2").

1 800 463.2187 info@bainultra.com

From 8 a.m. to 8 p.m. Monday to Thursday (EST)  
From 8 a.m. to 5 p.m. on Friday (EST)

**BainUltra®**

The quest for your wellness™

www.bainultra.com

# INUA 6036 60" X 36" X 23"

TOTAL PRICE	\$
-------------	----

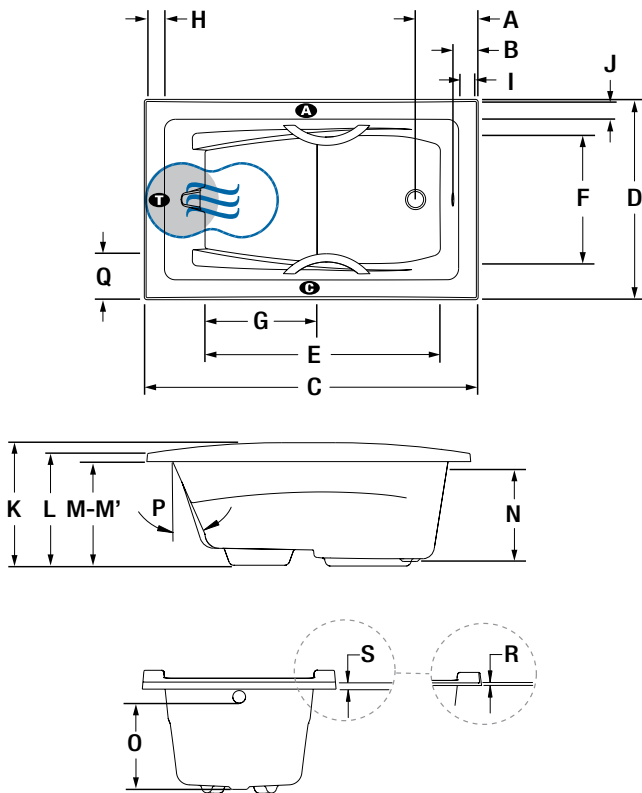
## THERAPEUTIC COMFORT CUSHION - INCLUDED

- Their ultras resistant urethane gel construction makes them:
- Extremely comfortable and soft to the touch
  - Fully waterproof
  - Remarkably durable
  - Color available: Warm Gray + Black



## DROP-IN INSTALLATION

**A** With the AromaCloud, you must choose to install the control or the faucet on opposite side.



LETTER	DESCRIPTION	MEASURE
A	Outside edge to center drain	11 1/4"
B	Outside edge to overflow	4 1/2"
C	Total length	60"
D	Total width	36"
E	Bathing well length	42 1/4"
F	Bathing well width at foot area	23"
G	Raised seat length	20 1/8"
H	Deck width at backrest end	4 1/8"
I	Deck width at drain end	4 1/8"
J	Deck width	4"
K	Height from bottom of tub to top deck	23"
L	Total height to headrest	21"
M	Height from bottom of tub to bottom of lip (std. deck)	19 1/2"
M'	Height from bottom of tub to bottom of lip (slim deck)	20 1/2"
N	Height from drain to center of overflow	17 1/8"
O	Maximum water level	15 3/8"
P	Slope of backrest	24°
Q	Minimum spout reach	8"
R	Slim deck minimum height	1/2"
S	Standard deck minimum height	1 1/2"

- A** AromaCloud position
- G** Control position when factory-installed (Mia or Dot)
- T** Turbine position (TMU)
- Heated backrest (TMU)
- ☄ WarmTouchShell position

## TECHNICAL SPECIFICATIONS

<b>Hot water supply required</b>	Should be 70% of water capacity of tub or greater.
<b>Turbine</b>	Access to the pump must be at least 18" X 22". <b>Standard connection is 20 A, 120 V, 60 hz</b> , dedicated line with a Ground-Fault Circuit Interrupter (GFCI). <b>For any additional option, a second line is needed 15 A, 120 V, 60 hz</b> , dedicated line with a GFCI. Air vent necessary: 2" X 4" minimum

Our products must be installed by certified professionals only and according to our Owner's Manual as well as federal, provincial/state and local building codes and regulations ([www.bainultra.com/documentation/documentation](http://www.bainultra.com/documentation/documentation)).

<b>Approx. shipping weight</b>	137 lbs
<b>Turbine power</b>	550 W
<b>Air heater</b>	600 W

## WARRANTY

Controls-LED-Geysair*	5 years
Bath & turbine*	20 years

\*Some restrictions apply | [www.bainultra.com/warranty](http://www.bainultra.com/warranty)



The specifications shown indicate the outer edge dimension and the inside bathing capacity dimension measured at air jets' height. The manufacturer accepts a 1/4" [0,64 cm] variance. There are variations on each product and specifications are subject to change as we improve upon our product as required. The dimensions needed for site preparation and structure building will differ. BainUltra® assumes no responsibility for preparatory work done prior to the product being on site.



PRODUCT SHEET  
**INUA 6636**  
 66" X 36" X 23"



Standard Deck



Slim Deck

<b>THERMOMASSEUR® BATH</b>	\$
<b>TUB</b>	\$

THERMOMASSEUR (TMU)	
Jets	50
1 heated backrest	included
MiaPlus® Control	included
Geysair®	included
AromaCloud®	\$
Illuzio Chromatherapy <b>NEW</b>	\$

TUB (soaker)	
AromaCloud®	\$
Illuzio Chromatherapy <b>NEW</b>	\$
WarmTouchShell®	\$
DOT control (standard location)	included with therapy

FEATURES			
Installation type			Drop-in
No. of bathers	↓	Inverted V	1
US gallons	62	Armrests	2
Imp. gallons	51	Grab bars (color match)	2
Raised seat	1	Comfort cushion (gray/black)	1

OPTIONAL UPCHARGE APPLICABLE		
<b>COLOR</b>		
<b>Standard</b>		
<input type="checkbox"/> White	<input type="checkbox"/> Biscuit	
<b>Optional</b>		
<input type="checkbox"/> Gray		\$
<b>FINISH</b>		
UltraVelour Matte Finish (White Only)		\$
<b>CONTROL (TMU ONLY)</b>		
MiaMulti®		\$
<b>CLEAR ACRYLIC GRAB BARS</b>		
With Chrome, Brass or Brushed nickel inserts		\$
<b>WASTE &amp; OVERFLOW</b>		<b>INTEGRATED WASTE &amp; OVERFLOW</b>
White	\$	\$
Biscuit	\$	\$
Chrome	\$	\$
Brass	\$	\$
Brushed & Polished nickel	\$	\$
Oil-rubbed bronze	\$	N/A

SPECIFY THE COMFORT CUSHION COLOR: WARM GRAY OR BLACK. DON'T FORGET TO SPECIFY THE DECK HEIGHT (1/2" OR 1 1/2").

1 800 463.2187 info@bainultra.com | From 8 a.m. to 8 p.m. Monday to Thursday (EST)  
 From 8 a.m. to 5 p.m. on Friday (EST)

# INUA 6636 66" X 36" X 23"

TOTAL PRICE

\$

## THERAPEUTIC COMFORT CUSHION - INCLUDED

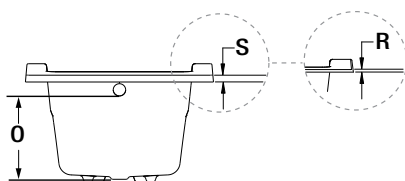
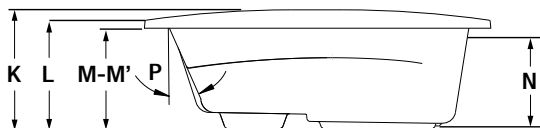
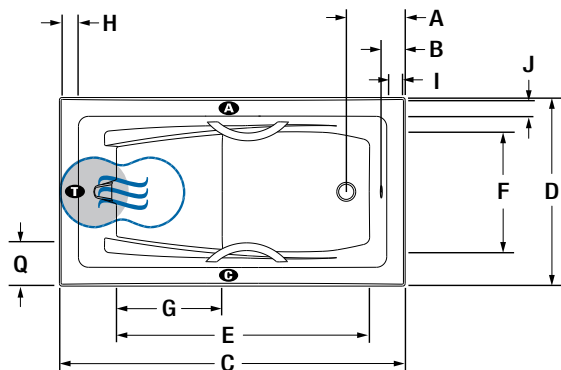
Their ultras resistant urethane gel construction makes them:

- Extremely comfortable and soft to the touch
- Fully waterproof
- Remarkably durable
- Color available: Warm Gray + Black



## DROP-IN INSTALLATION

- Ⓐ With the AromaCloud, you must choose to install the control or the faucet on opposite side.



LETTER	DESCRIPTION	MEASURE
A	Outside edge to center drain	11 1/4"
B	Outside edge to overflow	4 1/2"
C	Total length	66"
D	Total width	36"
E	Bathing well length	48 1/8"
F	Bathing well width at foot area	22 7/8"
G	Raised seat length	20 1/8"
H	Deck width at backrest end	4 1/8"
I	Deck width at drain end	4 1/8"
J	Deck width	4"
K	Height from bottom of tub to top deck	23"
L	Total height to headrest	21"
M	Height from bottom of tub to bottom of lip (std deck)	19 1/2"
M'	Height from bottom of tub to bottom of lip (slim deck)	20 1/2"
N	Height from drain to center of overflow	17 1/8"
O	Maximum water level	15 3/8"
P	Slope of backrest	24°
Q	Minimum spout reach	8"
R	Slim deck minimum height	1/2"
S	Standard deck minimum height	1 1/2"

- Ⓐ AromaCloud position
- Heated backrest (TMU)
- Ⓒ Control position when factory-installed (Mia or Dot)
- Ⓜ WarmTouchShell position
- Ⓣ Turbine position (TMU)

## TECHNICAL SPECIFICATIONS

<b>Hot water supply required</b>	Should be 70% of water capacity of tub or greater.
<b>Turbine</b>	Access to the pump must be at least 18" X 22". <b>Standard connection is 20 A, 120 V, 60 hz</b> , dedicated line with a Ground-Fault Circuit Interrupter (GFCI). <b>For any additional option, a second line is needed 15 A, 120 V, 60 hz</b> , dedicated line with a GFCI. Air vent necessary: 2" X 4" minimum

Our products must be installed by certified professionals only and according to our Owner's Manual as well as federal, provincial/state and local building codes and regulations ([www.bainultra.com/documentation/documentation](http://www.bainultra.com/documentation/documentation)).

<b>Approx. shipping weight</b>	138 lbs
<b>Turbine power</b>	550 W
<b>Air heater</b>	600 W

## WARRANTY

Controls-LED-Geysair*	5 years
Bath & turbine*	20 years

\*Some restrictions apply | [www.bainultra.com/warranty](http://www.bainultra.com/warranty)



The specifications shown indicate the outer edge dimension and the inside bathing capacity dimension measured at air jets' height. The manufacturer accepts a 1/4" [0.64 cm] variance. There are variations on each product and specifications are subject to change as we improve upon our product as required. The dimensions needed for site preparation and structure building will differ. BainUltra® assumes no responsibility for preparatory work done prior to the product being on site.





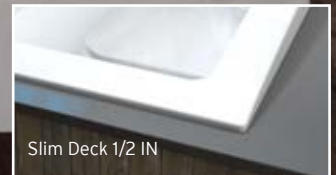
# PRODUCT SHEET

# INUA 7240

72" X 40" X 23"



Standard Deck



Slim Deck 1/2 IN

<b>THERMOMASSEUR® BATH</b>	\$
<b>TUB</b>	\$

THERMOMASSEUR (TMU)	
Jets	58
1 heated backrest	included
MiaPlus® Control	included
Geysair®	included
AromaCloud®	\$
Illuzio Chromatherapy <b>NEW</b>	\$
2 <sup>nd</sup> heated backrest (advanced technology)	\$

TUB (soaker)	
AromaCloud®	\$
Illuzio Chromatherapy <b>NEW</b>	\$
WarmTouchShell®	\$
DOT control (standard location)	included with therapy
2 <sup>nd</sup> WarmTouchShell®	\$

FEATURES			
Installation type			Drop-in
No. of bathers	2	Inverted V	2
US gallons	67	Armrests	4
Imp. gallons	56	Grab bars (color match)	2
Raised seats	2	Comfort cushion (gray/black)	2

OPTIONAL UPCHARGE APPLICABLE		
<b>COLOR</b>		
<b>Standard</b>		
<input type="checkbox"/>	<input type="checkbox"/>	
White	Biscuit	
<b>Optional</b>		
<input type="checkbox"/>		\$
Gray		
<b>FINISH</b>		
UltraVelour Matte Finish (White Only)		\$
<b>CONTROL (TMU ONLY)</b>		
MiaMulti®		\$
<b>CLEAR ACRYLIC GRAB BARS</b>		
With Chrome, Brass or Brushed nickel inserts		\$
<b>WASTE &amp; OVERFLOW</b>		
	16" x 35"	<b>INTEGRATED WASTE &amp; OVERFLOW</b>
White	\$	\$
Biscuit	\$	\$
Chrome	\$	\$
Brass	\$	\$
Brushed & Polished nickel	\$	\$
Oil-rubbed bronze	\$	N/A

SPECIFY THE COMFORT CUSHION COLOR: WARM GRAY OR BLACK. DON'T FORGET TO SPECIFY THE DECK HEIGHT (1/2" OR 1 1/2").

1 800 463.2187 [info@bainultra.com](mailto:info@bainultra.com) | From 8 a.m. to 8 p.m. Monday to Thursday (EST)  
From 8 a.m. to 5 p.m. on Friday (EST)

# INUA 7240 72" X 40" X 23"

TOTAL PRICE

\$

## THERAPEUTIC COMFORT CUSHION - INCLUDED

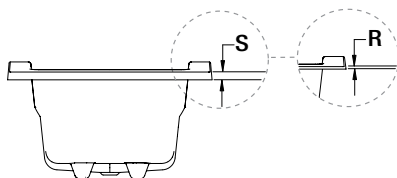
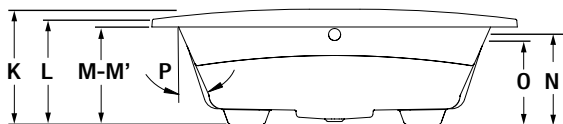
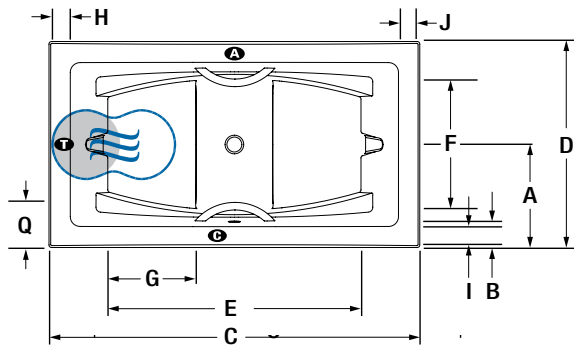
Their ultras resistant urethane gel construction makes them:

- Extremely comfortable and soft to the touch
- Fully waterproof
- Remarkably durable
- Color available: Warm Gray + Black



## DROP-IN INSTALLATION

- Ⓐ With the AromaCloud, you must choose to install the control or the faucet on opposite side.



LETTER	DESCRIPTION	MEASURE
A	Outside edge to center drain	20"
B	Outside edge to overflow	4 1/2"
C	Total length	72"
D	Total width	40"
E	Bathing well length	49 1/8"
F	Bathing well width at foot area	25 1/8"
G	Raised seat length	17 1/8"
H	Deck width at backrest end	4 5/8"
I	Deck width	4 5/8"
J	Deck width	4 5/8"
K	Height from bottom of tub to top deck	23"
L	Total height to headrest	21"
M	Height from bottom of tub to bottom of lip (std deck)	19 1/2"
M'	Height from bottom of tub to bottom of lip (slim deck)	20 1/2"
N	Height from drain to center of overflow	17 1/8"
O	Maximum water level	15 3/8"
P	Slope of backrest	24°
Q	Minimum spout reach	8 3/4"
R	Slim deck minimum height	1/2"
S	Standard deck minimum height	1 1/2"

- Ⓐ AromaCloud position
- Ⓒ Control position when factory-installed (Mia or Dot)
- Ⓓ Turbine position (TMU)
- Heated backrest (TMU)
- ☄ WarmTouchShell position

## TECHNICAL SPECIFICATIONS

<b>Hot water supply required</b>	Should be 70% of water capacity of tub or greater.
<b>Turbine</b>	Access to the pump must be at least 18" X 22". <b>Standard connection is 20 A, 120 V, 60 hz</b> , dedicated line with a Ground-Fault Circuit Interrupter (GFCI). <b>For any additional option, a second line is needed 15 A, 120 V, 60 hz</b> , dedicated line with a GFCI. Air vent necessary: 2" X 4" minimum

Our products must be installed by certified professionals only and according to our Owner's Manual as well as federal, provincial/state and local building codes and regulations ([www.bainultra.com/documentation/documentation](http://www.bainultra.com/documentation/documentation)).

The specifications shown indicate the outer edge dimension and the inside bathing capacity dimension measured at air jets' height. The manufacturer accepts a 1/4" [0,64 cm] variance. There are variations on each product and specifications are subject to change as we improve upon our product as required. The dimensions needed for site preparation and structure building will differ. BainUltra® assumes no responsibility for preparatory work done prior to the product being on site.

<b>Approx. shipping weight</b>	153 lbs
<b>Turbine power</b>	550 W
<b>Air heater</b>	600 W

## WARRANTY

Controls-LED-Geysair*	5 years
Bath & turbine*	20 years

\*Some restrictions apply | [www.bainultra.com/warranty](http://www.bainultra.com/warranty)

