



PRODUCT SHEET

MONARCH 6638F

66" X 38" X 20"



	ORIGINAL Quartz Deck with Seam	GRAND LUXURY One Piece Quartz Deck
THERMOMASSEUR® BATH	\$	\$
TUB	\$	\$

THERMOMASSEUR (TMU)	
Jets	42
1 heated backrest	included
MiaPlus® Control (uninstalled)	included
Geysair®	included
AromaCloud®	N/A
Chromatherapy	\$
2nd heated backrest	\$

TUB no therapy	
Chromatherapy	\$
WarmTouchShell®	\$
DOT control	included with therapy
2nd WarmTouchShell®	\$

FEATURES			
Installation	Drop-in or Alcove (3 walls)		
No. of bathers		Imp. gallons	42
US gallons	50	Integrated waste & overflow	inst. & incl.

INTEGRATED WASTE & OVERFLOW	
Chrome, White	
Brass, Brushed Nickel, Polished Nickel	

COLOR (INNER SHELL)	DECK COLOR
Standard White	Standard Grey Expo Noka Jet Black Lagos Blue

OPTIONAL UPCHARGE APPLICABLE

FINISH (INNER SHELL)	
UltraVelour Matte Finish (White Only)	\$
DECK COLOR	
Optional Quasar Light Piatra Grey Emperador Tuscan Dawn Statuario Maximus	\$
QUARTZ SKIRT	MONARCH SKIRT 6618
Quartz Skirt Color	\$
CONTROL (TMU ONLY)	
MiaMulti® (uninstalled)	\$
WASTE & OVERFLOW	
Chrome	\$
White	\$
Brass	\$
Brushed nickel, Polished nickel & Oil-rubbed bronze	\$
TILE FLANGE (specify front or back)	
Ordered with bath, uninstalled	\$
Factory installed	\$

DON'T FORGET THAT THIS MODEL IS AVAILABLE IN WHITE ONLY WITH CHOICE OF DECK COLOR. DON'T FORGET TO SPECIFY THE FINISH OF THE INTEGRATED WASTE & OVERFLOW.

1 800 463.2187
 info@bainultra.com

From 8 a.m. to 8 p.m. Monday to Thursday (EST)
 From 8 a.m. to 5 p.m. on Friday (EST)

MONARCH 6638F 66" X 38" X 20"

ACCESSORIES (OPTIONAL)

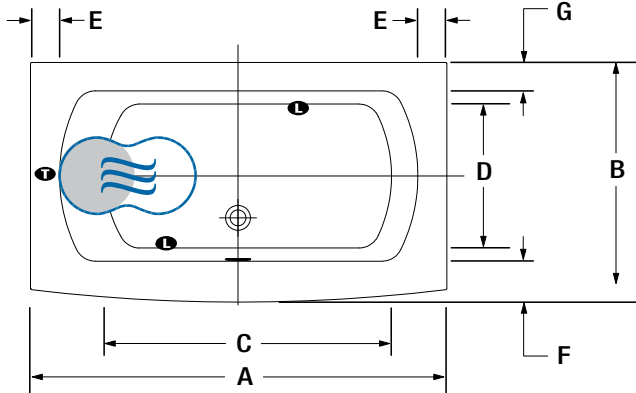
OTHER

Control cannot be installed on the quartz deck.

TOTAL PRICE

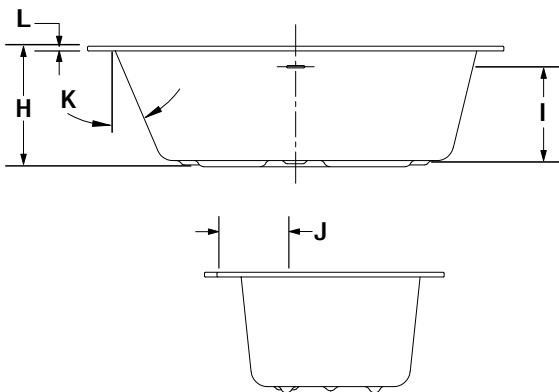
\$

DROP-IN/ALCOVE INSTALLATION



LETTER	DESCRIPTION	MEASURE
A	Total length	66"
B	Total width	38"
C	Bathing well length (at height of jets)	46 1/8"
D	Bathing well width (at height of jets)	23 1/4"
E	Deck width (backrest)	4 3/4"
F	Deck width (straight side)	4 5/8"
G	Deck width (curved side)	6 5/8"
H	Tub height	19 5/8"
I	Height from waste to center of overflow	15 1/2"
J	Outside edge to center waste	13 3/8"
K	Slope of backrest	23°
L	Quartz deck height	3/4"

-  Indicates turbine position (TMU)
-  Indicates LED light position
-  Indicates WarmTouchShell position (TUB)
-  Indicates heated backrest (TMU)



TECHNICAL SPECIFICATIONS

Hot water supply required	Should be 70% of water capacity of tub or greater.
Turbine	Access to the pump must be at least 18" X 22". Standard connection is 20 A, 120 V, 60 hz , dedicated line with a Ground-Fault Circuit Interrupter (GFCI). For any additional option, a second line is needed 15 A, 120 V, 60 hz , dedicated line with a GFCI.

Our products must be installed by certified professionals only and according to our Owner's Manual as well as federal, provincial/state and local building codes and regulations (www.bainultra.com/documentation/documentation).

Approx. shipping weight	260 lbs
Turbine power	600 W
Air heater	600 W

WARRANTY

Controls-LED-Geysair*	5 years
Quartz Deck*	15 years
Bath & turbine*	20 years

*Some restrictions apply | www.bainultra.com/warranty

The specifications shown indicate the outer edge dimension and the inside bathing capacity dimension measured at air jets' height. The manufacturer accepts a 1/4" [0,64 cm] variance. There are variations on each product and specifications are subject to change as we improve upon our product as required. The dimensions needed for site preparation and structure building will differ. BainUltra® assumes no responsibility for preparatory work done prior to the product being on site.

