



PRODUCT SHEET
NOKORI OVAL 6737
 67" X 37" X 24"



FREESTANDING

THERMOMASSEUR® BATH	\$
TUB no therapy	\$

THERMOMASSEUR (TMU)

Jets	40
1 heated backrest	included
MiaPlus® Control* (not installed)	included
Geysair®	included
AromaCloud®	N/A
Chromatherapy - 3 LED	\$
2 nd heated backrest (advanced technology)	\$

TUB no therapy

AromaCloud®	N/A
Chromatherapy - 3 LED	\$
WarmTouchShell®	\$
DOT control (not installed)	included with therapy
2 nd WarmTouchShell	\$

FEATURES

Installation	Freestanding		
No. of bathers		Integrated waste & overflow	inst. & incl.
US gallons	66		
Imp. gallons	55		

INTEGRATED WASTE & OVERFLOW

Chrome, White
Brass, Brushed Nickel, Polished Nickel

FEATURES INCLUDED

COLOR

Standard



White

INTEGRATED WASTE & OVERFLOW

Chrome, White
Brass, Brushed Nickel, Polished Nickel

OPTIONAL UPCHARGE APPLICABLE

FINISH

UltraVelour Matte Finish (White Only)**	\$
---	----

CONTROL* (TMU ONLY)

MiaMulti®	\$
-----------	----

ISLAND TUB DRAIN™**

Island Tub Drain™	\$
-------------------	----



DON'T FORGET THAT THIS TUB IS AVAILABLE IN **WHITE ONLY**.
 * CONTROL AND FAUCET CANNOT BE INSTALLED ON THE DECK OF THE BATH.
 ** AN ISLAND TUB DRAIN™ IS REQUIRED WHEN THERE IS **NO ACCESS UNDER THE BATH**.
 ‡ FOR THIS MODEL, THE ISLAND TUB DRAIN IS COMPATIBLE ONLY WITH BRASS WASTE & OVERFLOW KIT (BDRCOB) AND BRASS WASTE KIT (BDRCB).

1 800 463.2187
 info@bainultra.com

From 8 a.m. to 8 p.m. Monday to Thursday (EST)
 From 8 a.m. to 5 p.m. on Friday (EST)



The quest for your wellness®

www.bainultra.com

NOKORI OVAL 6737 67" X 37" X 24"

ACCESSORIES (OPTIONAL)

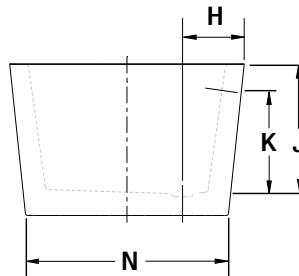
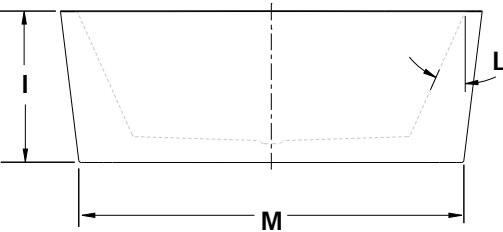
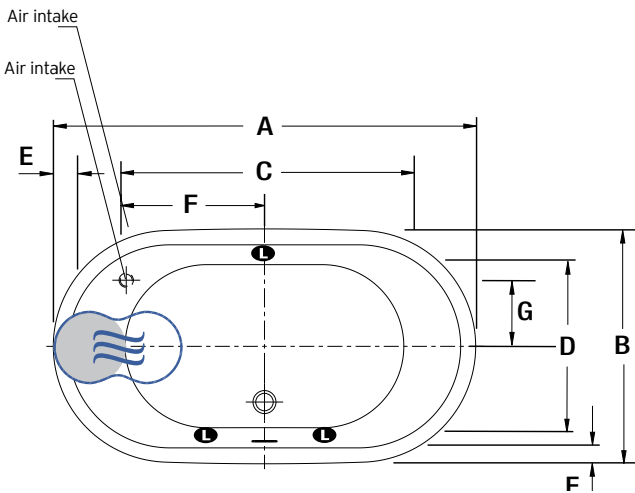
OTHERS

- Faucet must be freestanding or wall-mounted.
- Controls cannot be installed on the bath.
- The turbine should be remotely installed.
- Detailed plan available on Web Site.

TOTAL PRICE

\$

FREESTANDING INSTALLATION



LETTER	DESCRIPTION	MEASURE
A	Total length	66 1/2"
B	Total width	37"
C	Bathing well length	45 3/4"
D	Bathing well width	26 1/4"
E	Deck width	2 7/8"
F	Distance from air intake to center of drain (long axis)	21 3/4"
G	Distance from air intake to center of drain (trans axis)	10 3/8"
H	Distance from center of drain to deck side	9 3/4"
I	Total height	24"
J	Height from drain to top of deck	20 1/2"
K	Height from drain to center of overflow	16 1/8"
L	Slope of backrest	24°
M	Base length	60 3/4"
N	Base width	32"

● Indicates LED light position

● Indicates heated backrest (TMU)

W Indicates WarmTouchShell position

TECHNICAL SPECIFICATIONS

Hot water supply required	Should be 70% of water capacity of tub or greater.
Turbine	Access to the pump must be at least 18" X 22". Standard connection is 20 A. 120 V, 60 hz, dedicated line with a Ground-Fault Circuit Interrupter (GFCI). For any additional option, a second line is needed 15 A. 120 V, 60 hz, dedicated line with a GFCI. Air vent necessary: 8 sq. in. minimum

Our products must be installed by certified professionals only and according to our Owner's Manual as well as federal, provincial/state and local building codes and regulations (www.bainultra.com/documentation/documentation).

The specifications shown indicate the outer edge dimension and the inside bathing capacity dimension measured at air jets' height. The manufacturer accepts a 1/4" [0,64 cm] variance. There are variations on each product and specifications are subject to change as we improve upon our product as required. The dimensions needed for site preparation and structure building will differ. BainUltra® assumes no responsibility for preparatory work done prior to the product being on site.

Approx. shipping weight	270 lbs
Turbine power	600 W
Air heater	600 W

WARRANTY

Controls-LED-Geysair*	5 years
Bath & turbine*	20 years

*Some restrictions apply | www.bainultra.com/warranty

