

PRODUCT SHEET
OPALIA 6839
 CENTERED ELLIPSE 68" X 39" X 25"



| | |
|----------------------------|----|
| THERMOMASSEUR® BATH | \$ |
| THERMASENS® BATH | \$ |
| TUB | \$ |

| THERMOMASSEUR (TMU) | |
|---------------------------------|----------|
| Jets | 35 |
| 1 heated backrest | included |
| MiaPlus® Control (uninstalled) | included |
| Geysair® | included |
| AromaCloud® | \$ |
| Chromatherapy - 3 LED | \$ |
| 2 nd heated backrest | \$ |

| THERMASENS (TMSU) | | TUB |
|---------------------------------|----------|-----------------------|
| AromaCloud® | included | \$ |
| Chromatherapy - 3 LED | included | \$ |
| WarmTouchShell® | included | \$ |
| DOT control | included | included with therapy |
| 2 nd WarmTouchShell® | \$ | \$ |

| FEATURES | | | |
|--|--------------|-----------------------------|---------------|
| Installation | Freestanding | | |
| No. of bathers | | Imp. gallons | 42 |
| US gallons | 51 | Integrated waste & overflow | inst. & incl. |
| INTEGRATED WASTE & OVERFLOW | | | |
| Chrome, White | | | |
| Brass, Brushed Nickel, Polished Nickel | | | |

| FEATURES (INCLUDED) | |
|--------------------------|-------|
| COLOR | |
| Standard | |
| <input type="checkbox"/> | White |

| OPTIONAL UPCHARGE APPLICABLE | |
|---------------------------------------|----|
| FINISH | |
| UltraVelour Matte Finish (White Only) | \$ |
| CONTROL (TMU ONLY) | |
| MiaMulti® (uninstalled) | \$ |

DON'T FORGET THAT THIS MODEL IS AVAILABLE IN WHITE ONLY.
 DON'T FORGET TO SPECIFY THE FINISH OF THE INTEGRATED WASTE & OVERFLOW.

1 800 463.2187
 info@bainultra.com

From 8 a.m. to 8 p.m. Monday to Thursday (EST)
 From 8 a.m. to 5 p.m. on Friday (EST)

OPALIA 6839 CENTERED ELLIPSE 68" X 39" X 25"

ACCESSORIES (OPTIONAL)

CUTTING TEMPLATE

#90000073

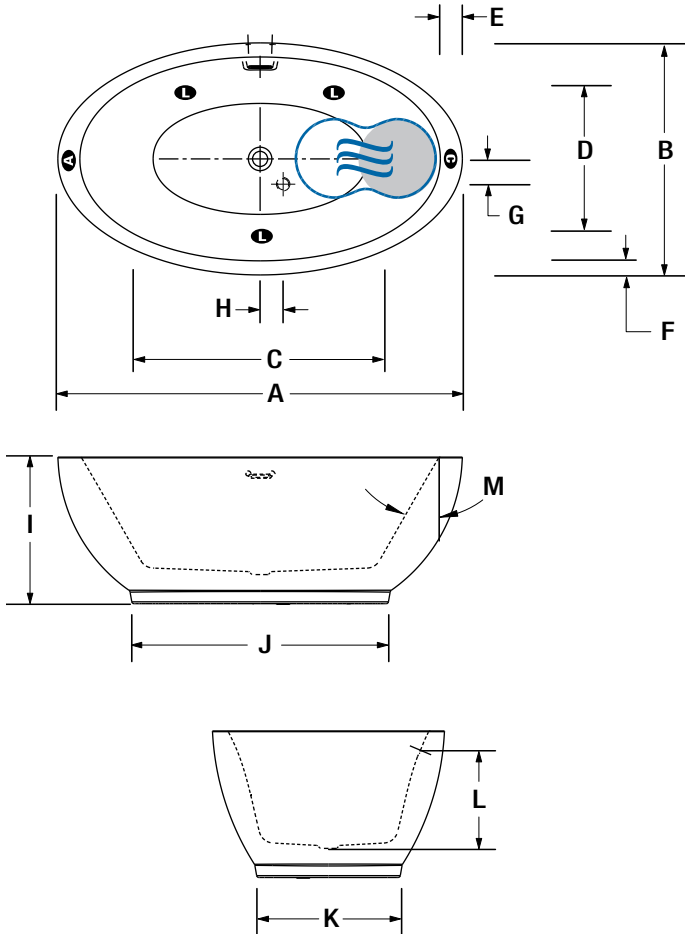
OTHERS

- Faucet must be freestanding or wall-mounted.
- The turbine must be remotely installed.

TOTAL PRICE

\$

FREESTANDING INSTALLATION



| LETTER | DESCRIPTION | MEASURE |
|--------|---|---------|
| A | Total length | 68" |
| B | Total width | 39" |
| C | Bathing well length (at height of jets) | 41 5/8" |
| D | Bathing well width (at height of jets) | 23 5/8" |
| E | Deck width (backrest) | 3 3/4" |
| F | Deck width (sides) | 2 3/8" |
| G | Distance from air intake to center of waste (long axis) | 4 1/4" |
| H | Distance from air intake to center of waste (trans. axis) | 3 7/8" |
| I | Tub height | 24 3/4" |
| J | Length of the base | 43" |
| K | Width of the base | 24" |
| L | Height from waste to center of overflow | 16" |
| M | Slope of backrest | 31° |

Ⓜ Indicates turbine position (TMU)

Ⓛ Indicates LED light position

Ⓜ Indicates WarmTouchShell position (TUB)

● Indicates heated backrest (TMU)

TECHNICAL SPECIFICATIONS

Hot water supply required Should be 70% of water capacity of tub or greater.

Turbine Access to the pump must be at least 18" X 22". **Standard connection is 20 A, 120 V, 60 hz, dedicated line with a Ground-Fault Circuit Interrupter (GFCI). For any additional option, a second line is needed 15 A, 120 V, 60 hz, dedicated line with a GFCI.**

Our products must be installed by certified professionals only and according to our Owner's Manual as well as federal, provincial/state and local building codes and regulations (www.bainultra.com/documentation/documentation).

Approx. shipping weight 230 lbs

Turbine power 600 W

Air heater 600 W

WARRANTY

Controls-LED-Geysair* 5 years

Bath & turbine* 20 years

*Some restrictions apply | www.bainultra.com/warranty

The specifications shown indicate the outer edge dimension and the inside bathing capacity dimension measured at air jets' height. The manufacturer accepts a 1/4" [0,64 cm] variance. There are variations on each product and specifications are subject to change as we improve upon our product as required. The dimensions needed for site preparation and structure building will differ. BainUltra® assumes no responsibility for preparatory work done prior to the product being on site.

