

PRODUCT SHEET

OPALIA 6839

OBLIQUE ELLIPSE - LEFT 68" X 39" X 25"



THERMOMASSEUR® BATH	\$
THERMASENS® BATH	\$
TUB	\$

THERMOMASSEUR (TMU)	
Jets	35
1 heated backrest	included
MiaPlus® Control (uninstalled)	included
Geysair®	included
AromaCloud®	\$
Chromatherapy - 3 LED	\$
2 nd heated backrest	\$

THERMASENS (TMSU)		TUB
AromaCloud®	included	\$
Chromatherapy - 3 LED	included	\$
WarmTouchShell®	included	\$
DOT control	included	included with therapy
2 nd WarmTouchShell®	\$	\$

FEATURES			
Installation	Freestanding		
No. of bathers		Imp. gallons	42
US gallons	51	Integrated waste & overflow	inst. & incl.

INTEGRATED WASTE & OVERFLOW	
Chrome, White	
Brass, Brushed Nickel, Polished Nickel	

FEATURES (INCLUDED)	
COLOR	
Standard	
<input type="checkbox"/>	White

OPTIONAL UPCHARGE APPLICABLE	
FINISH	
UltraVelour Matte Finish (White Only)	\$
CONTROL (TMU ONLY)	
MiaMulti® (uninstalled)	\$

DON'T FORGET THAT THIS MODEL IS AVAILABLE IN WHITE ONLY.
DON'T FORGET TO SPECIFY THE FINISH OF THE INTEGRATED WASTE & OVERFLOW.

1 800 463.2187 From 8 a.m. to 8 p.m. Monday to Thursday (EST)
 info@bainultra.com From 8 a.m. to 5 p.m. on Friday (EST)

OPALIA 6839 OBLIQUE ELLIPSE - LEFT 68" X 39" X 25"

ACCESSORIES (OPTIONAL)

CUTTING TEMPLATE

#90000073

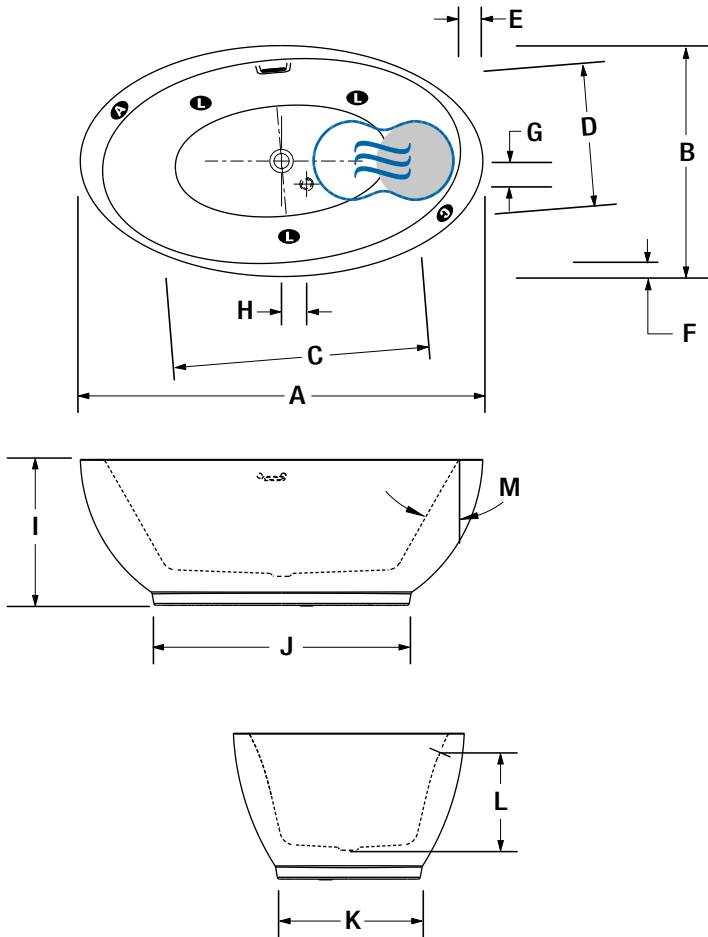
OTHERS

- Faucet must be freestanding or wall-mounted.
- The turbine must be remotely installed.

TOTAL PRICE

\$

FREESTANDING INSTALLATION



LETTER	DESCRIPTION	MEASURE
A	Total length	68"
B	Total width	39"
C	Bathing well length (at height of jets)	41 5/8"
D	Bathing well width (at height of jets)	23 5/8"
E	Deck width (backrest)	3 7/8"
F	Deck width (sides)	2 3/8"
G	Distance from air intake to center of waste (long axis)	3 7/8"
H	Distance from air intake to center of waste (trans. axis)	4 1/4"
I	Tub height	24 3/4"
J	Length of the base	43"
K	Width of the base	24"
L	Height from waste to center of overflow	16"
M	Slope of backrest	31°

T Indicates turbine position (TMU)

L Indicates LED light position

W Indicates WarmTouchShell position (TUB)

● Indicates heated backrest (TMU)

TECHNICAL SPECIFICATIONS

Hot water supply required

Should be 70% of water capacity of tub or greater.

Turbine

Access to the pump must be at least 18" X 22". **Standard connection is 20 A, 120 V, 60 hz, dedicated line with a Ground-Fault Circuit Interrupter (GFCI). For any additional option, a second line is needed 15 A, 120 V, 60 hz, dedicated line with a GFCI.**

Our products must be installed by certified professionals only and according to our Owner's Manual as well as federal, provincial/state and local building codes and regulations (www.bainultra.com/documentation/documentation).

Approx. shipping weight

230 lbs

Turbine power

600 W

Air heater

600 W

WARRANTY

Controls-LED-Geysair*

5 years

Bath & turbine*

20 years

*Some restrictions apply | www.bainultra.com/warranty

The specifications shown indicate the outer edge dimension and the inside bathing capacity dimension measured at air jets' height. The manufacturer accepts a 1/4" [0,64 cm] variance. There are variations on each product and specifications are subject to change as we improve upon our product as required. The dimensions needed for site preparation and structure building will differ. BainUltra® assumes no responsibility for preparatory work done prior to the product being on site.

