



PRODUCT SHEET
ORA OVAL 6838
 FREESTANDING 68" X 38" X 25"



FREESTANDING

THERMOMASSEUR® BATH	\$
THERMASENS® BATH	\$
TUB no therapy	\$

THERMOMASSEUR (TMU)	
Jets	37
1 heated backrest	included
1 heated headrest	included
MiaPlus® Control	included
Geysair®	included
AromaCloud®	\$
Chromatherapy - 2 LED	\$

THERMASENS (TMSU)		TUB
AromaCloud®	included	\$
Chromatherapy - 2 LED	included	\$
WarmTouchShell®	included	\$
DOT control	included	included with therapy

FEATURES			
Installation			Freestanding
No. of bather	↓	Integrated headrest	1
US gallons	50	Integrated waste & overflow	inst. & incl.
Imp. gallons	41		


INTEGRATED WASTE & OVERFLOW	
Chrome, White	
Brass, Brushed Nickel, Polished Nickel	

OPTIONS

COLOR	
Standard	
<input type="checkbox"/>	White

OPTIONAL UPCHARGE APPLICABLE

FINISH	
UltraVelour Matte Finish (White Only)	\$
CONTROL (TMU ONLY)	
MiaMulti®	\$
ISLAND TUB DRAIN™ *	
Island Tub Drain™	\$

 **DON'T FORGET THAT THIS MODEL IS AVAILABLE IN WHITE ONLY.**
INSERT CAN BE LOCATED ON THE OVERFLOW SIDE OR OPPOSITE SIDE. CONTROL WILL BE INSTALLED ON THE OPPOSITE SIDE OF THE AROMACLOUD.
DON'T FORGET TO SPECIFY THE FINISH OF THE INTEGRATED WASTE & OVERFLOW.
 * AN ISLAND TUB DRAIN IS REQUIRED WHEN THERE IS NO ACCESS UNDER THE BATH.

1 800 463.2187  **From 8 a.m. to 8 p.m. Monday to Thursday (EST)**
info@bainultra.com **From 8 a.m. to 5 p.m. on Friday (EST)**

ORA OVAL 6838 FREESTANDING 68" X 38" X 25"

ACCESSORIES (OPTIONAL)

Cutting Template # 90000060

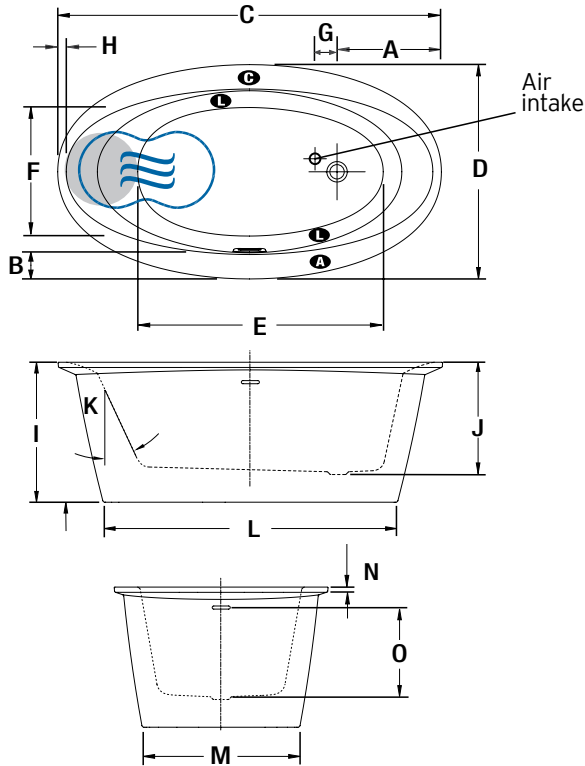
OTHERS

- **Faucet** can be freestanding or installed on the deck (specify **overflow side** or **opposite side**).
- For faucet installed on the deck, the concealed side of the bath has a **full height insert**. When only the Aromacloud is installed on the deck, a **short insert** is built in the concealed side of the bath (See technical drawings below).

TOTAL PRICE

\$

FREESTANDING INSTALLATION



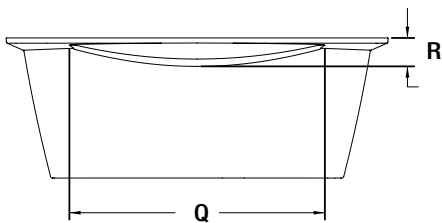
LETTER	DESCRIPTION	MEASURE
A	Outside edge to center drain	18 3/8"
B	Deck width*	4"
C	Total length	68"
D	Total width	38"
E	Bathing well length	44 1/4"
F	Bathing well width	23 1/8"
G	Distance from center air intake to center drain	4 1/4"
H	Deck width at backrest end*	1 3/8"
I	Total height to headrest	25"
J	Height from drain to top deck	19 1/2"
K	Slope of backrest	25°
L	Base length	52"
M	Base width	28"
N	Deck thickness	7/8"
O	Height from drain to center of overflow	16 5/8"
Q	Short Insert width	45 1/2"
R	Short Insert height	5"
S	Full Height Insert top width	30"
T	Full Height Insert bottom width	22 1/8"

- indicates control position (TMU)
- indicates heated backrest (TMU)
- indicates LED light position
- indicates AromaCloud position
- ☞ indicates WarmTouchShell position (TMSU)

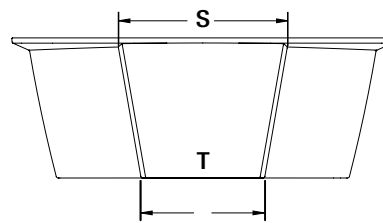
Notes: **Control** will be installed on the **opposite side of the AromaCloud**. **Insert** can be located on the **overflow side** or **opposite side**.

AROMA CLOUD & FAUCET INSTALLATION ON THE DECK * Plumbing zone deck width = 2 3/4"

SHORT INSERT for AromaCloud installed on the deck*.



Full Height Insert for faucet installed on the deck*.



TECHNICAL SPECIFICATIONS

Hot water supply required Should be 70% of water capacity of tub or greater.

Turbine Access to the pump must be at least 18" X 22". **Standard connection is 20 A. 120 V, 60 hz**, dedicated line with a Ground-Fault Circuit Interrupter (GFCI). **For any additional option, a second line is needed 15 A. 120 V, 60 hz**, dedicated line with a GFCI. Air vent necessary: 2" X 4" minimum

Our products must be installed by certified professionals only and according to our Owner's Manual as well as federal, provincial/state and local building codes and regulations (www.bainultra.com/documentation/documentation).

Approx. shipping weight 250 lbs

Turbine power 600 W

Air heater 700 W

WARRANTY

Controls-LED-Geysair* 5 years

Bath & turbine* 20 years

*Some restrictions apply | www.bainultra.com/warranty

The specifications shown indicate the outer edge dimension and the inside bathing capacity dimension measured at air jets' height. The manufacturer accepts a 1/4" [0,64 cm] variance. There are variations on each product and specifications are subject to change as we improve upon our product as required. The dimensions needed for site preparation and structure building will differ. BainUltra® assumes no responsibility for preparatory work done prior to the product being on site.

