



PRODUCT SHEET
SCALA 7242 NEW
 72" X 42" X 25"



FREESTANDING

THERMOMASSEUR® BATH	\$
TUB	\$

THERMOMASSEUR (TMU)	
Jets	41
1 heated backrest & headrest	included
MiaMulti® Control*	included
Geysair®	included
AromaCloud®	N/A
Illuzio Chromatherapy NEW	\$
2 nd heated backrest (advanced technology)	\$

TUB (soaker)	
AromaCloud®	N/A
Illuzio Chromatherapy NEW	\$
WarmTouchShell®	\$
2 nd WarmTouchShell®	\$
DOT control	included with therapy

FEATURES			
Installation type		Freestanding	
No. of bathers		Integrated waste & overflow	inst. & incl.
US gallons	76	MiaMulti® Control	included
Imp. gallons	63	Feet (specify finish)	included

FEATURES

COLOR

Standard



White

INTEGRATED WASTE & OVERFLOW

White, Chrome, Polished Nickel, Brushed Nickel	included
Brass, Black Chrome, Satin Brass, Matte Black	\$

FEET

Chrome, Polished Nickel, Brushed Nickel	included
Brass, Black Chrome, Satin Brass, Matte Black	\$

OPTIONAL UPCHARGE APPLICABLE

FINISH

UltraVelour Matte Finish (White Only)	\$
---------------------------------------	----

ARMRESTS (2)

Chrome, Polished Nickel, Brushed Nickel	\$
Brass, Black Chrome, Satin Brass, Matte Black	\$

ISLAND TUB DRAIN™**

Island Tub Drain™	\$
-------------------	----



DON'T FORGET THAT THIS MODEL IS AVAILABLE IN WHITE ONLY. DON'T FORGET TO SPECIFY THE FINISH OF THE INTEGRATED WASTE & OVERFLOW, FEET AND ARMRESTS.

* CONTROL AND FAUCET CANNOT BE INSTALLED ON THE DECK OF THE BATH.

** AN ISLAND TUB DRAIN IS REQUIRED WHEN THERE IS NO ACCESS UNDER THE BATH.

1 800 463.2187
 info@bainultra.com

From 8 a.m. to 8 p.m. Monday to Thursday (EST)
 From 8 a.m. to 5 p.m. on Friday (EST)



The quest for your wellness®

www.bainultra.com

SCALA 7242 NEW 72" X 42" X 25"

ACCESSORIES (OPTIONAL)

CUTTING TEMPLATE

90000076

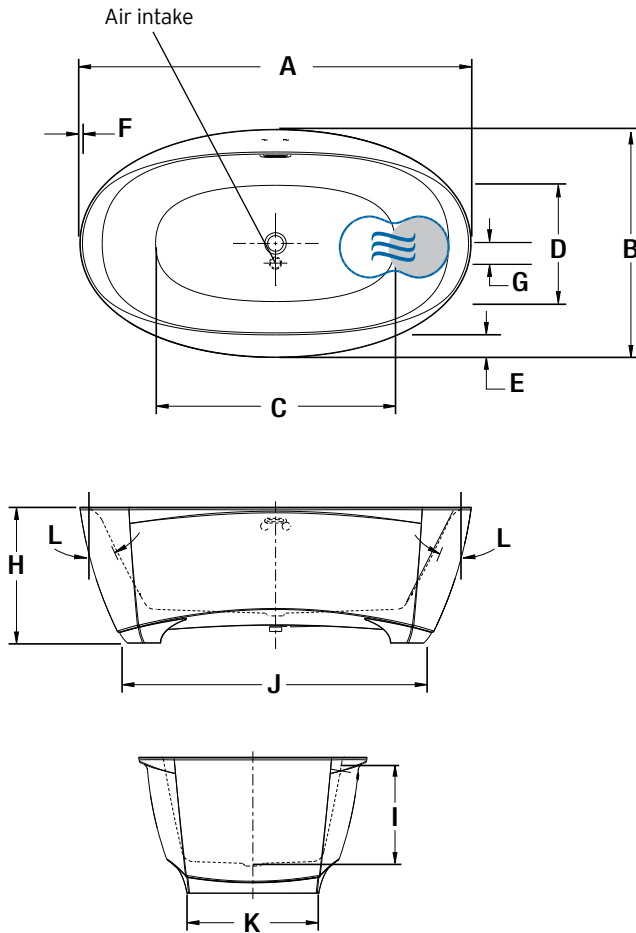
OTHERS

- Faucet must be freestanding or wall-mounted.
- The turbine must be remotely installed.
- TMU: Control must be wall-mounted.

TOTAL PRICE

\$

FREESTANDING INSTALLATION



LETTER	DESCRIPTION	MEASURE
A	Total length	72"
B	Total width	42"
C	Bathing well length	50"
D	Bathing well width	26 1/2"
E	Deck width at sides	4 1/8"
F	Deck width at ends	1/2"
G	Center waste to air intake	3 5/8"
H	Total height to headrest	25"
I	Maximum water level	17 1/2"
J	Base length	54 3/8"
K	Base width	24 1/8"
L	Slope of backrest	27°

● Heated backrest (TMU)

☰ WarmTouchShell position

TECHNICAL SPECIFICATIONS

Hot water supply required Should be 70% of water capacity of tub or greater.

Turbine Access to the pump must be at least 18" X 22". **Standard connection is 20 A, 120 V, 60 hz,** dedicated line with a Ground-Fault Circuit Interrupter (GFCI). **For any additional option, a second line is needed 15 A, 120 V, 60 hz,** dedicated line with a GFCI. Air vent necessary: 2" X 4" minimum

Our products must be installed by certified professionals only and according to our Owner's Manual as well as federal, provincial/state and local building codes and regulations (www.bainultra.com/documentation/documentation).

Approx. shipping weight 300 lbs

Turbine power 550 W

Air heater 600 W

WARRANTY

Controls-LED-Geysair* 5 years

Bath & turbine* 20 years

*Some restrictions apply | www.bainultra.com/warranty



The specifications shown indicate the outer edge dimension and the inside bathing capacity dimension measured at air jets' height. The manufacturer accepts a 1/4" [0,64 cm] variance. There are variations on each product and specifications are subject to change as we improve upon our product as required. The dimensions needed for site preparation and structure building will differ. BainUltra® assumes no responsibility for preparatory work done prior to the product being on site.