



# PRODUCT SHEET

# THALASSA 50

60" X 31" X 19"




<b>THERMOMASSEUR® BATH</b>	\$
<b>TUB</b>	\$

THERMOMASSEUR (TMU)	
Jets	36
1 heated backrest	included
Mia® Control	included
Geysair®	included
AromaCloud®	\$
Illuzio Chromatherapy <b>NEW</b>	\$

TUB (soaker)	
AromaCloud®	\$
Illuzio Chromatherapy <b>NEW</b>	\$
WarmTouchShell®	\$
DOT control	included with therapy

FEATURES			
Installation types	Drop-in & Alcove (3 walls)		
No. of bathers	↓	Armrests	2
US gallons	41	Grab bars (color match)	2
Imp. gallons	34	Integrated tile flange	included

OPTIONAL UPCHARGE APPLICABLE		
<b>COLOR</b>		
<b>Standard</b>		
<input type="checkbox"/> White	<input type="checkbox"/> Biscuit	
<b>Optional</b>		
<input type="checkbox"/> Gray		\$
<b>CONTROL (TMU ONLY)</b>		
MiaPlus®*		\$
MiaMulti®		\$
<b>SKIRT</b>		
	<b>MULTIFIT</b>	<b>SJ-1</b>
Skirt	\$	\$
Optional color	\$	\$
<b>CLEAR ACRYLIC GRAB BARS</b>		
With Chrome, Brass or Brushed nickel inserts		\$
<b>WASTE &amp; OVERFLOW</b>		
		<b>16" X 35"</b>
Chrome		\$
White & Biscuit		\$
Brass		\$
Brushed nickel, Polished nickel & Oil-rubbed bronze		\$

 DON'T FORGET THAT AN INTEGRATED TILE FLANGE IS AVAILABLE AT NO EXTRA COST, YOU MUST SPECIFY DRAIN POSITION.  
\* THE MIAPLUS CONTROL IS INCLUDED WHEN PURCHASING CHROMATHERAPY ON A TMU.

1 800 463.2187  info@bainultra.com | From 8 a.m. to 8 p.m. Monday to Thursday (EST)  
From 8 a.m. to 5 p.m. on Friday (EST)

# THALASSA 50 60" X 31" X 19"

## ACCESSORIES (OPTIONAL)

### OTHERS

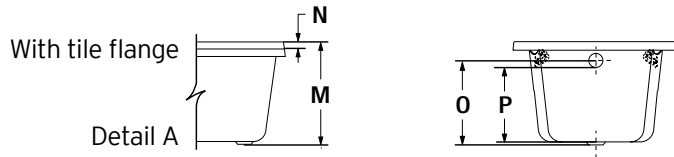
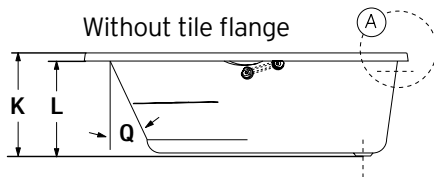
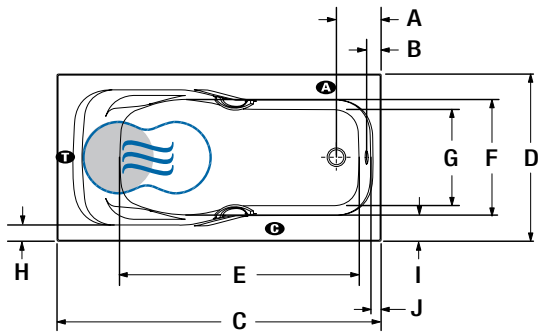
- There is a height difference for the integrated tile flange (see drawing Detail A).
- Available with or without integrated tile flange (specify right or left) at the same price.

TOTAL PRICE

\$

## DROP-IN/CORNER INSTALLATION

- A** When tile flange is added, the AromaCloud will automatically be installed on the opposite side of the flange.



LETTER	DESCRIPTION	MEASURE
A	Outside edge to center drain	8 3/8"
B	Outside edge to overflow	2 3/8"
C	Total length	60"
D	Total width	31"
E	Bathing well length	44 3/8"
F	Bathing well width at seat area	21 1/4"
G	Bathing well width at foot area	17 3/4"
H	Deck width (narrowest point)	3 1/8"
I	Deck width (widest point)	4 7/8"
J	Deck width at drain end	2"
K	Height from bottom of tub to top deck	19 1/2"
L	Height from bottom of tub to bottom of lip	18"
M	Height from bottom of tub to top of tile flange	20 1/2"
N	Tile flange height	1"
O	Height from drain to center of overflow	15 5/8"
P	Maximum water level	13 3/4"
Q	Slope of backrest	25°

- A** AromaCloud position
- B** Control position when factory-installed (Mia or Dot)
- T** Turbine position (TMU)
- Heated backrest (TMU)
- ☪ WarmTouchShell position

## TECHNICAL SPECIFICATIONS

**Hot water supply required** Should be 70% of water capacity of tub or greater.

**Turbine** Access to the pump must be at least 18" X 22". **Standard connection is 20 A, 120 V, 60 hz**, dedicated line with a Ground-Fault Circuit Interrupter (GFCI). **For any additional option, a second line is needed 15 A, 120 V, 60 hz**, dedicated line with a GFCI. Air vent necessary: 2" X 4" minimum

Our products must be installed by certified professionals only and according to our Owner's Manual as well as federal, provincial/state and local building codes and regulations ([www.bainultra.com/documentation/documentation](http://www.bainultra.com/documentation/documentation)).

**Approx. shipping weight** 104 lbs

**Turbine power** 550 W

**Air heater** 600 W

## WARRANTY

Controls-LED-Geysair\* 5 years

Bath & turbine\* 20 years

\*Some restrictions apply | [www.bainultra.com/warranty](http://www.bainultra.com/warranty)



The specifications shown indicate the outer edge dimension and the inside bathing capacity dimension measured at air jets' height. The manufacturer accepts a 1/4" [0.64 cm] variance. There are variations on each product and specifications are subject to change as we improve upon our product as required. The dimensions needed for site preparation and structure building will differ. BainUltra® assumes no responsibility for preparatory work done prior to the product being on site.



# PRODUCT SHEET

# THALASSA 55

66" X 33" X 19"



<b>THERMOMASSEUR® BATH</b>	\$
<b>TUB</b>	\$

THERMOMASSEUR (TMU)	
Jets	40
1 heated backrest	included
Mia® Control	included
Geysair®	included
AromaCloud®	\$
Illuzio Chromatherapy <b>NEW</b>	\$

TUB (soaker)	
AromaCloud®	\$
Illuzio Chromatherapy <b>NEW</b>	\$
WarmTouchShell®	\$
DOT control	included with therapy

FEATURES			
Installation types	Drop-in & Alcove (3 walls)		
No. of bathers	↓	Armrests	2
US gallons	50	Grab bars (color match)	2
Imp. gallons	41		

OPTIONAL UPCHARGE APPLICABLE		
<b>COLOR</b>		
<b>Standard</b>		
<input type="checkbox"/> White	<input type="checkbox"/> Biscuit	
<b>Optional</b>		
<input type="checkbox"/> Gray		\$
<b>CONTROL (TMU ONLY)</b>		
MiaPlus®*		\$
MiaMulti®		\$
<b>SKIRT</b>	<b>MULTIFIT</b>	<b>SJ-1</b>
Skirt	\$	\$
Optional color	\$	\$
<b>CLEAR ACRYLIC GRAB BARS</b>		
With Chrome, Brass or Brushed nickel inserts		\$
<b>WASTE &amp; OVERFLOW</b>		
		<b>16" X 35"</b>
Chrome		\$
White & Biscuit		\$
Brass		\$
Brushed nickel, Polished nickel & Oil-rubbed bronze		\$
<b>TILE FLANGE</b> (specify right or left)		
Ordered with bath, uninstalled		\$
Factory-installed		\$

SPECIFY COLOR FOR THE CONTROL, WHITE OR BISCUIT.  
\* THE MIAPLUS CONTROL IS INCLUDED WHEN PURCHASING CHROMATHERAPY ON A TMU.

1 800 463.2187 info@bainultra.com | From 8 a.m. to 8 p.m. Monday to Thursday (EST)  
From 8 a.m. to 5 p.m. on Friday (EST)

# THALASSA 55 66" X 33" X 19"

## ACCESSORIES (OPTIONAL)

OTHER

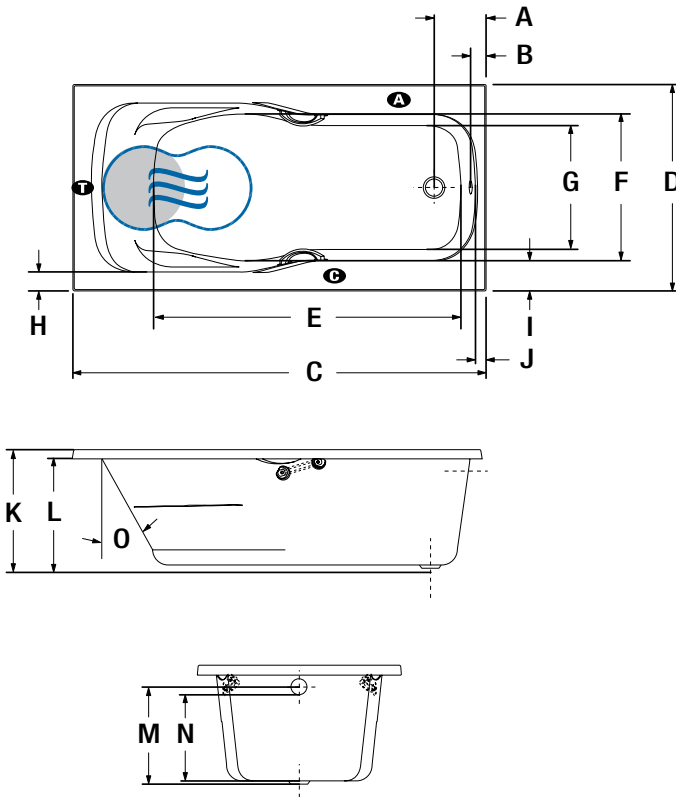
Optional tile flange (specify right or left).

TOTAL PRICE

\$

## DROP-IN/ALCOVE INSTALLATION

- A** When tile flange is added, the AromaCloud will automatically be installed on the opposite side of the flange.



LETTER	DESCRIPTION	MEASURE
A	Outside edge to center drain	8"
B	Outside edge to overflow	2 1/4"
C	Total length	65 3/4"
D	Total width	32 7/8"
E	Bathing well length	49"
F	Bathing well width at seat area	23 1/8"
G	Bathing well width at foot area	19 7/8"
H	Deck width (narrowest point)	3 1/4"
I	Deck width (widest point)	5"
J	Deck width at drain end	2 1/8"
K	Height from bottom of tub to top deck	19 1/2"
L	Height from bottom of tub to bottom of lip	18"
M	Height from drain to center of overflow	15 5/8"
N	Maximum water level	13 3/4"
O	Slope of backrest	29°

- A** AromaCloud position
- C** Control position when factory-installed (Mia or Dot)
- I** Turbine position (TMU)
- Heated backrest (TMU)
- ☄ WarmTouchShell position

## TECHNICAL SPECIFICATIONS

**Hot water supply required** Should be 70% of water capacity of tub or greater.

**Turbine** Access to the pump must be at least 18" X 22". **Standard connection is 20 A, 120 V, 60 hz,** dedicated line with a Ground-Fault Circuit Interrupter (GFCI). **For any additional option, a second line is needed 15 A, 120 V, 60 hz,** dedicated line with a GFCI. Air vent necessary: 2" X 4" minimum

Our products must be installed by certified professionals only and according to our Owner's Manual as well as federal, provincial/state and local building codes and regulations ([www.bainultra.com/documentation/documentation](http://www.bainultra.com/documentation/documentation)).

**Approx. shipping weight** 126 lbs

**Turbine power** 550 W

**Air heater** 600 W

## WARRANTY

Controls-LED-Geysair\* 5 years

Bath & turbine\* 20 years

\*Some restrictions apply | [www.bainultra.com/warranty](http://www.bainultra.com/warranty)



The specifications shown indicate the outer edge dimension and the inside bathing capacity dimension measured at air jets' height. The manufacturer accepts a 1/4" [0,64 cm] variance. There are variations on each product and specifications are subject to change as we improve upon our product as required. The dimensions needed for site preparation and structure building will differ. BainUltra® assumes no responsibility for preparatory work done prior to the product being on site.



# PRODUCT SHEET

# THALASSA 60

72" X 33" X 19"




<b>THERMOMASSEUR® BATH</b>	\$
<b>TUB</b>	\$

THERMOMASSEUR (TMU)	
Jets	46
1 heated backrest	included
Mia® Control	included
Geysair®	included
AromaCloud®	\$
Illuzio Chromatherapy <b>NEW</b>	\$

TUB (soaker)	
AromaCloud®	\$
Illuzio Chromatherapy <b>NEW</b>	\$
WarmTouchShell®	\$
DOT control	included with therapy

FEATURES			
Installation types	Drop-in & Alcove (3 walls)		
No. of bathers	↓	Armrests	2
US gallons	56	Grab bars (color match)	2
Imp. gallons	47		

OPTIONAL UPCHARGE APPLICABLE		
<b>COLOR</b>		
<b>Standard</b>		
<input type="checkbox"/> White	<input type="checkbox"/> Biscuit	
<b>Optional</b>		
<input type="checkbox"/> Gray		\$
<b>CONTROL (TMU ONLY)</b>		
MiaPlus®*		\$
MiaMulti®		\$
<b>SKIRT</b>		
	<b>MULTIFIT</b>	<b>SJ-1</b>
Skirt	\$	\$
Optional color	\$	\$
<b>CLEAR ACRYLIC GRAB BARS</b>		
With Chrome, Brass or Brushed nickel inserts		\$
<b>DRAIN &amp; OVERFLOW</b>		
		<b>16" X 35"</b>
Chrome		\$
White & Biscuit		\$
Brass		\$
Brushed nickel, Polished nickel & Oil-rubbed bronze		\$
<b>TILE FLANGE (specify right or left)</b>		
Ordered with bath, uninstalled		\$
Factory-installed		\$

 SPECIFY COLOR FOR THE CONTROL, WHITE OR BISCUIT.  
\* THE MIAPLUS CONTROL IS INCLUDED WHEN PURCHASING CHROMATHERAPY ON A TMU.

1 800 463.2187  info@bainultra.com | From 8 a.m. to 8 p.m. Monday to Thursday (EST)  
From 8 a.m. to 5 p.m. on Friday (EST)

# THALASSA 60 72" X 33" X 19"

## ACCESSORIES (OPTIONAL)

OTHER

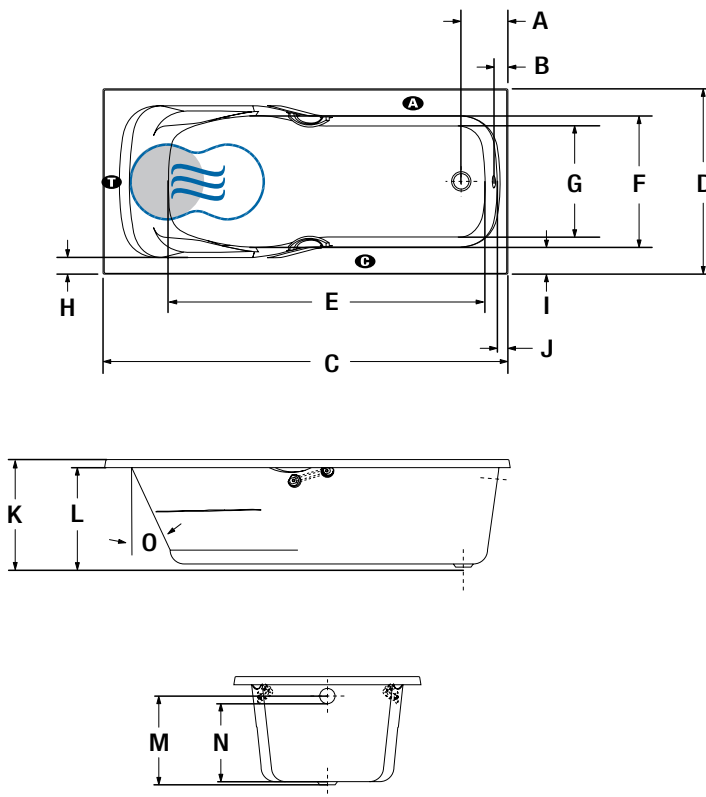
Optional tile flange (specify right or left).

TOTAL PRICE

\$

## DROP-IN/ALCOVE INSTALLATION

- Ⓐ When tile flange is added, the AromaCloud will automatically be installed on the opposite side of the flange.



LETTER	DESCRIPTION	MEASURE
A	Outside edge to center drain	8"
B	Outside edge to overflow	2 1/4"
C	Total length	71 3/4"
D	Total width	32 7/8"
E	Bathing well length	56 1/4"
F	Bathing well width at seat area	23 1/4"
G	Bathing well width at foot area	19 7/8"
H	Deck width (narrowest point)	3 1/8"
I	Deck width (widest point)	5"
J	Deck width at drain end	2 1/8"
K	Height from bottom of tub to top deck	19 1/2"
L	Height from bottom of tub to bottom of lip	18"
M	Height from drain to center of overflow	15 5/8"
N	Maximum water level	13 7/8"
O	Slope of backrest	25°

Ⓐ AromaCloud position

● Heated backrest (TMU)

Ⓒ Control position when factory-installed (Mia or Dot)

☞ WarmTouchShell position

Ⓘ Turbine position (TMU)

## TECHNICAL SPECIFICATIONS

**Hot water supply required** Should be 70% of water capacity of tub or greater.

**Turbine** Access to the pump must be at least 18" X 22". **Standard connection is 20 A, 120 V, 60 hz, dedicated line with a Ground-Fault Circuit Interrupter (GFCI). For any additional option, a second line is needed 15 A, 120 V, 60 hz, dedicated line with a GFCI. Air vent necessary: 2" X 4" minimum**

Our products must be installed by certified professionals only and according to our Owner's Manual as well as federal, provincial/state and local building codes and regulations ([www.bainultra.com/documentation/documentation](http://www.bainultra.com/documentation/documentation)).

**Approx. shipping weight** 133 lbs

**Turbine power** 550 W

**Air heater** 600 W

## WARRANTY

Controls-LED-Geysair\* 5 years

Bath & turbine\* 20 years

\*Some restrictions apply | [www.bainultra.com/warranty](http://www.bainultra.com/warranty)



The specifications shown indicate the outer edge dimension and the inside bathing capacity dimension measured at air jets' height. The manufacturer accepts a 1/4" [0.64 cm] variance. There are variations on each product and specifications are subject to change as we improve upon our product as required. The dimensions needed for site preparation and structure building will differ. BainUltra® assumes no responsibility for preparatory work done prior to the product being on site.



PRODUCT SHEET  
**SENSATION**  
 54" X 54" X 20"



<b>THERMOMASSEUR® BATH</b>	\$
<b>TUB</b>	\$

THERMOMASSEUR (TMU)	
Jets	40
1 heated backrest	included
1 heated headrest	included
Mia® Control	included
Geysair®	included
AromaCloud®	\$
Illuzio Chromatherapy <b>NEW</b>	\$
2 <sup>nd</sup> heated backrest (advanced technology)	\$

TUB (soaker)	
AromaCloud®	\$
Illuzio Chromatherapy <b>NEW</b>	\$
WarmTouchShell®	\$
DOT control	included with therapy
2 <sup>nd</sup> WarmTouchShell®	\$

FEATURES			
Installation types	Drop-in or Corner		
No. of bathers	2	Imp. gallons	46
US gallons	55	Grab bar (color match)	1

OPTIONAL UPCHARGE APPLICABLE	
<b>COLOR</b>	
<b>Standard</b>	
<input type="checkbox"/> White	<input type="checkbox"/> Biscuit
<b>Optional</b>	
<input type="checkbox"/> Gray	\$
<b>CONTROL (TMU ONLY)</b>	
MiaPlus®*	\$
MiaMulti®	\$
<b>SKIRT</b> <span style="float: right;">SJ-3 SE</span>	
Skirt	\$
Optional color	\$
<b>CLEAR ACRYLIC GRAB BARS</b>	
With Chrome, Brass or Brushed nickel inserts	\$
<b>WASTE &amp; OVERFLOW</b> <span style="float: right;">16" X 35"</span>	
Chrome	\$
White & Biscuit	\$
Brass	\$
Brushed nickel, Polished nickel & Oil-rubbed bronze	\$
<b>TILE FLANGE</b>	
Ordered with bath, uninstalled	\$
Factory-installed	\$

SPECIFY COLOR FOR THE CONTROL, WHITE OR BISCUIT.  
 \*THE MIAPLUS CONTROL IS INCLUDED WHEN PURCHASING CHROMATHERAPY ON A TMU.

1 800 463.2187 info@bainultra.com | From 8 a.m. to 8 p.m. Monday to Thursday (EST)  
 From 8 a.m. to 5 p.m. on Friday (EST)

# SENSATION 54" X 54" X 20"

## ACCESSORIES (OPTIONAL)

CUTTING TEMPLATE

# 90000014

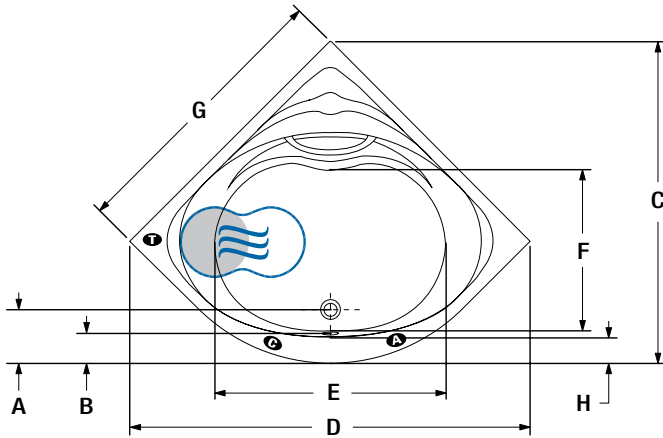
OTHER

Optional tile flange.

TOTAL PRICE

\$

## DROP-IN/CORNER INSTALLATION



LETTER	DESCRIPTION	MEASURE
A	Outside edge to center drain	10 1/2"
B	Outside edge to overflow	5 1/2"
C	Total length	58 7/8"
D	Total width	75 7/8"
E	Bathing well length	44"
F	Bathing well width	28 7/8"
G	Sidewall length	53 7/8"
H	Deck width (widest point)	5 1/4"
I	Total height to raised headrest	22 1/4"
J	Height from bottom of tub to top deck	20 1/4"
K	Height from bottom of tub to bottom of lip	18 3/4"
L	Height from drain to center of overflow	15 3/4"
M	Maximum water level	14"
N	Slope of backrest	21°

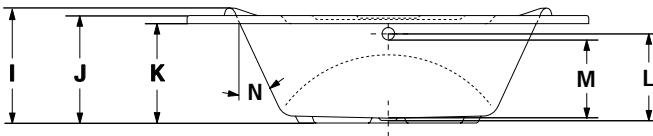
**A** AromaCloud position

● Heated backrest (TMU)

**C** Control position when factory-installed (Mia or Dot)

☞ WarmTouchShell position

**I** Turbine position (TMU)



## TECHNICAL SPECIFICATIONS

Hot water supply required

Should be 70% of water capacity of tub or greater.

Turbine

Access to the pump must be at least 18" X 22". **Standard connection is 20 A, 120 V, 60 hz**, dedicated line with a Ground-Fault Circuit Interrupter (GFCI). **For any additional option, a second line is needed 15 A, 120 V, 60 hz**, dedicated line with a GFCI. Air vent necessary: 2" X 4" minimum

Our products must be installed by certified professionals only and according to our Owner's Manual as well as federal, provincial/state and local building codes and regulations ([www.bainultra.com/documentation/documentation](http://www.bainultra.com/documentation/documentation)).

Approx. shipping weight

135 lbs

Turbine power

550 W

Air heater

600 W

## WARRANTY

Controls-LED-Geysair\*

5 years

Bath & turbine\*

20 years

\*Some restrictions apply | [www.bainultra.com/warranty](http://www.bainultra.com/warranty)



The specifications shown indicate the outer edge dimension and the inside bathing capacity dimension measured at air jets' height. The manufacturer accepts a 1/4" [0,64 cm] variance. There are variations on each product and specifications are subject to change as we improve upon our product as required. The dimensions needed for site preparation and structure building will differ. BainUltra® assumes no responsibility for preparatory work done prior to the product being on site.