



# PRODUCT SHEET

## CELLA 7240

72" X 40" X 27"



<b>THERMOMASSEUR® BATH</b>	\$
<b>TUB</b>	\$

THERMOMASSEUR (TMU)	
Jets	40
1 heated backrest	included
MiaMulti® Control*	included
Geysair®	included
AromaCloud®	\$
Illuzio Chromatherapy <b>NEW</b>	\$
2 <sup>nd</sup> heated backrest (advanced technology)	\$

TUB (soaker)	
AromaCloud®	\$
Illuzio Chromatherapy <b>NEW</b>	\$
WarmTouchShell®	\$
DOT control	included with therapy
2 <sup>nd</sup> WarmTouchShell®	\$

FEATURES			
Installation type	Freestanding		
No. of bathers		Imp. gallons	49
US gallons	59	Claw feet (specify finish)	included

### OPTIONAL UPCHARGE APPLICABLE

COLOR	
<b>Standard</b>	<b>Optional</b> \$
White	Biscuit
	Gray

Claw feet					
Chrome	Polished nickel	Brushed nickel	Brass	Oil-rubbed bronze	Unplated

TOWEL BARS	TUBE	TWIST
Chrome	\$	\$
Brass	\$	\$
Brushed nickel, Polished nickel & Oil-rubbed bronze	\$	\$
Unplated	\$	\$

FOR AIR SUPPLY ONLY	
Decorative pipe (1 1/2" x 6")	\$
Decorative pipe (1 1/2" x 24")	\$
Pipe concealer (3" x 5 1/4")	\$
Elbow (45°)	\$
Elbow (90°)	\$

WASTE & OVERFLOW (EXPOSED)	D13 (BALNEO®)
Chrome	\$
Brass	\$
Brushed nickel, Polished nickel & Oil-rubbed bronze	\$
Unplated	\$

\*FOR TMU, CONTROL MUST BE WALL-MOUNTED. FAUCETS MUST BE FREESTANDING OR WALL-MOUNTED. DON'T FORGET TO INDICATE **FLAT OR ROLLED DECK**, AS WELL AS THE SELECTED **FINISH FOR THE CLAW FEET**.

1 800 463.2187 [info@bainultra.com](mailto:info@bainultra.com)

From 8 a.m. to 8 p.m. Monday to Thursday (EST)  
From 8 a.m. to 5 p.m. on Friday (EST)

**BainUltra®**  
The quest for your wellness®  
[www.bainultra.com](http://www.bainultra.com)

# CELLA 7240 72" X 40" X 27"

## ACCESSORIES (OPTIONAL)

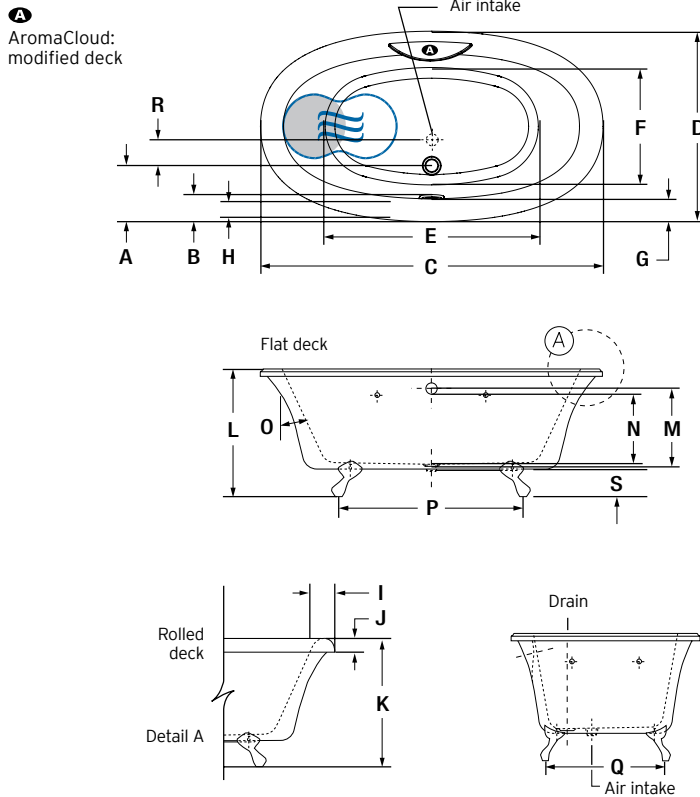
### OTHERS

- There is a height difference for the rolled deck (see drawing Detail A).
- Faucets must be freestanding or wall-mounted.
- The turbine must be remotely installed.
- TMU: Control must be wall-mounted.
- TUB: Dot controls are located on either sides of the AromaCloud.

TOTAL PRICE

\$

## FREESTANDING INSTALLATION



Available with flat or rolled deck.

LETTER	DESCRIPTION	MEASURE
A	Outside edge to center waste	11 3/4"
B	Outside edge to overflow	4 3/8"
C	Total length	72"
D	Total width	40"
E	Bathing well length	46 1/8"
F	Bathing well width	24 3/4"
G	Deck width	4 5/8"
H	Flat surface width	3 3/8"
I	Rolled deck width	5 3/8"
J	Height from bottom of lip to top deck	2 1/2"
K	Height from clawfoot to top of lip	27 3/4"
L	Height from clawfoot to top of lip	26 3/4"
M	Height from waste to center of overflow	16 5/8"
N	Maximum water level	14 7/8"
O	Slope of backrest	27°
P	Length between clawfeet	40 3/4"
Q	Width between clawfeet	24"
R	Distance from center air intake to center waste	5"
S	Clearance from floor to bottom of bath	4 1/2"

**A** AromaCloud position

● Heated backrest (TMU)  
 WarmTouchShell position

## TECHNICAL SPECIFICATIONS

**Hot water supply required** Should be 70% of water capacity of tub or greater.

**Turbine** Access to the pump must be at least 18" X 22". **Standard connection is 20 A, 120 V, 60 hz**, dedicated line with a Ground-Fault Circuit Interrupter (GFCI). **For any additional option, a second line is needed 15 A, 120 V, 60 hz**, dedicated line with a GFCI. Air vent necessary: 2" X 4" minimum

Our products must be installed by certified professionals only and according to our Owner's Manual as well as federal, provincial/state and local building codes and regulations ([www.bainultra.com/documentation/documentation](http://www.bainultra.com/documentation/documentation)).

**Approx. shipping weight** 297 lbs

**Turbine power** 550 W

**Air heater** 600 W

## WARRANTY

Controls-LED-Geysair\* 5 years

Bath & turbine\* 20 years

\*Some restrictions apply | [www.bainultra.com/warranty](http://www.bainultra.com/warranty)



The specifications shown indicate the outer edge dimension and the inside bathing capacity dimension measured at air jets' height. The manufacturer accepts a 1/4" [0.64 cm] variance. There are variations on each product and specifications are subject to change as we improve upon our product as required. The dimensions needed for site preparation and structure building will differ. BainUltra® assumes no responsibility for preparatory work done prior to the product being on site.