

PRODUCT SHEET
ORIGAMI 6636 ORIGINAL SERIES
 66" X 36" X 22"



Standard Deck 4 in

Slim Deck 1/2"

THERMOMASSEUR® BATH	\$
TUB	\$

THERMOMASSEUR (TMU)	
Jets	40
1 heated backrest	included
MiaPlus® Control	included
Geysair®	included
AromaCloud®	\$
Illuzio Chromatherapy NEW	\$

TUB (soaker)	
AromaCloud®	\$
Illuzio Chromatherapy NEW	\$
WarmTouchShell®	\$
DOT control	included with therapy

FEATURES			
Installation types	Drop-in: 1/2", 2" & 4" Undermount & Alcove (3 murs): 2"		
No. of bathers	↓	Imp. gallons	52
US gallons	62		

OPTIONAL UPCHARGE APPLICABLE

COLOR

Standard		
<input type="checkbox"/> White	<input type="checkbox"/> Biscuit	
Optional	<input type="checkbox"/> Gray	\$

FINISH

UltraVelour Matte Finish (White Only)	\$
---------------------------------------	----

CONTROL (TMU ONLY)

MiaMulti®	\$
-----------	----

SKIRT (2" LIP ONLY)

	MULTIFIT	SJ-1
Skirt	\$	\$
Optional color	\$	\$

WASTE & OVERFLOW

	16" x 35"	INTEGRATED WASTE & OVERFLOW
White, Biscuit	\$	\$
Chrome	\$	\$
Brass	\$	\$
Brushed & Polished nickel	\$	\$
Oil-rubbed bronze	\$	N/A

TILE FLANGE WITH 2" LIP ONLY (specify right or left)

Ordered with bath, uninstalled	\$
Factory-installed	\$

DON'T FORGET TO INDICATE THE DECK HEIGHT (1/2", 2" OR 4"). SPECIFY WASTE POSITION. SLIM DECK ARE AVAILABLE FOR DROP-IN INSTALLATION ONLY.

1 800 463.2187 info@bainultra.com | From 8 a.m. to 8 p.m. Monday to Thursday (EST)
 From 8 a.m. to 5 p.m. on Friday (EST)

ORIGAMI 6636 ORIGINAL SERIES 66" X 36" X 22"

ACCESSORIES (OPTIONAL)

CUTTING TEMPLATE

90000047

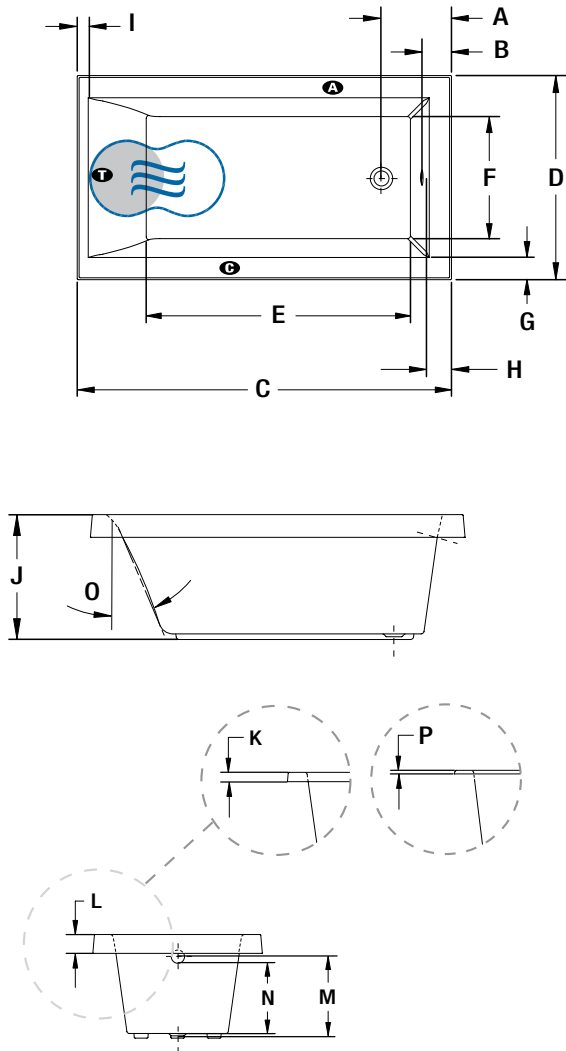
OTHER

Optional tile flange with 2" lip height only (specify right or left).

TOTAL PRICE

\$

ALCOVE/DROP-IN/UNDERMOUNT INSTALLATION



LETTER	DESCRIPTION	MEASURE
A	Outside edge to center drain	12 3/8"
B	Outside edge to overflow	4 5/8"
C	Total length (with 1/2" deck height) Total length (with 2" deck height) Total length (with 4" deck height)	65 5/8" 65 7/8" 66 1/4"
D	Total width (with 1/2" deck height) Total width (with 2" deck height) Total width (with 4" deck height)	35 1/2" 35 3/4" 36 1/8"
E	Bathing well length	47 1/4"
F	Bathing well width	22 1/4"
G	Deck width	4 1/2"
H	Deck width at waste end	4 1/2"
I	Deck width at backrest end	1 5/8"
J	Height from bottom of tub to top deck	21 7/8"
K	Height from bottom of lip to top deck	2"
L	Height from bottom of lip to top deck	4"
M	Height from drain to center of overflow	17 1/8"
N	Maximum water level	15 1/2"
O	Slope of backrest	24°
P	Height from bottom of lip to top deck	1/2"

- A** AromaCloud position
- B** Heated backrest (TMU)
- G** Control position when factory-installed (Mia or Dot)
- T** Turbine position (TMU)
- W** WarmTouchShell position

When tiling flange is added, the AromaCloud will automatically be installed on the opposite side of the flange.

TECHNICAL SPECIFICATIONS

Hot water supply required Should be 70% of water capacity of tub or greater.

Turbine Access to the pump must be at least 18" X 22". **Standard connection is 20 A, 120 V, 60 hz, dedicated line with a Ground-Fault Circuit Interrupter (GFCI). For any additional option, a second line is needed 15 A, 120 V, 60 hz, dedicated line with a GFCI. Air vent necessary: 2" X 4" minimum**

Our products must be installed by certified professionals only and according to our Owner's Manual as well as federal, provincial/state and local building codes and regulations (www.bainultra.com/documentation/documentation).

Approx. shipping weight 135 lbs

Turbine power 550 W

Air heater 600 W

WARRANTY

Controls-LED-Geysair* 5 years

Bath & turbine* 20 years

*Some restrictions apply | www.bainultra.com/warranty



The specifications shown indicate the outer edge dimension and the inside bathing capacity dimension measured at air jets' height. The manufacturer accepts a 1/4" [0.64 cm] variance. There are variations on each product and specifications are subject to change as we improve upon our product as required. The dimensions needed for site preparation and structure building will differ. BainUltra® assumes no responsibility for preparatory work done prior to the product being on site.