



PRODUCT SHEET
PRO-MERIDIAN 55
 66" X 34" X 20"



THERMOMASSEUR® BATH	\$
TUB	\$

THERMOMASSEUR (TMU)	
Jets	44
1 heated backrest	included
MiaPlus® Control	included
Geysair®	included
AromaCloud®*	\$
Illuzio Chromatherapy NEW	\$

TUB (soaker)	
AromaCloud®*	\$
Illuzio Chromatherapy NEW	\$
WarmTouchShell®	\$
DOT control	included with therapy

FEATURES			
Installation types	Drop-in, Alcove (3 walls) & Undermount*		
No. of bathers	↓	Imp. gallons	46
US gallons	55		

OPTIONAL UPCHARGE APPLICABLE		
COLOR		
Standard		
<input type="checkbox"/>	<input type="checkbox"/>	
White	Biscuit	
Optional		\$
<input type="checkbox"/>		
Gray		
CONTROL (TMU ONLY)		
MiaMultij®		\$
SKIRT		
	MULTIFIT	SJ-1
Skirt	\$	\$
Optional color	\$	\$
WASTE & OVERFLOW		16" X 35"
Chrome		\$
White, Biscuit		\$
Brass		\$
Brushed nickel, Polished nickel & Oil-rubbed bronze		\$
TILE FLANGE (specify right or left)		
Ordered with bath, uninstalled		\$
Factory-installed		\$

 * THE AROMACLOUD IS NOT AVAILABLE WITH UNDERMOUNT INSTALLATION.

1 800 463.2187  From 8 a.m. to 8 p.m. Monday to Thursday (EST)
 info@bainultra.com From 8 a.m. to 5 p.m. on Friday (EST)

PRO-MERIDIAN 55 66" X 34" X 20"

ACCESSORIES (OPTIONAL)

CUTTING TEMPLATE

90000012

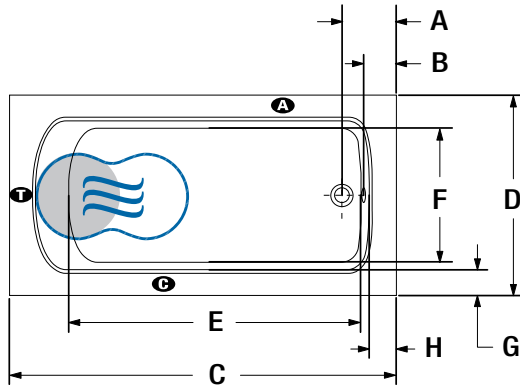
OTHERS

- Optional tile flange (specify right or left).
- If ordered with an installed tile flange, the control will be shipped separately.

TOTAL PRICE

\$

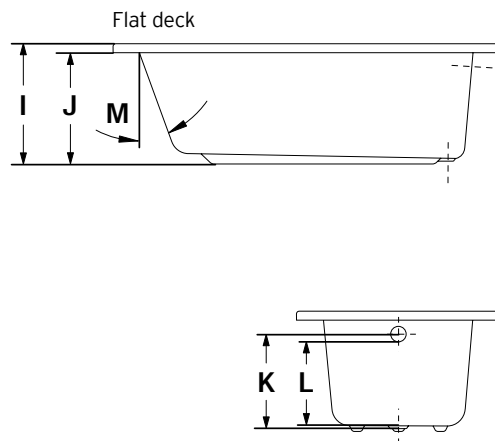
ALCOVE/DROP-IN/UNDERMOUNT INSTALLATION



LETTER	DESCRIPTION	MEASURE
A	Outside edge to center waste	9 1/4"
B	Outside edge to overflow	5"
C	Total length	65 3/4"
D	Total width	34"
E	Bathing well length	49 3/4"
F	Bathing well width	22 1/2"
G	Deck width	3 1/4"
H	Deck width at waste end	4 1/4"
I	Height from bottom of tub to top deck	20"
J	Height from bottom of tub to bottom of lip	18 1/2"
K	Height from waste to center of overflow	15 7/8"
L	Maximum water level	14 1/4"
M	Slope of backrest	22°

- A** AromaCloud position
- B** Heated backrest (TMU)
- C** Control position when factory-installed (Mia or Dot)
- D** WarmTouchShell position
- E** Turbine position (TMU)

When tiling flange is added, the AromaCloud will automatically be installed on the opposite side of the flange.



TECHNICAL SPECIFICATIONS

Hot water supply required	Should be 70% of water capacity of tub or greater.
Turbine	Access to the pump must be at least 18" X 22". Standard connection is 20 A. 120 V, 60 hz, dedicated line with a Ground-Fault Circuit Interrupter (GFCI). For any additional option, a second line is needed 15 A. 120 V, 60 hz, dedicated line with a GFCI. Air vent necessary: 2" X 4" minimum

Our products must be installed by certified professionals only and according to our Owner's Manual as well as federal, provincial/state and local building codes and regulations (www.bainultra.com/documentation/documentation).

Approx. shipping weight	131 lbs
Turbine power	550 W
Air heater	600 W

WARRANTY

Controls-LED-Geysair*	5 years
Bath & turbine*	20 years

*Some restrictions apply | www.bainultra.com/warranty



The specifications shown indicate the outer edge dimension and the inside bathing capacity dimension measured at air jets' height. The manufacturer accepts a 1/4" [0,64 cm] variance. There are variations on each product and specifications are subject to change as we improve upon our product as required. The dimensions needed for site preparation and structure building will differ. BainUltra® assumes no responsibility for preparatory work done prior to the product being on site.