



# PRODUCT SHEET

# THALASSA 50

60" X 31" X 19"




<b>THERMOMASSEUR® BATH</b>	\$
<b>TUB</b>	\$

THERMOMASSEUR (TMU)	
Jets	36
1 heated backrest	included
Mia® Control	included
Geysair®	included
AromaCloud®	\$
Illuzio Chromatherapy <b>NEW</b>	\$

TUB (soaker)	
AromaCloud®	\$
Illuzio Chromatherapy <b>NEW</b>	\$
WarmTouchShell®	\$
DOT control	included with therapy

FEATURES			
Installation types	Drop-in & Alcove (3 walls)		
No. of bathers	↓	Armrests	2
US gallons	41	Grab bars (color match)	2
Imp. gallons	34	Integrated tile flange	included

OPTIONAL UPCHARGE APPLICABLE		
<b>COLOR</b>		
<b>Standard</b>		
<input type="checkbox"/>	<input type="checkbox"/>	
White	Biscuit	
<b>Optional</b>		\$
<input type="checkbox"/>		
Gray		
<b>CONTROL (TMU ONLY)</b>		
MiaPlus®*		\$
MiaMulti®		\$
<b>SKIRT</b>		
	<b>MULTIFIT</b>	<b>SJ-1</b>
Skirt	\$	\$
Optional color	\$	\$
<b>CLEAR ACRYLIC GRAB BARS</b>		
With Chrome, Brass or Brushed nickel inserts		\$
<b>WASTE &amp; OVERFLOW</b>		
		<b>16" X 35"</b>
Chrome		\$
White & Biscuit		\$
Brass		\$
Brushed nickel, Polished nickel & Oil-rubbed bronze		\$

 DON'T FORGET THAT AN INTEGRATED TILE FLANGE IS AVAILABLE AT NO EXTRA COST, YOU MUST SPECIFY DRAIN POSITION.  
\* THE MIAPLUS CONTROL IS INCLUDED WHEN PURCHASING CHROMATHERAPY ON A TMU.

1 800 463.2187  info@bainultra.com | From 8 a.m. to 8 p.m. Monday to Thursday (EST)  
From 8 a.m. to 5 p.m. on Friday (EST)

# THALASSA 50 60" X 31" X 19"

## ACCESSORIES (OPTIONAL)

### OTHERS

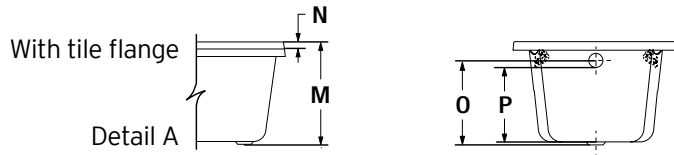
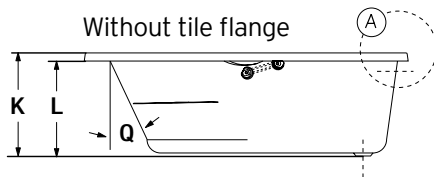
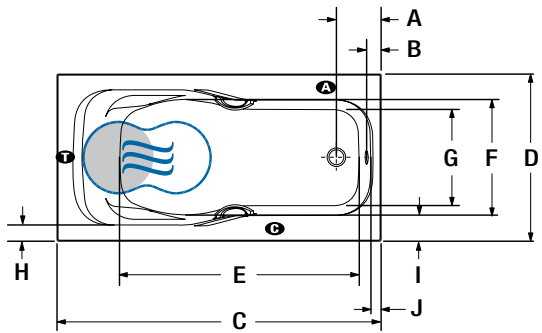
- There is a height difference for the integrated tile flange (see drawing Detail A).
- Available with or without integrated tile flange (specify right or left) at the same price.

TOTAL PRICE

\$

## DROP-IN/CORNER INSTALLATION

- A** When tile flange is added, the AromaCloud will automatically be installed on the opposite side of the flange.



LETTER	DESCRIPTION	MEASURE
A	Outside edge to center drain	8 3/8"
B	Outside edge to overflow	2 3/8"
C	Total length	60"
D	Total width	31"
E	Bathing well length	44 3/8"
F	Bathing well width at seat area	21 1/4"
G	Bathing well width at foot area	17 3/4"
H	Deck width (narrowest point)	3 1/8"
I	Deck width (widest point)	4 7/8"
J	Deck width at drain end	2"
K	Height from bottom of tub to top deck	19 1/2"
L	Height from bottom of tub to bottom of lip	18"
M	Height from bottom of tub to top of tile flange	20 1/2"
N	Tile flange height	1"
O	Height from drain to center of overflow	15 5/8"
P	Maximum water level	13 3/4"
Q	Slope of backrest	25°

- A** AromaCloud position
- B** Control position when factory-installed (Mia or Dot)
- T** Turbine position (TMU)
- Heated backrest (TMU)
- ☪ WarmTouchShell position

## TECHNICAL SPECIFICATIONS

<b>Hot water supply required</b>	Should be 70% of water capacity of tub or greater.
<b>Turbine</b>	Access to the pump must be at least 18" X 22". <b>Standard connection is 20 A, 120 V, 60 hz</b> , dedicated line with a Ground-Fault Circuit Interrupter (GFCI). <b>For any additional option, a second line is needed 15 A, 120 V, 60 hz</b> , dedicated line with a GFCI. Air vent necessary: 2" X 4" minimum

Our products must be installed by certified professionals only and according to our Owner's Manual as well as federal, provincial/state and local building codes and regulations ([www.bainultra.com/documentation/documentation](http://www.bainultra.com/documentation/documentation)).

The specifications shown indicate the outer edge dimension and the inside bathing capacity dimension measured at air jets' height. The manufacturer accepts a 1/4" [0.64 cm] variance. There are variations on each product and specifications are subject to change as we improve upon our product as required. The dimensions needed for site preparation and structure building will differ. BainUltra® assumes no responsibility for preparatory work done prior to the product being on site.

<b>Approx. shipping weight</b>	104 lbs
<b>Turbine power</b>	550 W
<b>Air heater</b>	600 W

## WARRANTY

Controls-LED-Geysair*	5 years
Bath & turbine*	20 years

\*Some restrictions apply | [www.bainultra.com/warranty](http://www.bainultra.com/warranty)

