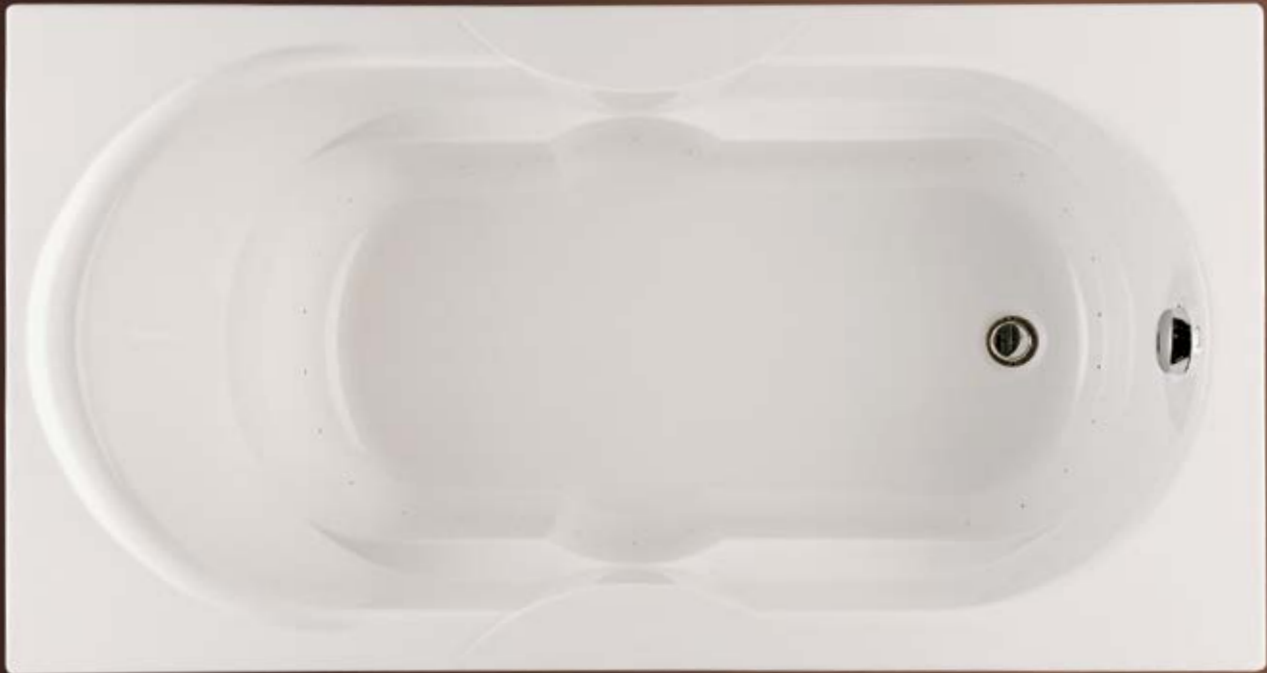




PRODUCT SHEET

THERMAL 50

60" X 32" X 20"



| | |
|----------------------------|----|
| THERMOMASSEUR® BATH | \$ |
| TUB | \$ |

| THERMOMASSEUR (TMU) | |
|----------------------------------|----------|
| Jets | 36 |
| 1 heated backrest & headrest | included |
| MiaPlus® Control | included |
| Geysair® | included |
| AromaCloud® | \$ |
| Illuzio Chromatherapy NEW | \$ |

| TUB (soaker) | |
|----------------------------------|-----------------------|
| AromaCloud® | \$ |
| Illuzio Chromatherapy NEW | \$ |
| WarmTouchShell® | \$ |
| DOT control | included with therapy |

| FEATURES | | | |
|-------------------|---------|--------------|----|
| Installation type | Drop-in | | |
| No. of bathers | ↓ | Imp. gallons | 34 |
| US gallons | 40 | Armrests | 2 |

| OPTIONAL UPCHARGE APPLICABLE | |
|---|----------------------------------|
| COLOR | |
| Standard | |
| <input type="checkbox"/> White | <input type="checkbox"/> Biscuit |
| Optional | |
| <input type="checkbox"/> Gray | \$ |
| CONTROL (TMU ONLY) | |
| MiaMulti® | \$ |
| WASTE & OVERFLOW 16" X 35" | |
| Chrome | \$ |
| White & Biscuit | \$ |
| Brass | \$ |
| Brushed nickel, Polished nickel & Oil-rubbed bronze | \$ |

1 800 463.2187 info@bainultra.com | From 8 a.m. to 8 p.m. Monday to Thursday (EST)
From 8 a.m. to 5 p.m. on Friday (EST)

THERMAL 50 60" X 32" X 20"

ACCESSORIES (OPTIONAL)

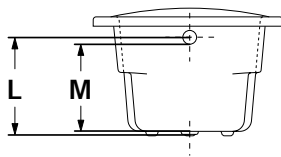
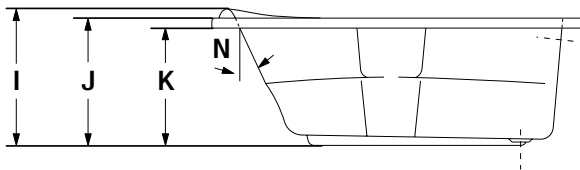
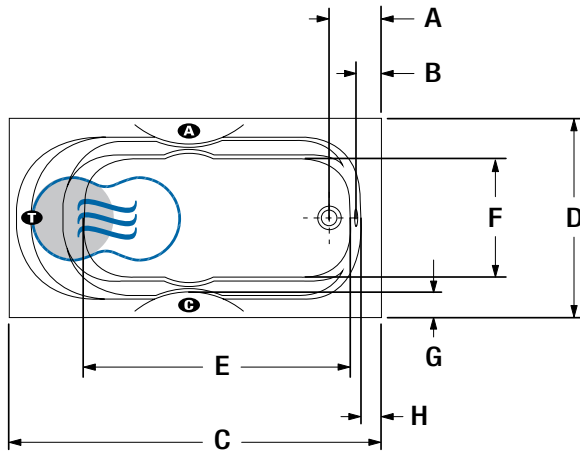
OTHER

Optional tile flange (specify right or left).

TOTAL PRICE

\$

DROP-IN INSTALLATION



| LETTER | DESCRIPTION | MEASURE |
|--------|--|---------|
| A | Outside edge to center drain | 9 1/8" |
| B | Outside edge to overflow | 3 1/4" |
| C | Total length | 59 3/4" |
| D | Total width | 31 5/8" |
| E | Bathing well length | 43 3/8" |
| F | Bathing well width | 19" |
| G | Deck width (widest point) | 4 1/4" |
| H | Deck width at drain end | 3" |
| I | Total height to headrest | 21 1/2" |
| J | Height from bottom of tub to top deck | 20 1/8" |
| K | Height from bottom of tub to bottom of lip | 18 5/8" |
| L | Height from drain to center of overflow | 16 1/8" |
| M | Maximum water level | 14 3/8" |
| N | Slope of backrest | 24° |

- A** AromaCloud position
- B** Control position when factory-installed (Mia or Dot)
- C** Turbine position (TMU)
- Heated backrest (TMU)
- WarmTouchShell position

When tiling flange is added, the AromaCloud will automatically be installed on the opposite side of the flange.

TECHNICAL SPECIFICATIONS

| | |
|----------------------------------|---|
| Hot water supply required | Should be 70% of water capacity of tub or greater. |
| Turbine | Access to the pump must be at least 18" X 22". Standard connection is 20 A, 120 V, 60 hz, dedicated line with a Ground-Fault Circuit Interrupter (GFCI). For any additional option, a second line is needed 15 A, 120 V, 60 hz, dedicated line with a GFCI. Air vent necessary: 2" X 4" minimum |

Our products must be installed by certified professionals only and according to our Owner's Manual as well as federal, provincial/state and local building codes and regulations (www.bainultra.com/documentation/documentation).

| | |
|--------------------------------|---------|
| Approx. shipping weight | 135 lbs |
| Turbine power | 550 W |
| Air heater | 600 W |

WARRANTY

| | |
|-----------------------|----------|
| Controls-LED-Geysair* | 5 years |
| Bath & turbine* | 20 years |

*Some restrictions apply | www.bainultra.com/warranty



The specifications shown indicate the outer edge dimension and the inside bathing capacity dimension measured at air jets' height. The manufacturer accepts a 1/4" [0,64 cm] variance. There are variations on each product and specifications are subject to change as we improve upon our product as required. The dimensions needed for site preparation and structure building will differ. BainUltra® assumes no responsibility for preparatory work done prior to the product being on site.