



PRODUCT SHEET

OVAL ADDITION

72" X 38" X 19"



THERMOMASSEUR® BATH	\$
TUB	\$

THERMOMASSEUR (TMU)	
Jets	46
1 heated backrest & headrest	included
MiaPlus® Control	included
Geysair®	included
AromaCloud®	\$
Illuzio Chromatherapy NEW	\$

TUB (soaker)	
AromaCloud®	\$
Illuzio Chromatherapy NEW	\$
WarmTouchShell®	\$
DOT control	included with therapy

FEATURES			
Installation type			Drop-in
No. of bathers	↓	Armrests	2
US gallons	55	Grab bars	2
Imp. gallons	46		

OPTIONAL UPCHARGE APPLICABLE	
COLOR	
Standard	
<input type="checkbox"/> White	<input type="checkbox"/> Biscuit
Optional	
<input type="checkbox"/> Gray	\$
CONTROL (TMU ONLY)	
MiaMulti®	\$
CLEAR ACRYLIC GRAB BARS	
With Chrome, Brass or Brushed nickel inserts	\$
WASTE & OVERFLOW 16" X 35"	
Chrome	\$
White & Biscuit	\$
Brass	\$
Brushed nickel, Polished nickel & Oil-rubbed bronze	\$

1 800 463.2187 info@bainultra.com From 8 a.m. to 8 p.m. Monday to Thursday (EST)
From 8 a.m. to 5 p.m. on Friday (EST)

OVAL ADDITION 72" X 38" X 19"

ACCESSORIES (OPTIONAL)

CUTTING TEMPLATE

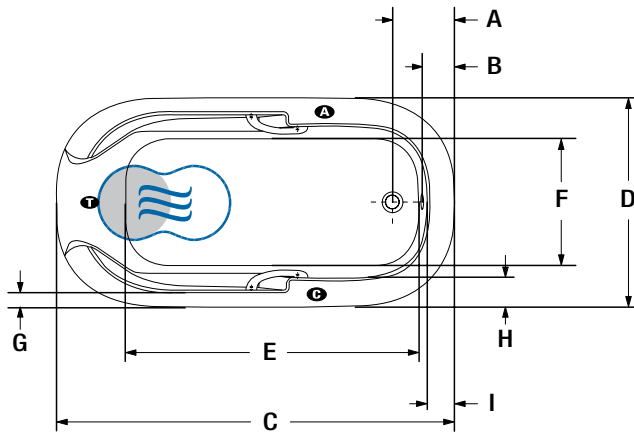
90000009

TOTAL PRICE

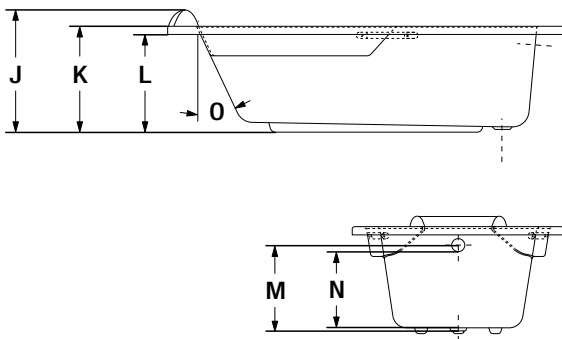
\$

DROP-IN INSTALLATION

A Warning: The AromaCloud may interfere with faucet.



LETTER	DESCRIPTION	MEASURE
A	Outside edge to center drain	11 3/8"
B	Outside edge to overflow	5 1/4"
C	Total length	72 5/8"
D	Total width	38 3/8"
E	Bathing well length	52 3/4"
F	Bathing well width	22 5/8"
G	Deck width (narrowest point)	3 1/8"
H	Deck width (widest point)	5 3/8"
I	Deck width	5 1/8"
J	Total height to headrest	22 1/2"
K	Height from bottom of tub to top deck	19 1/4"
L	Height from bottom of tub to bottom of lip	17 3/4"
M	Height from drain to center of overflow	15"
N	Maximum water level	13 1/4"
O	Slope of backrest	27°



- A** AromaCloud position
- B** Heated backrest (TMU)
- G** Control position when factory-installed (Mia or Dot)
- H** WarmTouchShell position
- T** Turbine position (TMU)

TECHNICAL SPECIFICATIONS

Hot water supply required	Should be 70% of water capacity of tub or greater.
Turbine	Access to the pump must be at least 18" X 22". Standard connection is 20 A, 120 V, 60 hz , dedicated line with a Ground-Fault Circuit Interrupter (GFCI). For any additional option, a second line is needed 15 A, 120 V, 60 hz , dedicated line with a GFCI. Air vent necessary: 2" X 4" minimum

Our products must be installed by certified professionals only and according to our Owner's Manual as well as federal, provincial/state and local building codes and regulations (www.bainultra.com/documentation/documentation).

Approx. shipping weight	138 lbs
Turbine power	550 W
Air heater	600 W

WARRANTY

Controls-LED-Geysair*	5 years
Bath & turbine*	20 years

*Some restrictions apply | www.bainultra.com/warranty



The specifications shown indicate the outer edge dimension and the inside bathing capacity dimension measured at air jets' height. The manufacturer accepts a 1/4" [0,64 cm] variance. There are variations on each product and specifications are subject to change as we improve upon our product as required. The dimensions needed for site preparation and structure building will differ. BainUltra® assumes no responsibility for preparatory work done prior to the product being on site.