

PRODUCT SHEET
AMMA 6636
 66" X 36" X 21"



THERMOMASSEUR® BATH	\$
THERMASSENS® BATH	\$
TUB	\$

THERMOMASSEUR (TMU)	
Jets	49
1 heated backrest	included
1 heated headrest	included
MiaPlus® Control	included
Geysair®	included
AromaCloud®	\$
Chromatherapy - 2 LED	\$

THERMASSENS (TMSU)		TUB
AromaCloud®	included	\$
Chromatherapy - 2 LED	included	\$
WarmTouchShell®	included	\$
DOT control	included	included with therapy

FEATURES			
Installation	Drop-in or Alcove (3 walls)		
No. of bathers	↓	Inverted V	1
US gallons	56	Armrests	2
Imp. gallons	47	Grab bars (color match)	2
Raised seat	1		

OPTIONAL UPCHARGE APPLICABLE

COLOR	
Standard	
<input type="checkbox"/> White	<input type="checkbox"/> Biscuit
Optional	
<input type="checkbox"/> Black	<input type="checkbox"/> Sandbar <input type="checkbox"/> Gray
	\$

CONTROL (TMU ONLY)		
MiaMulti®		\$
SKIRT	MULTIFIT	SJ-1
Skirt	\$	\$
Optional color	\$	\$

CLEAR ACRYLIC GRAB BARS	
With Chrome, Brass or Brushed nickel inserts	\$

DRAIN & OVERFLOW	16" X 35"	INTEGRATED WASTE & OVERFLOW
Chrome	\$	\$
White, Biscuit	\$	\$
Brass	\$	\$
Brushed nickel, Polished nickel	\$	\$
Oil-rubbed bronze	\$	N/A

TILE FLANGE (specify right or left)	
Ordered with bath, uninstalled	\$
Factory-installed	\$

1 800 463.2187 info@bainultra.com | From 8 a.m. to 8 p.m. Monday to Thursday (EST) | From 8 a.m. to 5 p.m. on Friday (EST)

AMMA 6636 66" X 36" X 21"

ACCESSORIES (OPTIONAL)

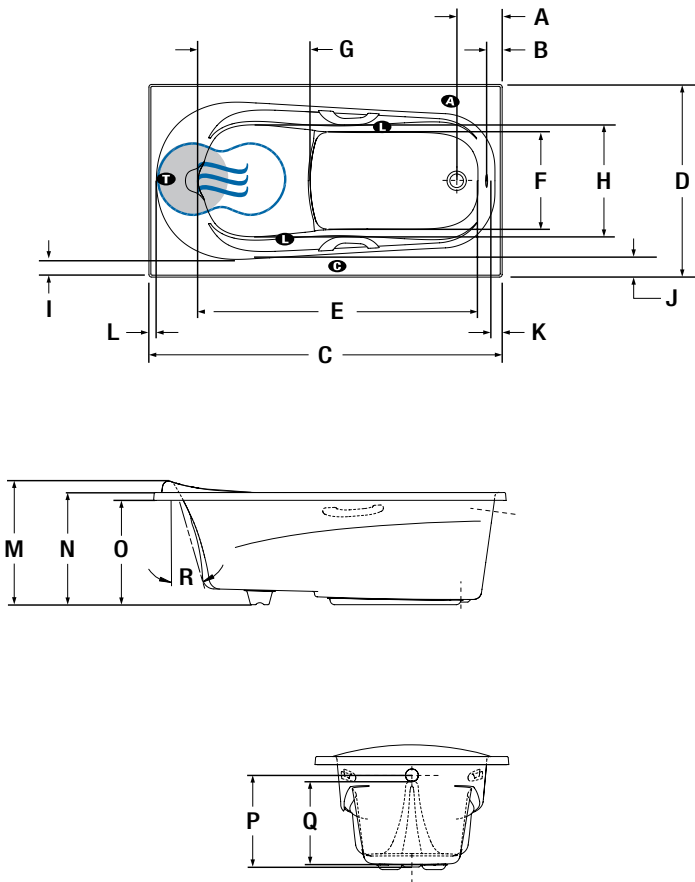
OTHER

Optional tile flange (specify right or left).

TOTAL PRICE

\$

DROP-IN/ALCOVE INSTALLATION



LETTER	DESCRIPTION	MEASURE
A	Outside edge to center drain	8 1/2"
B	Outside edge to overflow	2 1/2"
C	Total length	66"
D	Total width	36"
E	Bathing well length	52 1/4"
F	Bathing well width at foot area	18"
G	Raised seat length	21"
H	Raised seat width	20 7/8"
I	Deck width (narrowest point)	3"
J	Deck width (widest point)	4 1/8"
K	Deck width at drain end	2 1/8"
L	Deck width at backrest end	1 3/8"
M	Total height to headrest	23 1/8"
N	Height from bottom of tub to top deck	21"
O	Height from bottom of tub to bottom of lip	19 1/2"
P	Height from drain to center of overflow	17"
Q	Maximum water level	15 3/8"
R	Slope of backrest	18°

- Indicates turbine position (TMU)
- Indicates LED light position
- Indicates heated backrest (TMU)
- Indicates control position when factory-installed
- Indicates WarmTouchShell position (TMSU)
- Indicates AromaCloud position

When tiling flange is added, the AromaCloud will automatically be installed on the opposite side of the flange.

TECHNICAL SPECIFICATIONS

Hot water supply required Should be 70% of water capacity of tub or greater.

Turbine Access to the pump must be at least 18" X 22". **Standard connection is 20 A, 120 V, 60 hz,** dedicated line with a Ground-Fault Circuit Interrupter (GFCI). **For any additional option, a second line is needed 15 A, 120 V, 60 hz,** dedicated line with a GFCI. Air vent necessary: 2" X 4" minimum

Our products must be installed by certified professionals only and according to our Owner's Manual as well as federal, provincial/state and local building codes and regulations (www.bainultra.com/documentation/documentation).

Approx. shipping weight	145 lbs
Turbine power	600 W
Air heater	700 W

WARRANTY

Controls-LED-Geysair*	5 years
Bath & turbine*	20 years

*Some restrictions apply | www.bainultra.com/warranty



The specifications shown indicate the outer edge dimension and the inside bathing capacity dimension measured at air jets' height. The manufacturer accepts a 1/4" [0.64 cm] variance. There are variations on each product and specifications are subject to change as we improve upon our product as required. The dimensions needed for site preparation and structure building will differ. BainUltra® assumes no responsibility for preparatory work done prior to the product being on site.