



PRODUCT SHEET

AMMA OVAL 7242 (FREESTANDING)

72" X 42" X 28"



THERMOMASSEUR® BATH	\$
THERMASENS® BATH	\$
TUB	\$

THERMOMASSEUR (TMU)	
Jets	58
2 heated backrests (Independently controlled)	included
2 heated headrests (Independently controlled)	included
MiaPlus® Control	included
Geysair®	included
AromaCloud®	\$
Chromatherapy - 3 LED	\$






THERMASENS (TMSU)		TUB
AromaCloud®	included	\$
Chromatherapy - 3 LED	included	\$
WarmTouchShell®	included	\$
DOT control	included	included with therapy
2 nd WarmTouchShell®	\$	\$

FEATURES			
Installation		Freestanding	
No. of bathers	2	Inverted V	2
US gallons	65	Armrests	4
Imp. gallons	54	Grab bars (color match)	2
Raised seats	2	Waste & overflow (16" x 35")	inst. & incl.

OPTIONAL UPCHARGE APPLICABLE

COLOR
Choose the bath color
 1. Choose the bath color from standard or optional colors.
 2. Choose the base color same as bath color or wood.
 3. Choose the exterior shell color from standard or optional colors.

Optional color - bath + exterior shell	\$
Optional color for interior shell only	\$
Optional color for exterior shell only	\$

Standard	
 White	 Biscuit
Optional	
 Black	 Sandbar
 Gray	\$

CONTROL	
MiaMulti®	\$

CLEAR ACRYLIC GRAB BARS	
With Chrome, Brass or Brushed nickel inserts	\$

WASTE & OVERFLOW INTEGRATED WASTE & OVERFLOW	
White, Biscuit	\$
Chrome, Brass, Brushed & Polished nickel	\$

ISLAND TUB DRAIN™*	
Island Tub Drain™	\$

 DON'T FORGET TO INDICATE RAISED OR FLAT DECK.
SPECIFY THE FINISH FOR THE WASTE AND OVERFLOW.
 * AN ISLAND TUB DRAIN IS REQUIRED WHEN THERE IS NO ACCESS UNDER THE BATH.

1 800 463.2187  **From 8 a.m. to 8 p.m. Monday to Thursday (EST)**
 info@bainultra.com **From 8 a.m. to 5 p.m. on Friday (EST)**

AMMA OVAL 7242 (FREESTANDING) 72" X 42" X 28"

ACCESSORIES (OPTIONAL)

CUTTING TEMPLATE

90000036 (drop-in, freestanding)
90000059 (theatre stage)

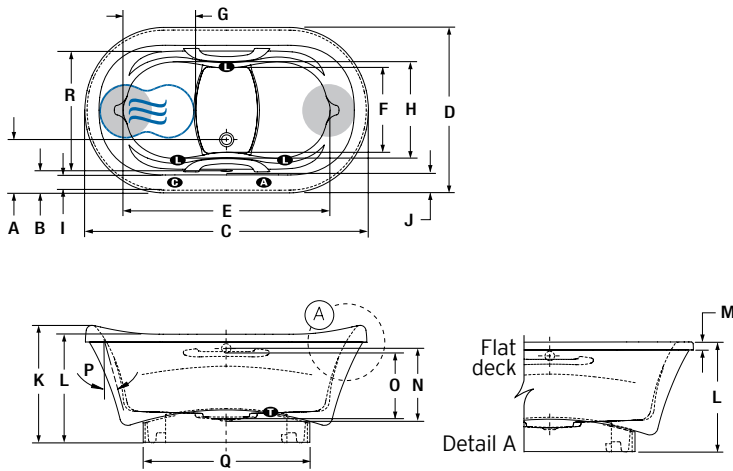
OTHERS

- There is a height difference for the flat deck (see drawing Detail A).
- Turbine located under bath and accessible by a removable base cover.
- Faucets might be installed on deck of bath. Overflow preinstalled for easier in-home fitting.
- Specify flat or raised deck.

TOTAL PRICE

\$

FREESTANDING INSTALLATION



LETTER	DESCRIPTION	MEASURE
A	Outside edge to center drain	13 1/2"
B	Outside edge to overflow	5 3/8"
C	Total length	72"
D	Total width	42"
E	Bathing well length	52 1/4"
F	Bathing well width at foot area	21 3/8"
G	Raised seat length	18 5/8"
H	Raised seat width	24"
I	Flat surface width	3 7/8"
J	Deck width	5 1/4"
K	Total height to headrest	29 7/8"
L	Height from bottom of tub to top deck	27 5/8"
M	Height from bottom of lip to top deck	2"
N	Height from drain to center of overflow	18 1/8"
O	Maximum water level	16 3/8"
P	Slope of backrest	18°
Q	Base length	42 5/8"
R	Base width	28 5/8"

- Indicates turbine position (TMU)
- Indicates LED light position
- Indicates heated backrest (TMU)
- Indicates control position when factory-installed (Mia or Dot)
- Indicates WarmTouchShell position (TMSU)
- Indicates AromaCloud position

Available with raised or flat deck.

TECHNICAL SPECIFICATIONS

Hot water supply required Should be 70% of water capacity of tub or greater.

Turbine Access to the pump must be at least 18" X 22". **Standard connection is 20 A, 120 V, 60 hz**, dedicated line with a Ground-Fault Circuit Interrupter (GFCI). **For any additional option, a second line is needed 15 A, 120 V, 60 hz**, dedicated line with a GFCI. Air vent necessary: 2" X 4" minimum

Our products must be installed by certified professionals only and according to our Owner's Manual as well as federal, provincial/state and local building codes and regulations (www.bainultra.com/documentation/documentation).

Approx. shipping weight 290 lbs

Turbine power 600 W

Air heater 1 000 W

WARRANTY

Controls-LED-Geysair* 5 years

Bath & turbine* 20 years

*Some restrictions apply | www.bainultra.com/warranty



The specifications shown indicate the outer edge dimension and the inside bathing capacity dimension measured at air jets' height. The manufacturer accepts a 1/4" [0,64 cm] variance. There are variations on each product and specifications are subject to change as we improve upon our product as required. The dimensions needed for site preparation and structure building will differ. BainUltra® assumes no responsibility for preparatory work done prior to the product being on site.