



PRODUCT SHEET
ESSENCIA 6838
 68" X 38" X 26"



FREESTANDING

THERMOMASSEUR® BATH	\$
THERMASENS® BATH	\$
TUB no therapy	\$

THERMOMASSEUR (TMU)

Jets	59
1 heated backrest	included
1 heated headrest	included
MiaMulti® Control*	included
Geysair®	included
AromaCloud®	\$
Chromatherapy - LED	included

THERMASENS (TMSU)

AromaCloud®	included	TUB	\$
Chromatherapy - 2 LED	included		\$
WarmTouchShell®	included		\$
DOT control	included		included with therapy

FEATURES

Installation		Freestanding	
No. of bathers	2	Armrests	2
US gallons	67	Grab bars (color match)	2
Imp. gallons	56	Footrest	1
Raised seat	1	Waste & overflow (16x35)	inst. & incl.
Inverted V	1		

FEATURES INCLUDED

COLOR

Standard



OPTIONAL UPCHARGE APPLICABLE

FINISH

UltraVelour Matte Finish (White Only)	\$
---------------------------------------	----

CLEAR ACRYLIC GRAB BARS

With Chrome, Brass or Brushed nickel inserts	\$
--	----

INTEGRATED WASTE & OVERFLOW

White, Biscuit, Chrome, Brass, Brushed nickel, Polished nickel	\$
--	----

ISLAND TUB DRAIN™**

Island Tub Drain™	\$
-------------------	----



DON'T FORGET THAT THIS MODEL IS AVAILABLE IN WHITE ONLY.
DON'T FORGET TO SPECIFY THE FINISH OF THE INTEGRATED WASTE & OVERFLOW.
 * FOR TMU, CONTROL AND FAUCET CANNOT BE INSTALLED ON THE DECK OF THE BATH.
 ** AN ISLAND TUB DRAIN IS REQUIRED WHEN THERE IS NO ACCESS UNDER THE BATH.
 FOR ESSENCIA 6838, THE ISLAND TUB DRAIN IS COMPATIBLE ONLY WITH BRASS WASTE & OVERFLOW KIT (BDRCOB) AND BRASS WASTE KIT (BDRCB).

1 800 463.2187
 info@bainultra.com

From 8 a.m. to 8 p.m. Monday to Thursday (EST)
 From 8 a.m. to 5 p.m. on Friday (EST)



The quest for your wellness™

www.bainultra.com

ESSENCIA 6838 68" X 38" X 26"

ACCESSORIES (OPTIONAL)

CUTTING TEMPLATE

90000057

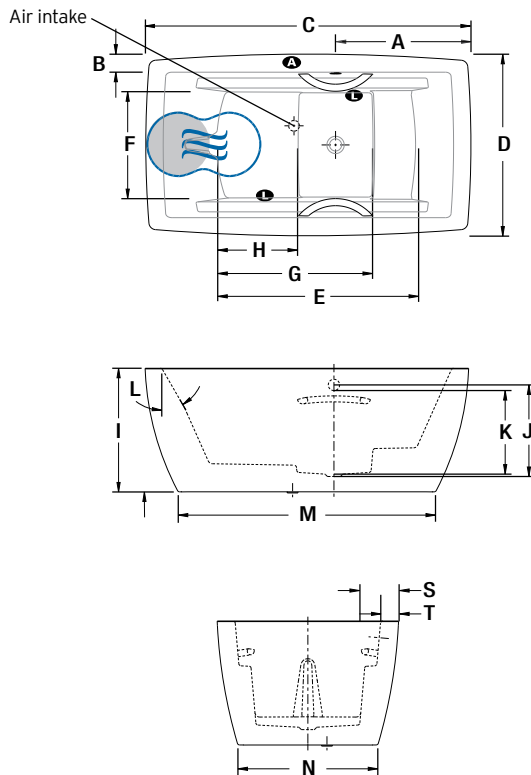
OTHERS

- Faucet must be freestanding or wall-mounted.
- The turbine must be remotely installed.
- TMU: Control must be wall-mounted.
- TMSU: Dot controls are located on either sides of the AromaCloud.

TOTAL PRICE

\$

FREESTANDING INSTALLATION



LETTER	DESCRIPTION	MEASURE
A	Outside edge to center waste	28 1/4"
B	Deck width	3 3/4"
C	Total length	68"
D	Total width	38"
E	Bathing well length	42"
F	Bathing well width	22 3/8"
G	Bottom bathing well length	32 3/8"
H	Raised seat length	16 5/8"
I	Height from bottom of tub to top deck	26"
J	Height from waste to center of overflow	19 1/4"
K	Maximum water level	17 5/8"
L	Slope of backrest	30°
M	Base length	54 1/8"
N	Base width	29 1/4"
S	Minimum spout reach	7 3/4"
T	Outside edge to overflow	4"

- Indicates LED light position
- Indicates AromaCloud position
- ☰ Indicates WarmTouchShell position (TMSU)
- Indicates heated backrest (TMU)

TECHNICAL SPECIFICATIONS

Hot water supply required	Should be 70% of water capacity of tub or greater.
Turbine	Access to the pump must be at least 18" X 22". Standard connection is 20 A, 120 V, 60 hz, dedicated line with a Ground-Fault Circuit Interrupter (GFCI). For any additional option, a second line is needed 15 A, 120 V, 60 hz, dedicated line with a GFCI. Air vent necessary: 2" X 4" minimum

Our products must be installed by certified professionals only and according to our Owner's Manual as well as federal, provincial/state and local building codes and regulations (www.bainultra.com/documentation/documentation).

Approx. shipping weight	290 lbs
Turbine power	755 W
Air heater	700 W

WARRANTY

Controls-LED-Geysair*	5 years
Bath & turbine*	20 years

*Some restrictions apply | www.bainultra.com/warranty

The specifications shown indicate the outer edge dimension and the inside bathing capacity dimension measured at air jets' height. The manufacturer accepts a 1/4" [0,64 cm] variance. There are variations on each product and specifications are subject to change as we improve upon our product as required. The dimensions needed for site preparation and structure building will differ. BainUltra® assumes no responsibility for preparatory work done prior to the product being on site.

