



# ESSENCIA DROP-IN

## ESSENCIA OVAL 7236 & DESIGN 7438

### INSTALLATION INSTRUCTIONS

ADDENDUM to ESSENCIA - INSTALLATION INSTRUCTIONS\*

---

#### IMPORTANT INFORMATION FOR THE INSTALLER AND THE OWNER

\* This document should always be accompanied by the **ESSENCIA - INSTALLATION INSTRUCTIONS**.

**TABLE OF CONTENT**

IMPORTANT SAFETY INSTRUCTIONS ..... 1

PARTS & TOOLS ..... 3

SITE PREPARATION ..... 5

INSTALLATION

- DROP-IN WITH REMOTE MOUNTING OF TURBINE – ESSENCIA OVAL 7236 & DESIGN 7438 ..... 7
- DROP-IN WITH FACTORY INSTALLED TURBINE – ESSENCIA OVAL 7236 ..... 14
- UNDERMOUNT WITH REMOTE MOUNTING OF TURBINE – ESSENCIA DESIGN 7438 ..... 15

CUTTING TEMPLATES ▪ ELECTRONIC CONTROLS ..... ESSENCIA - INSTALLATION INSTRUCTIONS Manual page 34

## **IMPORTANT SAFETY INSTRUCTIONS PERTAINING TO RISKS OF FIRE, ELECTROCUTION OR PERSONAL INJURY**

### **READ AND FOLLOW ALL INSTRUCTIONS ▀ SAVE THESE INSTRUCTIONS**

**THIS DOCUMENT SUPERCEDES THE INSTALLATION INSTRUCTION IN THE OWNER'S MANUAL.**

#### **WARNING**

- Risk of hyperthermia; people using medication and/or having an adverse medical history should consult a physician before using a Hydro-thermo massage® bathtub equipped with a heater.
- Risk of hyperthermia and possible drowning: do not use a Hydro-thermo massage® bathtub equipped with heater immediately following strenuous exercise.
- Risk of fetal injury; pregnant or possibly pregnant women should consult a physician before using a Hydro-thermo massage® bathtub equipped with a heater.
- Risk of accidental injury or drowning; do not use drugs or alcohol before or during the use of a Hydro-thermo massage® bathtub equipped with a heater.
- Use this unit only for its intended purposes or as described in this manual. Use only accessories or devices recommended by the manufacturer.
- Risk of hyperthermia and possible drowning. Check and adjust water temperature before use. Water temperature exceeding 100°F (38°C) may be injurious to your health.
- To reduce the risk of injury, as with any other conventional bath, do not allow children or physically impaired people to use this unit unless they are closely supervised at all times.
- To avoid injury, exercise care when entering or exiting the Thermomasseur®.
- The Geysair (option) should always be connected to the hot water intake. If it is not the case, then, the Geysair option should be deactivated via the bath control.


#### **RISK OF ELECTRICAL SHOCK**

- Disconnect electric power before servicing.
- Do not permit electrical appliances (hair dryer, lamp, telephone, radio, television, etc.) within 5' (1,5 m) of the Thermomasseur®.
- Before using the Thermomasseur®, its exterior construction (podium or skirting) should be finished so that a bather cannot accidentally come in contact with electrical components (turbine and power module).
- For indoor use only.

**IMPORTANT SAFETY INSTRUCTIONS (cont'd)  
PERTAINING TO RISKS OF FIRE, ELECTROCUTION OR PERSONAL INJURY****READ AND FOLLOW ALL INSTRUCTIONS ▪ SAVE THESE INSTRUCTIONS**

THIS DOCUMENT SUPERCEDES THE INSTALLATION INSTRUCTION IN THE OWNER'S MANUAL.

**ELECTRICAL CONNECTIONS:**

- Never drop or insert objects into any openings.
- The Thermomasseur® must be connected only to a supply circuit that is protected by a 20 amp class A ground fault circuit interrupter (GFCI). Optional therapies such as Chromatherapy and/or 2<sup>nd</sup> heated backrest and/or WarmTouchShell® must be connected to a supply circuit that is protected by a 15 amp class A ground fault circuit interrupter (GFCI). This interrupter is supplied by a certified electrician and must be tested on a regular basis in accordance with manufacturer's instructions. The GFCI ground must be connected. If defective, do not use the Thermomasseur. Disconnect immediately and call a certified electrician.
- Use 12 AWG (or greater) copper conductors that resist temperatures of at least 194°F (90°C).
- **Canada only:** for permanently connected units. A green-colored terminal (or a wire connector marked g., gr., ground or grounding) is provided within the terminal compartment (not applicable if unit supplied with an electric plug). To reduce the risk of electrocution, connect this terminal or connector to the grounding terminal of your electric service or supply panel with conductor equivalent in size to the circuit conductors supplying the equipment and be 12 AWG or more.
- All electrical connections must be carried out by a certified electrician and must respect federal, provincial/state, and local building codes and regulations.
- Install in accordance with manufacturer's installation instructions.
- For Geysair-equipped baths using remote turbine installation (not mounted on the bath), grounding continuity must be tested between the bath grounding terminal  and the bath power supply. Failure to perform the grounding continuity test could result in serious personal injury.

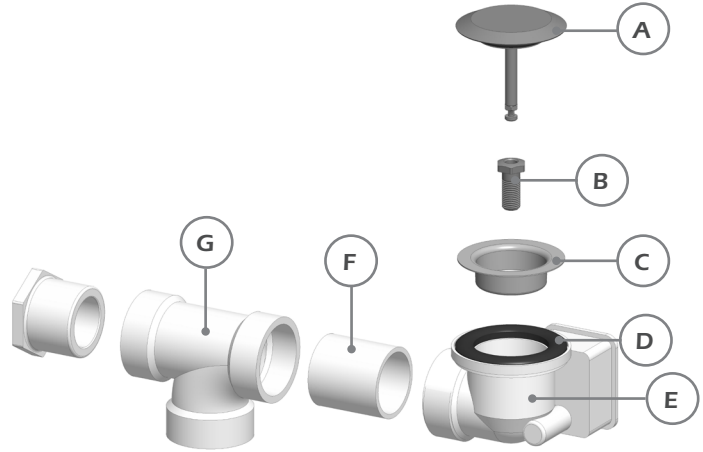
**WATER LEAK TEST**

- Once plumbing is fully installed and before beginning any other work, fill the ThermoMasseur® with water to overflow level and wait 30 minutes. Check all plumbing hook-ups and bath for leaks. BainUltra® is not responsible for any water damage caused by improper installation (see Warranty section).

**PARTS & TOOLS REQUIRED**

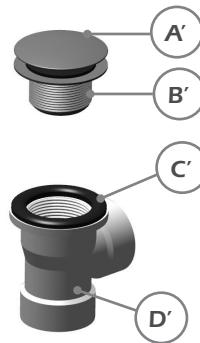
**STANDARD PARTS - PLUMBING  
ESSENCIA OVAL 7236**

	DESCRIPTION	QTY
A	Plated drain clicker	1
B	Locking nut	1
C	Strainer	1
D	Rubber seal	1
E	PVC Wired drain shoe	1
F	PVC Piping 1-1/2" x 2"	1
G	PVC Tee Connector 1-1/2" F-F	1



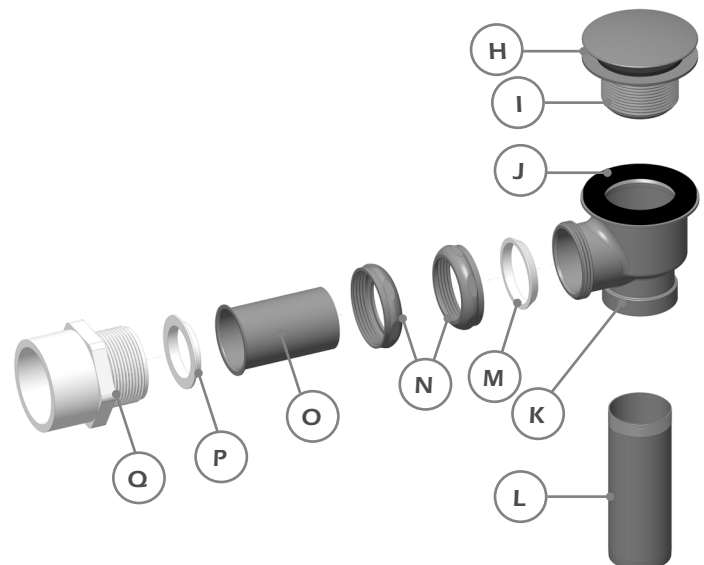
**STANDARD PARTS - PLUMBING  
ESSENCIA DESIGN 7438**

	DESCRIPTION	QTY
A'	Plated drain clicker	1
B'	Strainer	1
C'	Rubber seal	1
D'	PVC drain shoe	1



**PLUMBING  
STANDARD PARTS – DESIGN 7438  
OPTIONAL PARTS – OVAL 7236<sup>(1)</sup>**

	DESCRIPTION	QTY
H	Plated drain clicker	1
I	Strainer	1
J	Rubber seal	1
K	Brass drain shoe	1
L	4 in. brass tailpiece	1
M	Nylon conic shaped seal for drain	1
N	Brass nut	2
O	Brass pipe 1-1/2" x 3" with flange	1
P	Nylon flat seal with flange	1
Q	1-1/2" male threaded adaptor	1

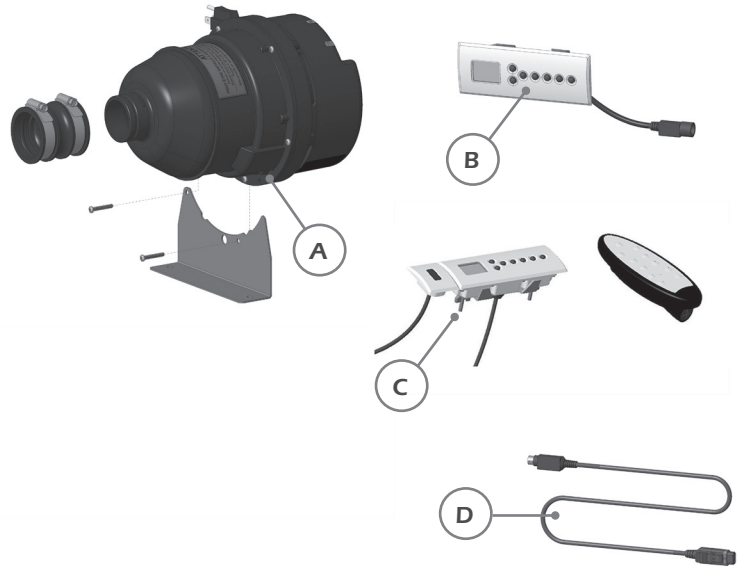


(1): Integrated Waste & Overflow

**PARTS & TOOLS REQUIRED**

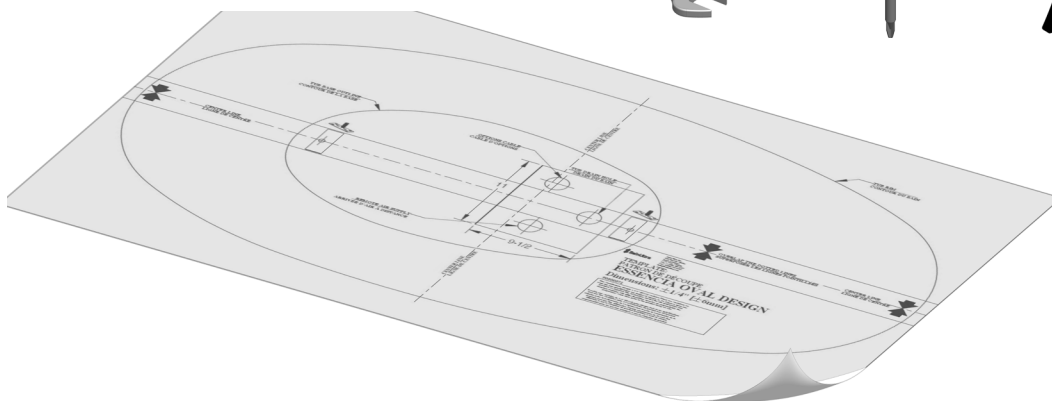
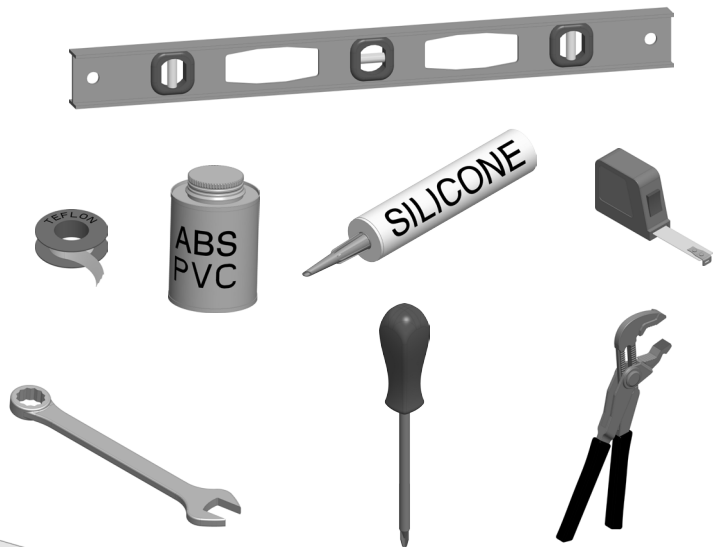
**STANDARD PARTS – THERMOMASSEUR®**

	DESCRIPTION	QTY
A	Turbine	1
B	MiaPlus® Control (Design 7438)	1
C	MiaMulti® Control (Oval 7236)	1
D	15' extension cord	1



**PARTS & TOOLS REQUIRED**

- Installation template
- 48-inch level
- Measuring tape
- Teflon tape
- Caulking gun
- Silicone
- ABS & PVC Glue
- Square/Phillips #2 Screwdriver
- 3/4" Ratchet
- Adjustable clamps



## SITE PREPARATION

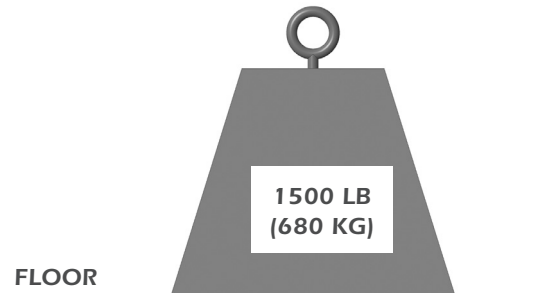
### PLUMBING

- See faucet manufacturer's specifications for zoning and plan water supply location accordingly.
- Position drain according to bath's technical specifications.



#### WARNING

- Baths from Essencia® collection cannot be drilled for faucet installation. Faucets must be **freestanding**, **wall-mounted** models, or **installed on podium box**.



### BEDDING

- Before installing, ensure that the floor underneath the bath can support 1500 lb (680 kg). The bath may sit directly on the floor. The bathtub can also sit on a concrete bed. In that case, it is recommended to isolate the concrete between two plastic sheets: one installed on the floor and the other under the bath.

### SERVICE ACCESS AND VENTILATION

- A service access is necessary. Minimum dimensions are 22" x 18" (55 cm x 46 cm) to properly reach all electrical components of the system.
- An air vent is necessary. Minimum dimensions are: 2" x 4" (5 cm x 10 cm) to ensure proper functioning of the turbine.

There is a technical specification sheet for each BainUltra® ThermoMasseur® which includes information such as necessary dimensions of site before installation.

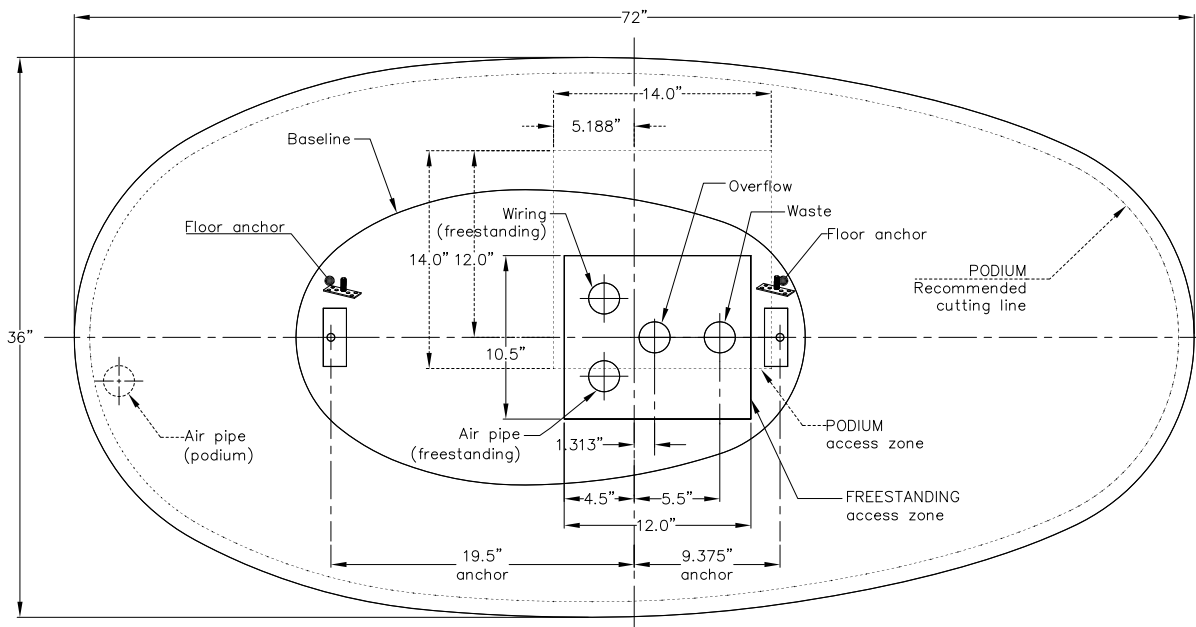
If you do not already have the technical specifications, download from the BainUltra® Web site at: [bainultra.com](http://bainultra.com) or call us at: **1 800 463-2187**.



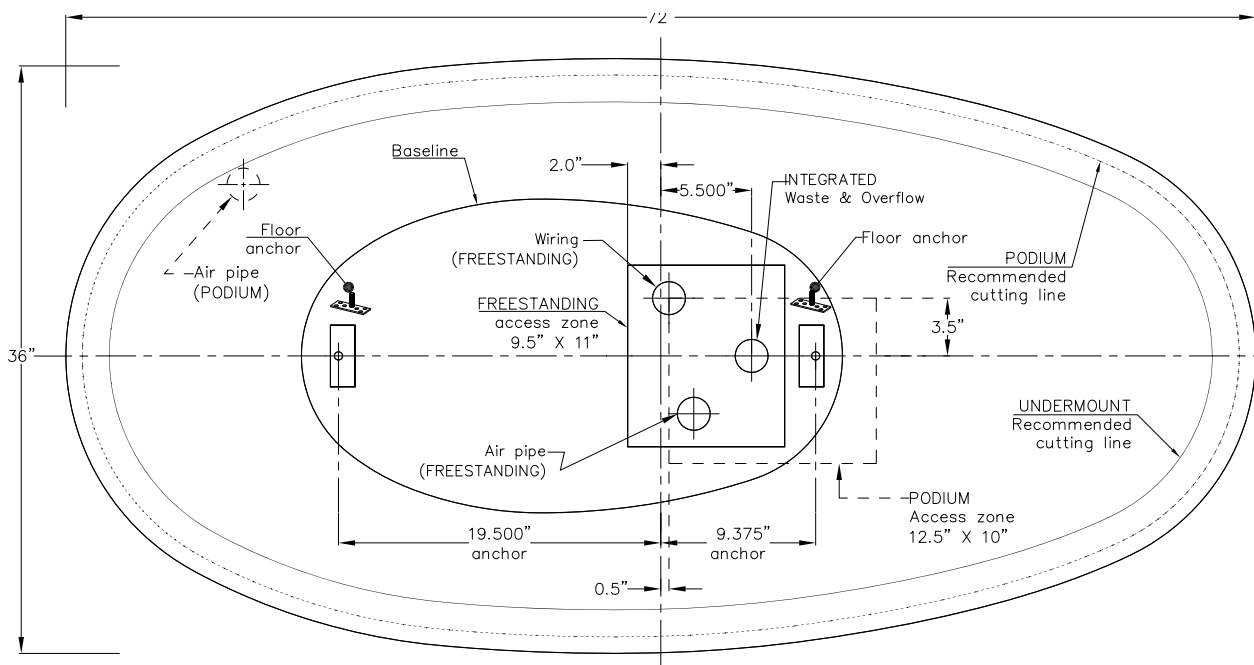
**DROP-IN INSTALLATION WITH REMOTE MOUNTING OF TURBINE  
ESSENCIA OVAL 7236 & DESIGN 7438**

**PLUMBING - INTALLATION TEMPLATES - FLOOR LAYOUT FOR PIPES AND ACCESS**

**ESSENCIA OVAL 7236**



**ESSENCIA DESIGN 7438**



**NOTE:** Please refer to the **Installation Template** provided with your **ESSENCIA bath**. However, if it is missing, please contact us at **1-800-463-2187** to order it.



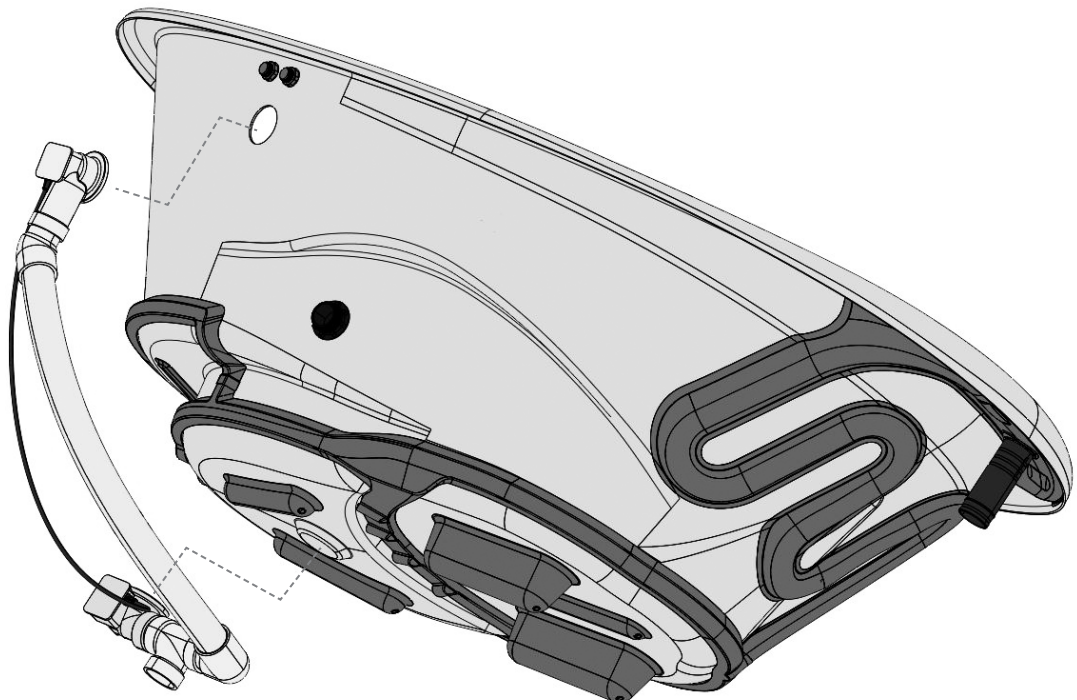
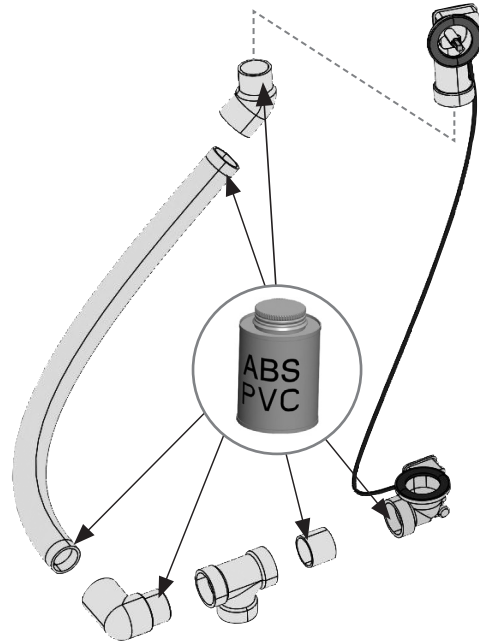
**DROP-IN INSTALLATION WITH REMOTE MOUNTING OF TURBINE  
ESSENCIA OVAL 7236 & DESIGN 7438**

**1 PLUMBING - ESSENCIA OVAL 7236**

Assembly of the waste & overflow.

**⚠ WARNING**

- Refer to manufacturer's instructions supplied with packaging of components for final assembly.



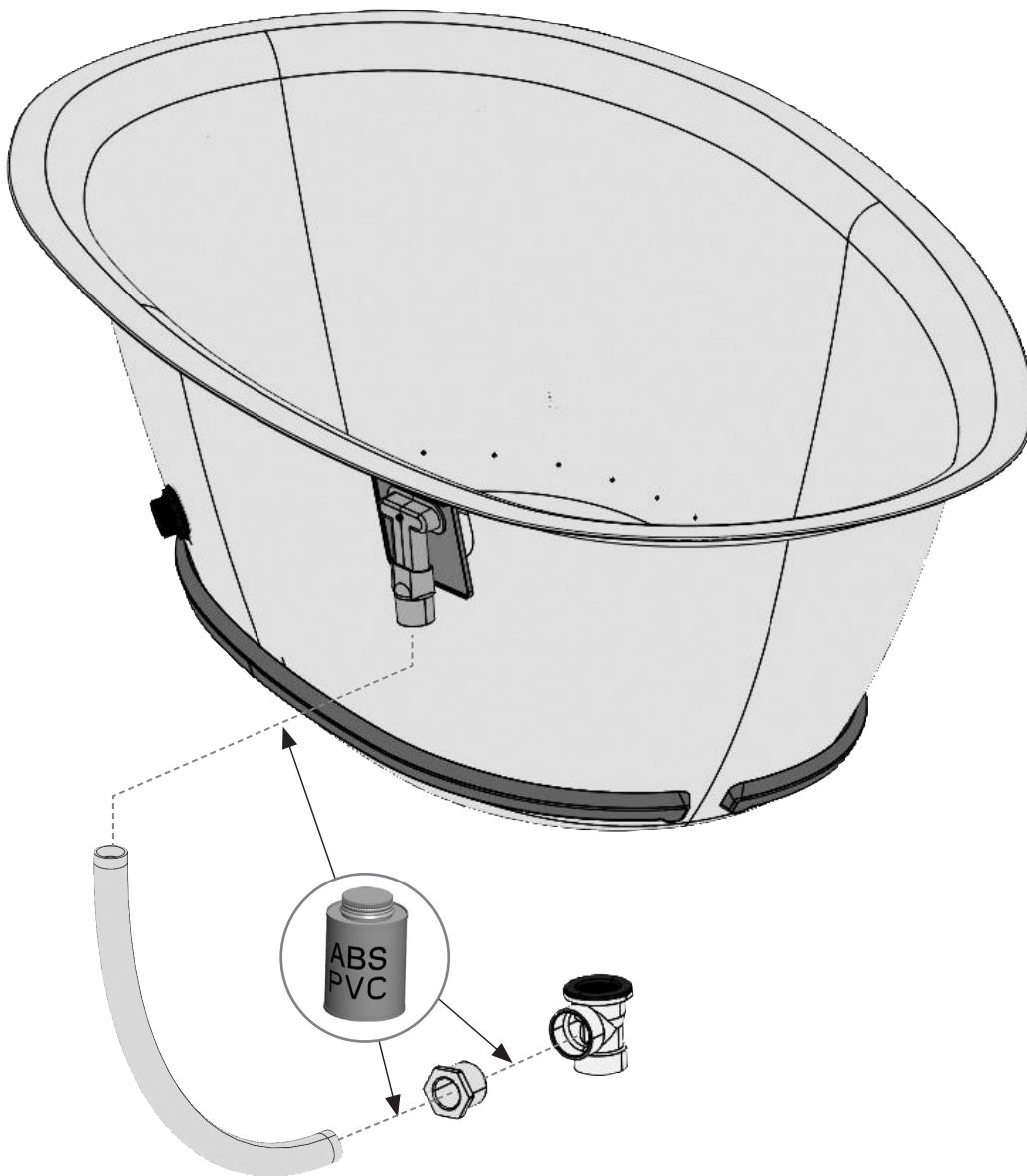
**DROP-IN INSTALLATION WITH REMOTE MOUNTING OF TURBINE  
ESSENCIA OVAL 7236 & DESIGN 7438**

**1 PLUMBING - ESSENCIA DESIGN 7438**

Assembly of the waste & overflow.

**! WARNING**

- Refer to manufacturer's instructions supplied with packaging of components for final assembly.



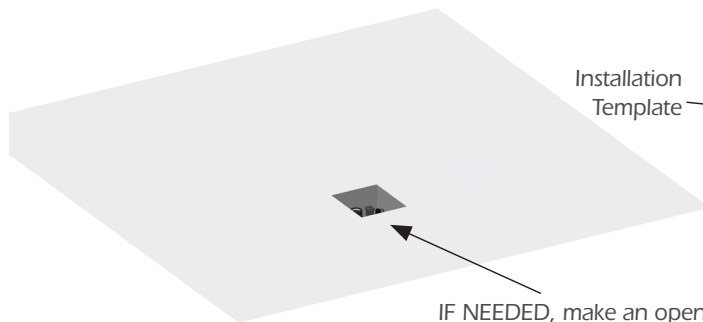
**DROP-IN INSTALLATION WITH REMOTE MOUNTING OF TURBINE  
ESSENCIA OVAL 7236 & DESIGN 7438**

**2 DROP-IN CONSTRUCTION**



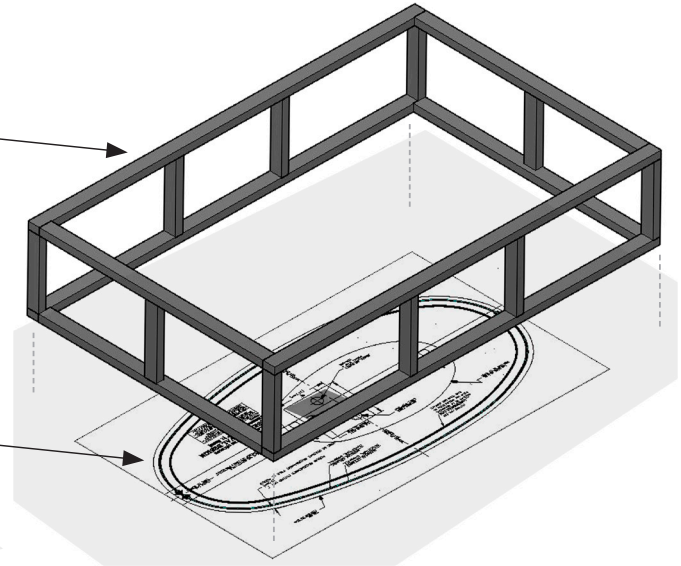
**HELPFUL TIP:**

- Build the box according to the location of the bath on the installation template.



Box Structure

Installation Template



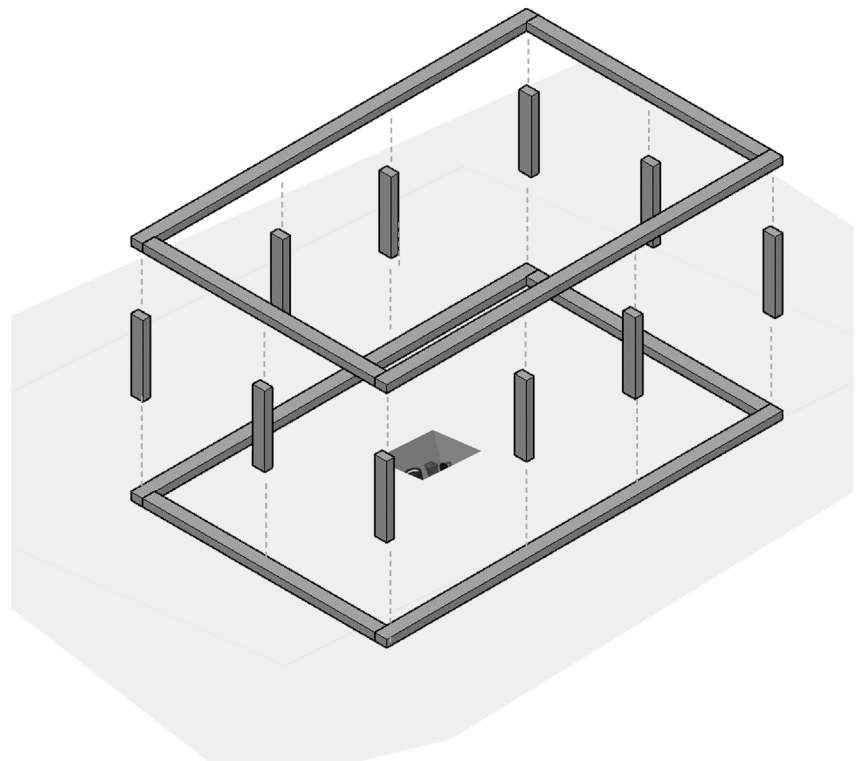
IF NEEDED, make an opening of sufficient dimension in the panel to allow **air, electrical & plumbing** connections, access according to dimensions on installation template.

**Build the wooden box structure (2" x 3" or better) taking into account the thickness (plywood), finish (ceramic, laminate, granite, marble, quartz, or other), and the height of the bath.**



**WARNING**

- Make sure that the structure is levelled to the ground and square.



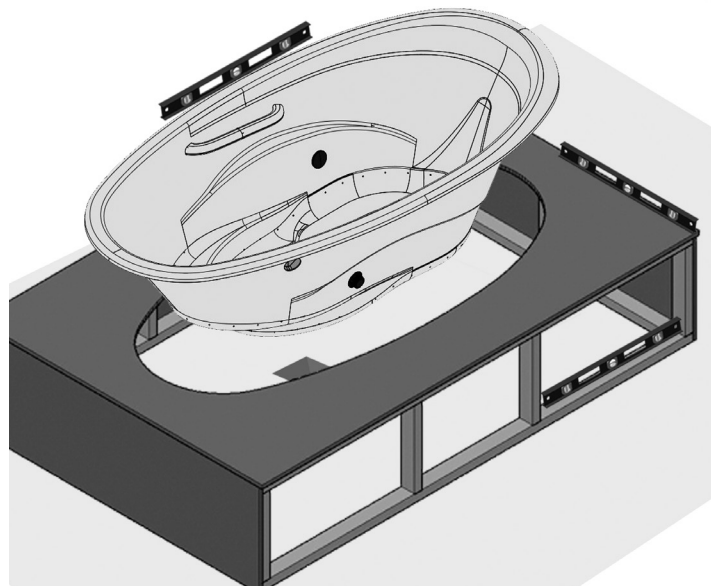
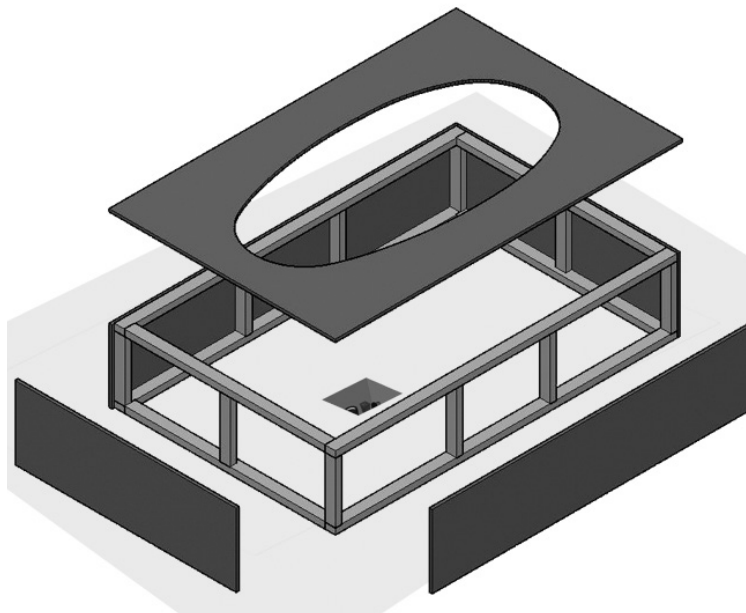
**DROP-IN INSTALLATION WITH REMOTE MOUNTING OF TURBINE  
ESSENCIA OVAL 7236 & DESIGN 7438**

**2 DROP-IN - CONSTRUCTION** (cont'd)

Fix **INTERMEDIATE** panels (plywood recommended) on the sides and at the top.

**! WARNING**

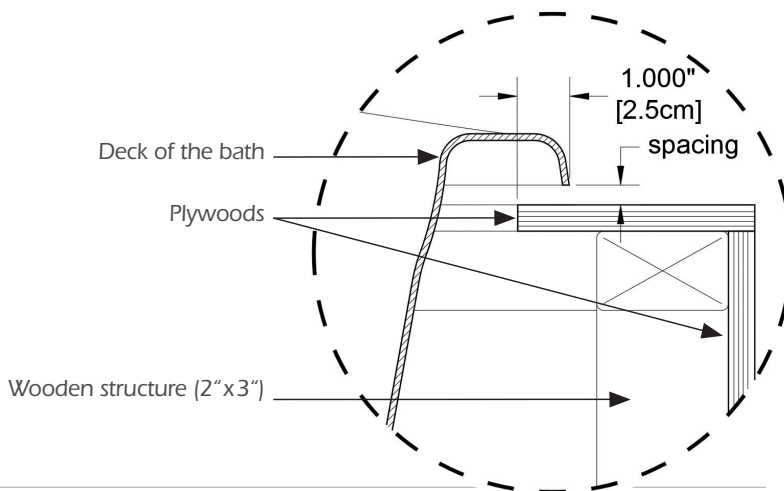
- Draw the outside contour of the bath on the intermediate top panel according to the "DROP-IN" cut line drawn on the installation template
- Cut the intermediate top panel at 1" (2.5 cm) inside the outline of tub deck dimension.
- Keep an access for electrical & plumbing connections.



Check the bath level with the ground and its clearance with the opening on top of the box. Use shims if necessary and attach them to the ground.

**! WARNING FOR DROP-IN ONLY**

- Check the spacing from the bottom of the deck to the top of the plywood panel to clear the thickness of the finishing material plus a **clearance of at least 1/16" (0.2 cm)**, considering the thickness of the glue of the finishing. Adjust the height of the bath to the floor if necessary.
- The bath is molded with a slope towards the drain. If the bathtub is levelled according to bath deck surface, the water will drain completely.



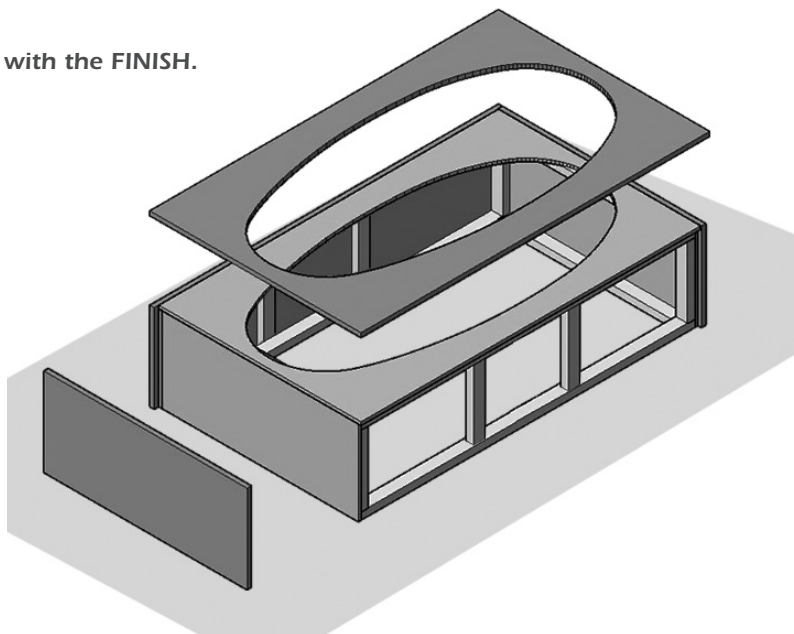
**DROP-IN INSTALLATION WITH REMOTE MOUNTING OF TURBINE  
ESSENCIA OVAL 7236 & DESIGN 7438**

**2 DROP-IN CONSTRUCTION** (cont'd)

Cover the edge and the contour of the box with the FINISH.

**! WARNING**

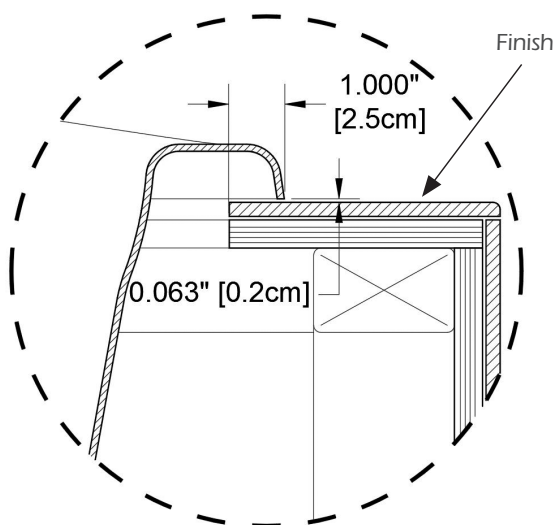
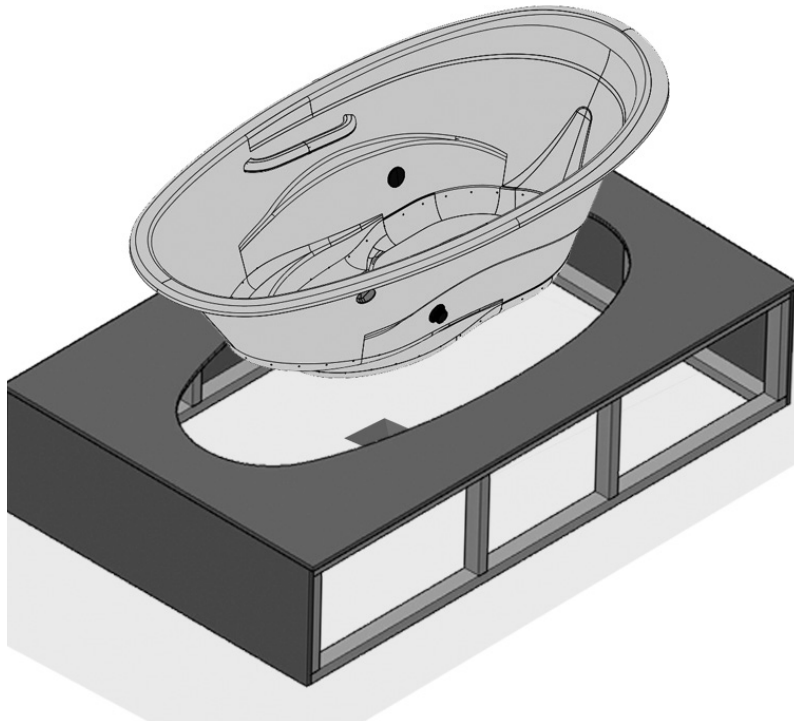
- Cut the contour of the bath on the top panel following the "DROP-IN" cut line drawn on the installation template, at 1" (2,5 cm) from the outside edge of the bath area.
- Keep an access to perform electrical & plumbing connections.
- Keep minimum 22" x 18" (55 cm x 46 cm) access to perform electrical & plumbing connections and facilitate repairs.
- An air intake of at least 2" x 4" (5 cm x 10 cm) is necessary to ensure proper functioning of the turbine.



Reposition the bath in the box opening.

**! WARNING**

- Once the bath is placed on the floor, it is recommended to have a clearance of 1/16" (0.2 cm) between the deck of the bath and the top of the box.



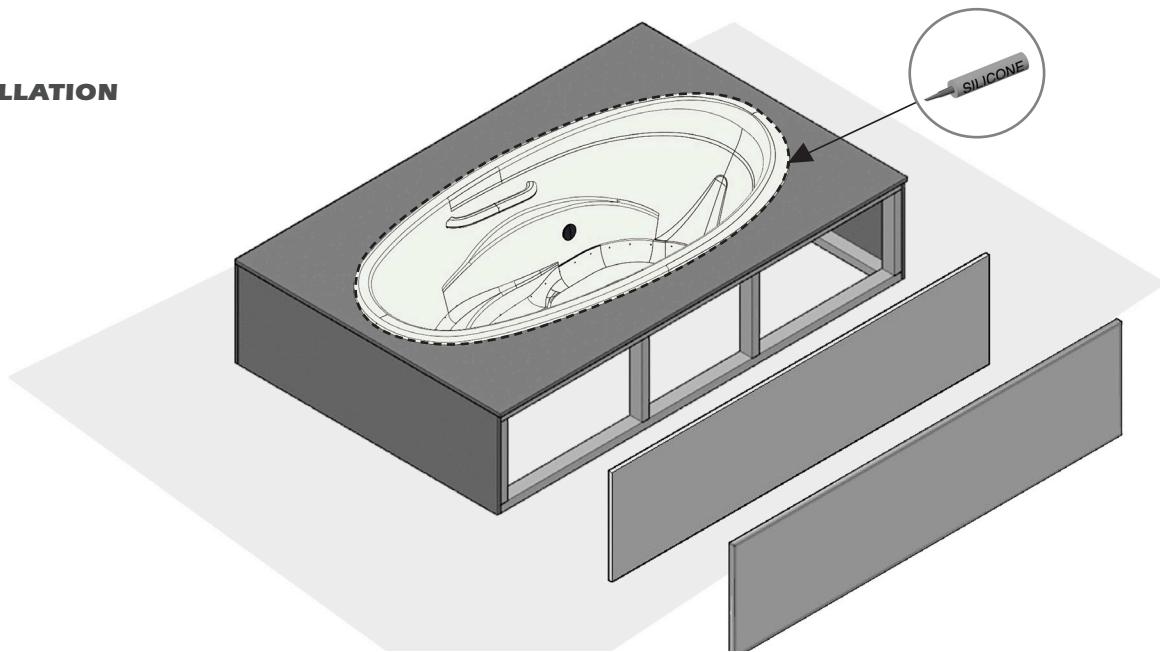


**DROP-IN INSTALLATION WITH REMOTE MOUNTING OF TURBINE  
ESSENCIA OVAL 7236 & DESIGN 7438**

FOR NEXT STEPS, PLEASE REFER TO THE **ESSENCIA – INSTALLATION INSTRUCTIONS MANUAL**

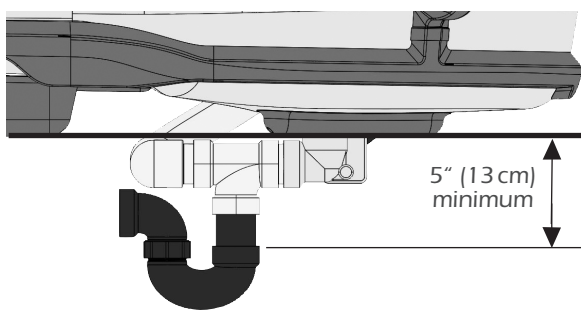
<b>2</b>	<b>TURBINE &amp; GEYSAIR INSTALLATION (FOR THERMOMASSEUR®)</b> .....	PAGE 12
<b>3</b>	<b>ELECTRICAL WIRING OF OPTIONAL COMPONENTS</b> .....	PAGE 12

**4 BATH INSTALLATION**

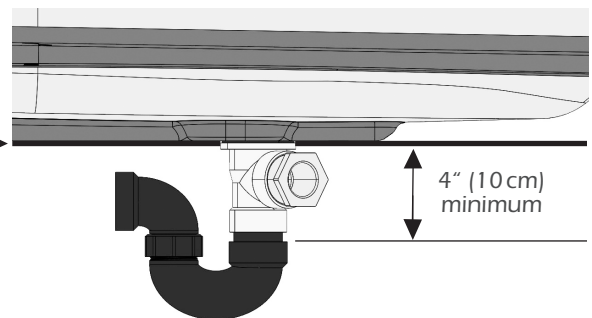


**! WARNING**

- Leave the plastic film on the bath and place a drop-cloth a cover in the bath during installation.
- Connect the drain.
- Perform a leak test before completing the box installation.
- Once the bath is placed on the floor, it is recommended to leave a clearance of 1/16" (0.2 cm) between the deck surface of the bath and the top of the box.
- Apply a bead of silicone on the contour of the bath to make sure the top of the box is sealed.



ESSENCIA OVAL 7236



ESSENCIA DESIGN 7438

**DROP-IN INSTALLATION WITH REMOTE MOUNTING OF TURBINE  
ESSENCIA OVAL 7236 & DESIGN 7438**

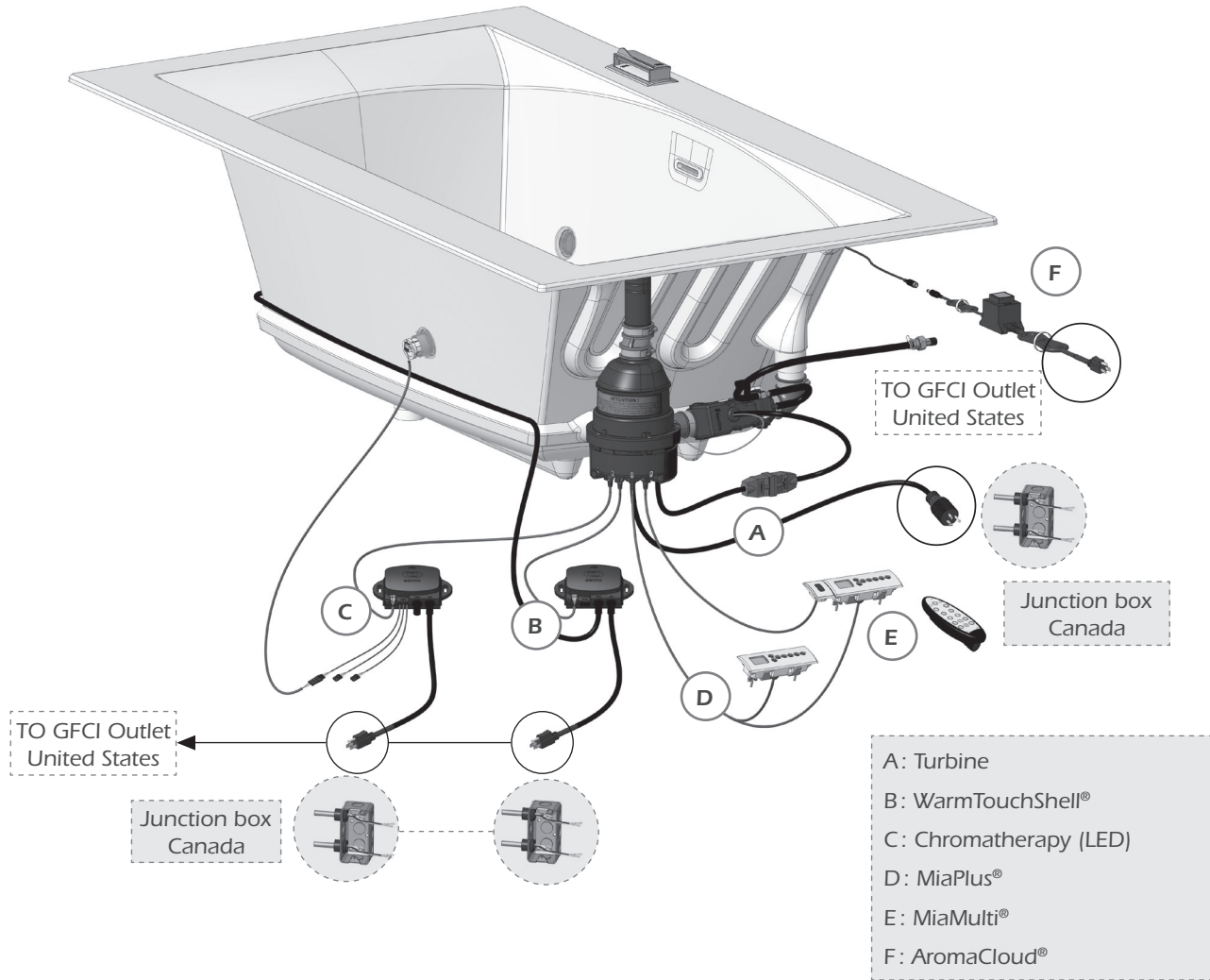
FOR NEXT STEPS, PLEASE REFER TO THE **ESSENCIA – INSTALLATION INSTRUCTIONS MANUAL**

<b>5</b>	ELECTRONIC CONTROL INSTALLATION – MIAPLUS® (DESIGN 7438) & MIAMULTI® (OVAL 7236) .....	PAGE 15
<b>6</b>	REMOTE MOUNTING OF TURBINE.....	PAGE 16
<b>7</b>	REMOTE MOUNTING OF TURBINE - AIR PIPE (THERMOMASSEUR®) .....	PAGE 17
<b>7</b>	REMOTE MOUNTING OF TURBINE - ELECTRICAL CONNECTIONS (THERMOMASSEUR) .....	PAGE 17
<b>8</b>	REMOTE MOUNTING OF TURBINE – ELECTRICAL CONNECTIONS OF OPTIONAL THERAPIES.....	PAGE 18
<b>8</b>	REMOTE MOUNTING OF OPTIONAL THERAPIES (TUB ONLY) .....	PAGE 19
	ELECTRICAL DIAGRAMS.....	PAGES 20 & 21



**DROP-IN INSTALLATION WITH FACTORY INSTALLED TURBINE  
ESSENCIA OVAL 7236**

**4 FACTORY INSTALLED TURBINE - ELECTRICAL WIRING - THERMOMASSEUR®**



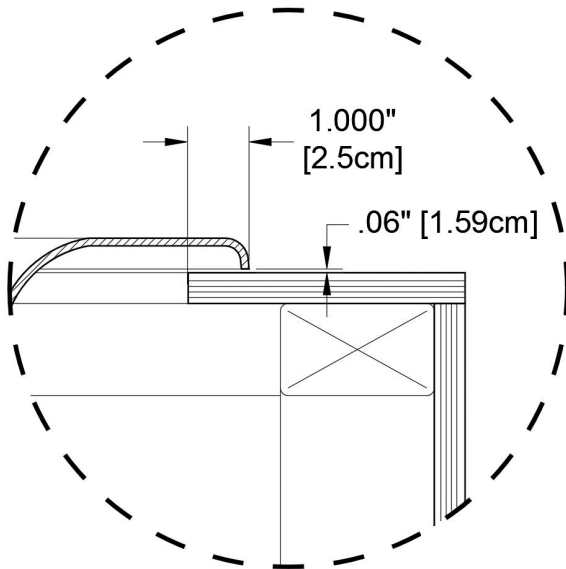
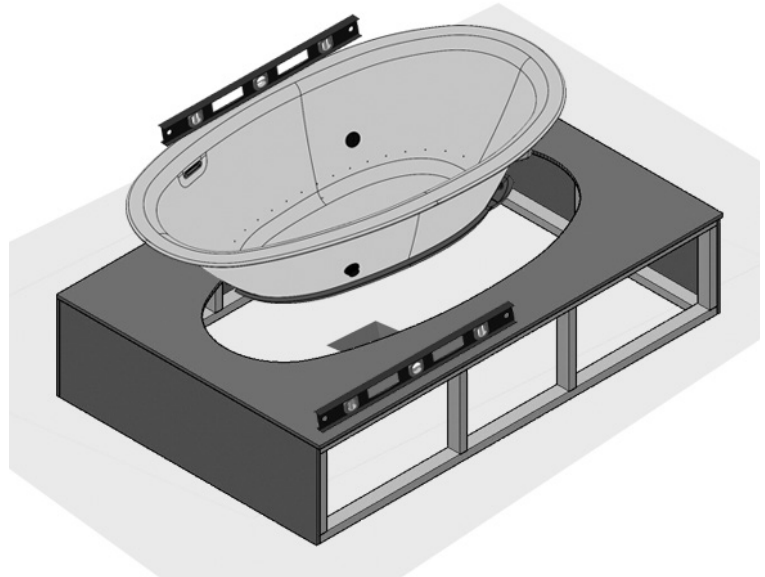
FOR ELECTRICAL DIAGRAMS, SEE: **ESSENCIA – INSTALLATION INSTRUCTIONS MANUAL, PAGES 20 & 21.**

**UNDERMOUNT INSTALLATION WITH REMOTE MOUNTING OF TURBINE  
ESSENCIA DESIGN 7438**

**2 BOX CONSTRUCTION** (PAGES 9 & 10)

**3 PRELIMINARY ADJUSTMENT OF BATH**

- Place the bath in the box opening.
- Check the bath level with the ground and its clearance with the opening on top of the box. Use shims if necessary and attach them to the ground.



**! WARNING**

- Check the spacing from the bottom of the deck to the top of the plywood panel to clear the thickness of the finishing material plus a **clearance of at least 1/16" (0.2 cm)**, considering the thickness of the glue for the finishing. Adjust the height of the bath to the floor if necessary.
- Proceed with a leak test before completing installation of the box.

FOR NEXT STEPS, PLEASE REFER TO THE **ESSENCIA – INSTALLATION INSTRUCTIONS MANUAL**

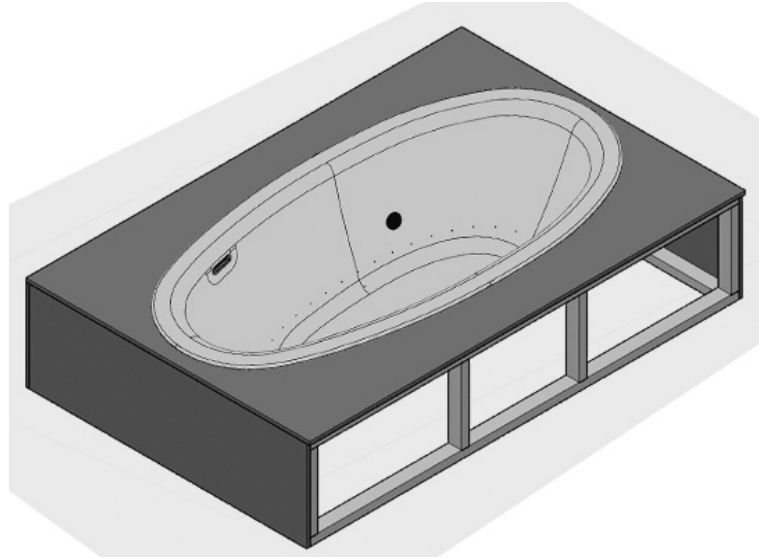
**2** TURBINE & GEYSAIR INSTALLATION (FOR THERMOMASSEUR®) .....PAGE 12

**3** ELECTRICAL WIRING OF OPTIONAL COMPONENTS .....PAGE 12

**UNDERMOUNT INSTALLATION WITH REMOTE MOUNTING OF TURBINE  
ESSENCIA DESIGN 7438**

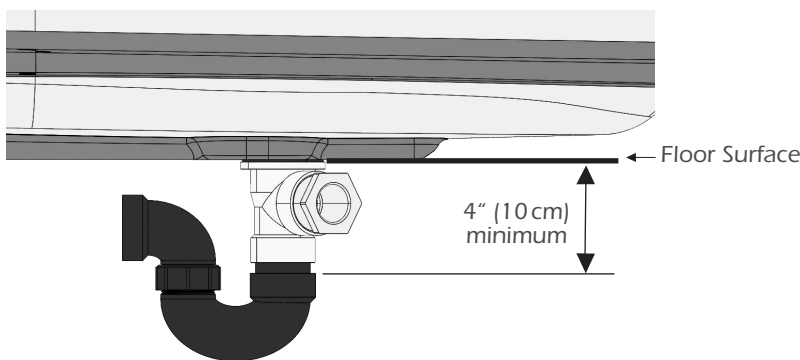
**4 BATH FINAL INSTALLATION**

Place the bath in the box opening for the final installation of the bath on the floor.

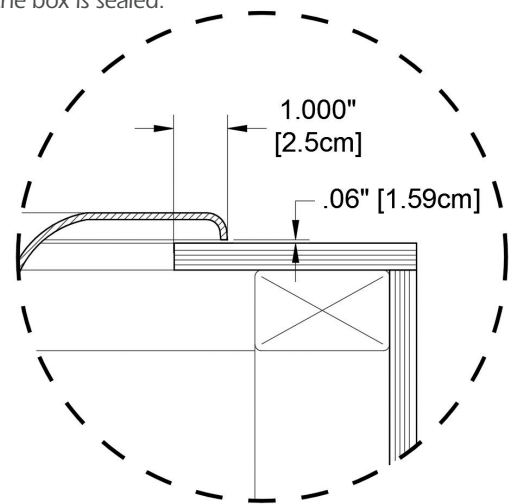


**! WARNING**

- Leave the plastic film on the bath and place a drop-cloth a cover in the bath during installation.
- Connect the drain (A).
- Perform a leak test before completing the box installation.
- Once the bath is placed on the floor, it is recommended to leave a **clearance of 1/16" (0.2cm)** between the deck surface of the bath and the top of the box (B).
- Apply a bead of silicone on the contour of the bath to make sure the top of the box is sealed.



A – ESSENCIA DESIGN 7438 – DRAIN CONNECTION

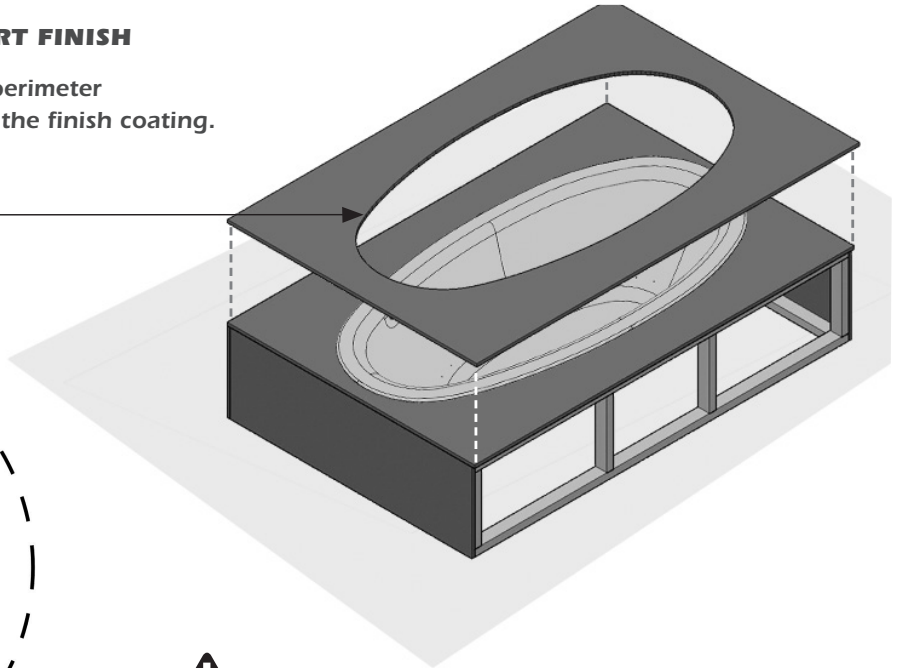
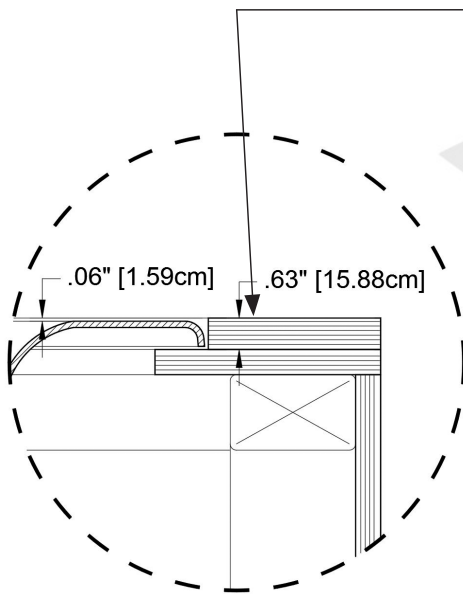


B – DECK OF THE BATH CLEARANCE

## UNDERMOUNT INSTALLATION WITH REMOTE MOUNTING OF TURBINE ESSENCIA DESIGN 7438

### 5 BATH UNDERMOUNT - SUPPORT FINISH

Add a full panel or sections at the perimeter of the bath to provide a support to the finish coating.



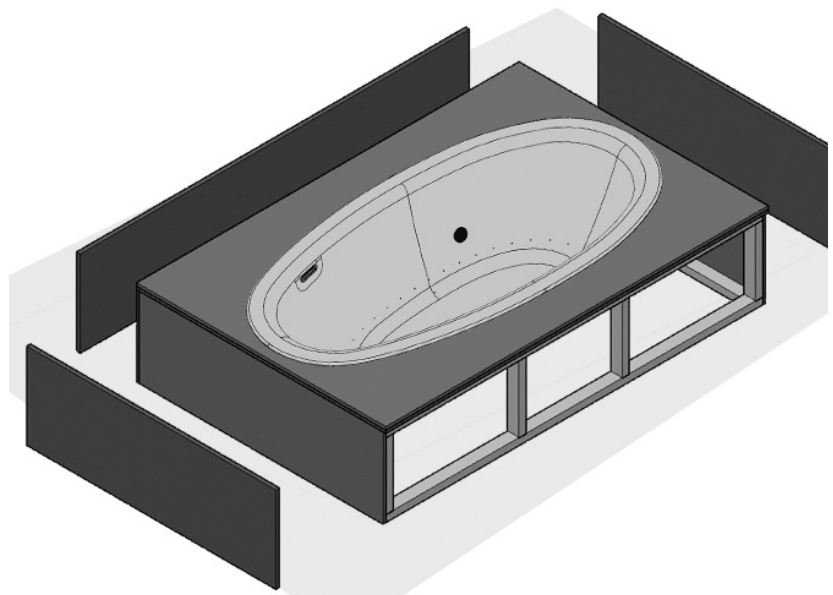
#### WARNING

- Leave the plastic film on the bath and place a drop-cloth a cover in the bath during installation.
- Cut the bath contour on the support panel according to the **EXTERIOR contour line** drawn on the installation template **AND LEAVE** an additional 1/4" (0.6 cm) of clearance.
- Check that the space left on top of the support panel leaves a 1/16" (0.2 cm) clearance with the top.

### 5 BATH UNDERMOUNT - BOX FINISH

#### WARNING

- Keep minimum 22" x 18" (55 cm x 46 cm) access to perform electrical & plumbing connections and facilitate repairs.
- An air intake of at least 2" x 4" (5 cm x 10 cm) is necessary to ensure proper functioning of the turbine.



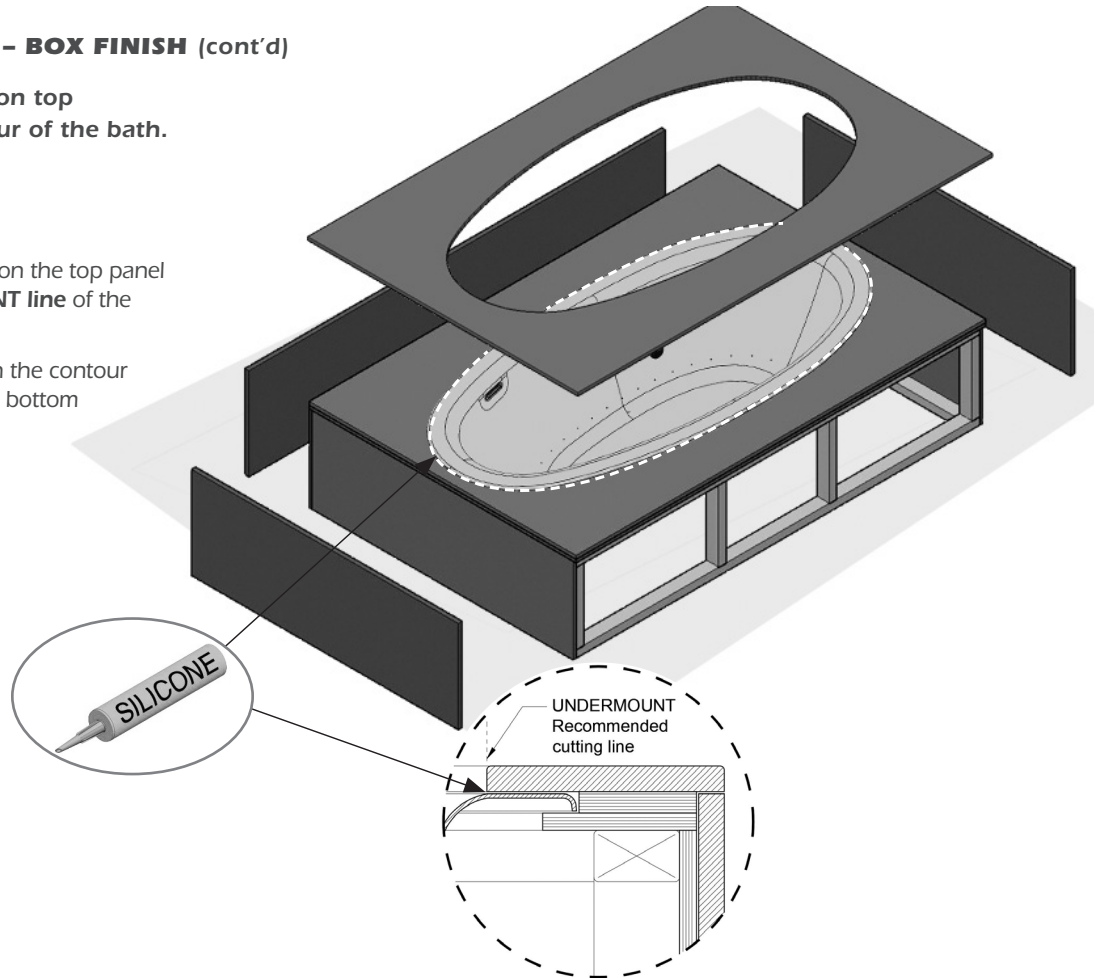
**UNDERMOUNT INSTALLATION WITH REMOTE MOUNTING OF TURBINE  
ESSENCIA DESIGN 7438**

**5 BATH UNDERMOUNT - BOX FINISH (cont'd)**

Apply the finish coating on top while opening the contour of the bath.

**WARNING**

- Cut the contour of the bath on the top panel following the **UNDERMOUNT line** of the installation template.
- Apply a bead of silicone on the contour of the bath to make sure the bottom of the box is sealed.



FOR NEXT STEPS, PLEASE REFER TO THE **ESSENCIA - INSTALLATION INSTRUCTIONS MANUAL**

<b>5</b>	<b>ELECTRONIC CONTROL INSTALLATION – MIAPLUS® &amp; MIAMULTI® (OPTIONAL) LOCATION</b> .....	<b>PAGE 15</b>
<b>6</b>	<b>REMOTE MOUNTING OF TURBINE</b> .....	<b>PAGE 16</b>
<b>7</b>	<b>REMOTE MOUNTING OF TURBINE - AIR PIPE (THERMOMASSEUR®)</b> .....	<b>PAGE 17</b>
<b>7</b>	<b>REMOTE MOUNTING OF TURBINE - ELECTRICAL CONNECTIONS (THERMOMASSEUR®)</b> .....	<b>PAGE 17</b>
<b>8</b>	<b>REMOTE MOUNTING OF TURBINE – ELECTRICAL CONNECTIONS OF OPTIONAL THERAPIES</b> .....	<b>PAGE 18</b>
<b>8</b>	<b>REMOTE MOUNTING OF OPTIONAL THERAPIES (TUB ONLY) – ELECTRICAL CONNECTIONS</b> .....	<b>PAGE 19</b>
	<b>ELECTRICAL DIAGRAMS</b> .....	<b>PAGES 20 &amp; 21</b>