

NAOS 6636

66" x 36" x 25" (FREESTANDING)

The name Balneo evokes the art of bathing. For BainUltra, a bath is an important ritual, part of a lifestyle that encourages you to slow down and take time for yourself.



With rolled deck

PRODUCT NO.

MODEL	TMU	TUB
Flat deck	BBNLOFN0T-XX	BBNLOFN0N-XX
Rolled deck	BBNLOFP0T-XX	BBNLOFP0N-XX

THERMOMASSEUR (TMU) Hydro-thermo massage • Air jet system	\$11,240
Jets	38
1 heated backrest	Included
MiaPlus® Control*	Included
BU-Touch Control Application	Included
Geysair®	Included
AromaCloud®*** BAROMAC	\$490
Illuzio Chromatherapy BCHRO6	\$925
2 nd heated backrest (WTS-1 zone) BSHB	\$1,125

TUB Soaker	\$8,195
AromaCloud®*** BAROMAC	\$490
Illuzio Chromatherapy BCHRO6	\$925
WarmTouchShell® BWTS	\$1,125
DOT control	Included with therapy
2 nd WarmTouchShell® BWTS2	\$370

FEATURES

Installation type	Freestanding		
No. of bathers		Imp. gallons	40
US gallons	48		
STANDARD COLOR			
		Included	
White 01	Biscuit 02		

OPTIONS (UPCHARGE APPLICABLE)

UNIVERSAL ARMRESTS BGBGU-XX	
White 01	\$750
FOR AIR SUPPLY ONLY	
Decorative pipe (1 1/2" x 6")	\$55
Decorative pipe (1 1/2" x 24")	\$200
Pipe concealer (3" x 5 1/4")	\$105
Elbow (45°)	\$80
Elbow (90°)	\$105
WASTE & OVERFLOW D13 (exposed) BOVERD13-XX	
Chrome 07	\$490
Brushed Nickel 09, Polished Nickel 10, Oil-rubbed Bronze 11 Unplated 00	\$500



Don't forget to indicate **flat or rolled deck**.

* For TMU, control must be wall-mounted. Faucets must be freestanding or wall-mounted.

** The AromaCloud® is built into the deck (factory installed).

FOR THE INSTALLER

SCAN
TO VIEW
INSTALLATION
VIDEO (3:20 MIN)





NAOS 6636 (FREESTANDING)



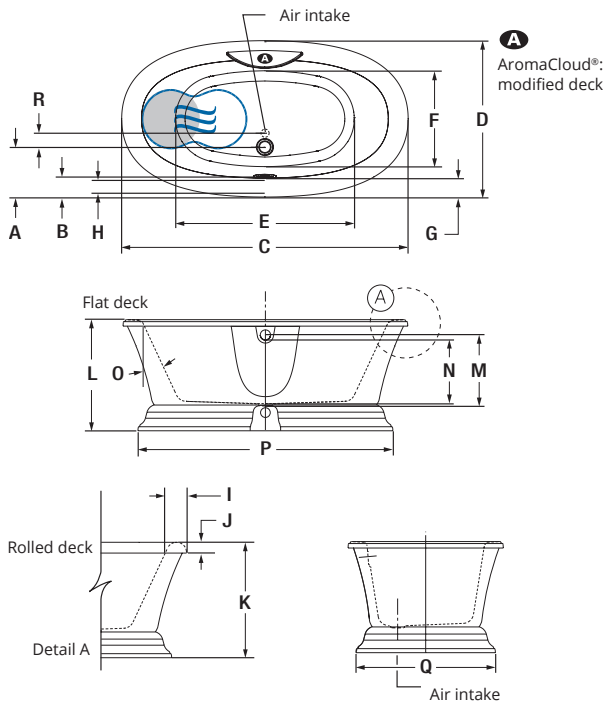
Flat deck



Rolled deck

INSTALLATION

Available with flat or rolled deck.



LETTER	DESCRIPTION	MEASURE
A	Outside edge to center drain	11 1/2"
B	Outside edge to overflow	4 5/8"
C	Total length	66"
D	Total width	36"
E	Bathing well length	42 3/8"
F	Bathing well width	22 1/4"
G	Deck width	4 1/4"
H	Flat surface width	3"
I	Rolled deck width	4 3/4"
J	Height from bottom of lip to top deck	2 1/2"
K	Height from bottom of bath to top deck	26 3/4"
L	Height from bottom of bath to top deck	25 3/4"
M	Height from bottom of drain to center of overflow	16 5/8"
N	Maximum water level	14 7/8"
O	Slope of backrests	25°
P	Base length	59 1/8"
Q	Base width	32 1/4"
R	Center drain to center air intake	3 1/4"

- A AromaCloud® position
- Indicates heated backrest (TMU)
- Indicates WarmTouchShell® position (TUB)

TECHNICAL SPECIFICATIONS

Hot water supply required	The hot water supply should be 70% or more of the bath's total water capacity.
Turbine	Access to the pump must be at least 18" x 22". Standard connection is 20 A, 120 V, 60 Hz , dedicated line with a Ground-Fault Circuit Interrupter (GFCI). For any additional option, a second line is needed 15 A, 120 V, 60 Hz , dedicated line with a GFCI. Air vent necessary: 2" x 4" minimum.
Others	<ul style="list-style-type: none"> - The Geysair® is located on the same side as the heated backrest. It must NOT be relocated. It must be connected to the hot water supply and be accessible (provide access). - There is a height difference for the rolled deck (see drawing Detail A). - Faucets must be freestanding or wall-mounted. - The turbine must be remotely installed. - TMU: Control must be wall-mounted. - TUB: Dot controls are located on either sides of the AromaCloud® (see page 9, position of DOT control).

Cutting template	# 90000055
Approx. shipping weight	265 lb
Turbine power	550 W
Air heater	600 W

WARRANTY	
Controls-LED-Geysair*	5 years
Bath & turbine*	20 years

* Some restrictions apply | www.bainultra.com/warranty

Our products must be installed by certified professionals only and according to our Owner's Manual as well as federal, provincial/state and local building codes and regulations (www.bainultra.com/dealers/dealer-documentation-and-catalog).

The specifications shown indicate the outer edge dimension and the inside bathing capacity dimension measured at air jets' height. The manufacturer accepts a 1/4" [0.64 cm] variance. There are variations on each product and specifications are subject to change as we improve upon our product as required. The dimensions needed for site preparation and structure building will differ. BainUltra® assumes no responsibility for preparatory work done prior to the product being on site.