

NEW

# CELESTIA 6233

62" x 33" x 24" (FREESTANDING)

*Celestia™ is feminine, ethereal and strong. As a beautiful work of art in a museum, Celestia is the center piece of any bathroom, a jewel that captures attention and pleases the eye.*



## PRODUCT NO.

MODEL	TUB
Freestanding	BCE50F00F

TUB Soaker



\$

## FEATURES

Installation type		Freestanding	
No. of bathers	2	Imp. gallons	47
US gallons	57	Armrests	2

## INTEGRATED WASTE & OVERFLOW BOVERINI-XX

White 01, Chrome 07, Brushed Nickel 09, Polished Nickel 10	Installed & Included
--	----------------------

## STANDARD COLOR

 White 01	Included
--	----------

## FINISH

Satin Finish	Included
--------------	----------

## OPTIONS (UPCHARGE APPLICABLE)

### INTEGRATED WASTE & OVERFLOW BOVERINI-XX

Matte Black 19, Satin Brass 18	\$
--------------------------------	----

### ISLAND TUB DRAIN™\*

Island Tub Drain™ BSLDD	\$
-------------------------	----

Cast Iron Island Tub Drain™ BSLDDCI	\$
-------------------------------------	----

### IF REQUIRED BY CONSTRUCTION CODE OR INSTALLED WITH ITD\*

Brass waste kit BDRCB	\$
-----------------------	----



\* An Island Tub Drain™ and the Brass waste kit are required when there is **no access under the bath**.

**TOTAL PRICE** \$



Made with FineStone™

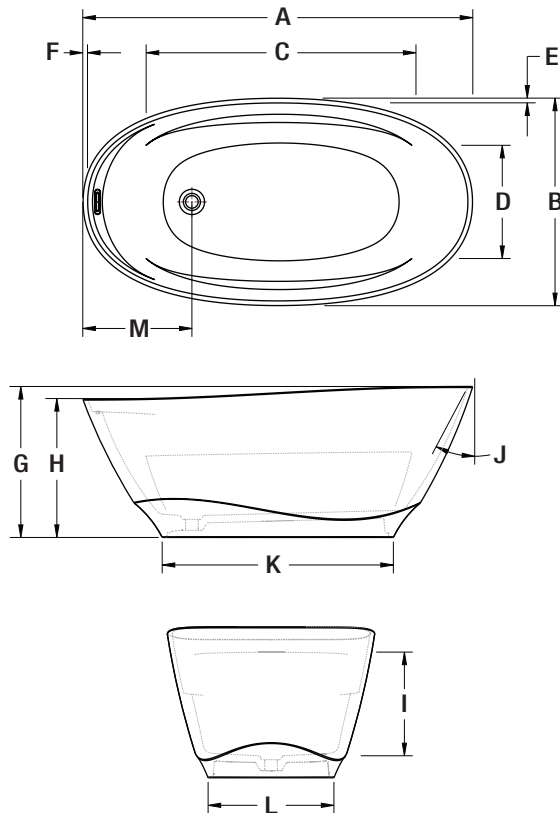
FineStone™ is a high quality solid surface material composed of refined minerals and pure acrylic. Designed with care, this material is non porous, hygienic, and thermal insulant. Its satin finish is easy to clean and will maintain its properties through time.



**CELESTIA 6233 (FREESTANDING)**



**INSTALLATION**



LETTER	DESCRIPTION	MEASURE
A	Total length	62"
B	Total width	33"
C	Bathing well length	42 7/8"
D	Bathing well width	22 3/16"
E	Deck width	3/4"
F	Deck width	3/4"
G	Total maximal height	24"
H	Total minimal height	22"
I	Maximum water level	16 1/2"
J	Slope of backrest	28°
K	Base length	36 3/4"
L	Base width	20"
M	Outer edge to center of drain	17 5/16"

**TECHNICAL SPECIFICATIONS**

**Other** Faucet must be freestanding or wall-mounted.

Our products must be installed by certified professionals only and according to our Installation Instructions as well as federal, provincial/state and local building codes and regulations ([www.bainultra.com/documentation/documentation](http://www.bainultra.com/documentation/documentation)).

**Cutting template** # 90000084

**Approx. shipping weight** 300 lbs

**WARRANTY**

Bath 20 years

\* Some restrictions apply | [www.bainultra.com/warranty](http://www.bainultra.com/warranty)



The specifications shown indicate the outer edge dimension and the inside bathing capacity. The manufacturer accepts a 1/4" [0.64 cm] variance. There are variations on each product and specifications are subject to change as we improve upon our product as required. The dimensions needed for site preparation and structure building will differ. BainUltra® assumes no responsibility for preparatory work done prior to the product being on site.