

CITTI 6032 TRIO WITH INSERT

60" x 32" x 20"

Citti® is derived from sanskrit for "free spirit." At the same time, the name evokes today's great cities: these are the perfect baths for urban living.



PRODUCT NO.

MODEL	TMU	TUB
Left	BCTDRAJLT-XX	BCTDRAJLN-XX
Right	BCTDRAJRT-XX	BCTDRAJRN-XX
Slim deck - Left	BCTDRAKLT-XX	BCTDRAKLN-XX
Slim deck - Right	BCTDRAKRT-XX	BCTDRAKRN-XX

THERMOMASSEUR (TMU) Hydro-thermo massage • Air jet system	\$
Jets	42
1 heated backrest	Included
Mia® Control	Included
BU-Touch Control Application BUTOUCH	\$
Geysair®	Included
AromaCloud® BAROMAC	\$
Illuzio Chromatherapy BCHRO6	\$


TUB Soaker	\$
AromaCloud® BAROMAC	\$
Illuzio Chromatherapy BCHRO6	\$
WarmTouchShell® BWTS	\$
DOT control	Included with therapy

FEATURES

Installation type	Alcove (3 walls)		
No. of bathers	2	Integrated tile flange	Included
US gallons	50	Imp. gallons	42
INTEGRATED WASTE & OVERFLOW BOVERINI-XX			
White 01 , Biscuit 02 , Chrome 07 , Brushed Nickel 09 , Polished Nickel 10	Installed & Included		
STANDARD COLOR			
 White 01  Biscuit 02	Included		

OPTIONS (UPCHARGE APPLICABLE)

FINISH	
UltraVelour Matte Finish (White only) BVEL	\$
INTEGRATED WASTE & OVERFLOW BOVERINI-XX	
Matte Black 19 , Satin Brass 18	\$
SKIRT MULTIFIT (standard 1 1/2" deck only) BSMUL-XX	
White 01 , Biscuit 02	\$
CONTROL (TMU only)	
MiaPlus** BMIAP2-XX	\$

 Turbine must be remotely installed in certain conditions. With the AromaCloud® and/or Control on the deck, a complete shower door cannot be installed. Faucets must be wall-mounted. Don't forget to specify the **finish of the integrated waste & overflow**. * The MiaPlus® Control is included when purchasing Chromatherapy on a TMU.

TOTAL PRICE	\$
--------------------	----

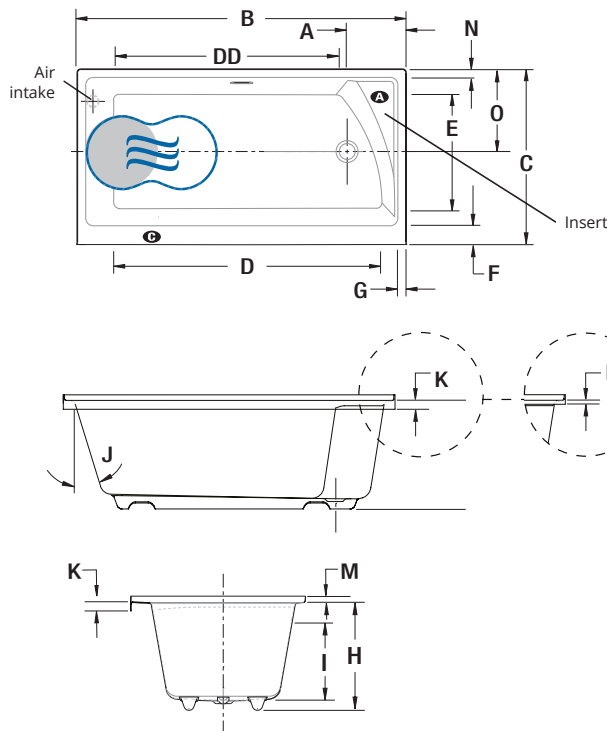


CITTI 6032 TRIO WITH INSERT



The insert can be positioned on either the right or left side of the bath to hold the AromaCloud® or soap and shampoo.

INSTALLATION



LETTER	DESCRIPTION	MEASURE
A	Outside edge to center drain	10 7/8"
B	Total length	60"
C	Total width	32"
D	Bathing well length	49 1/4"
DD	Bathing well length - insert side	42 5/8"
E	Bathing well width	21 1/8"
F	Deck width (Skirt side)	3 3/4"
G	Deck width at drain end	2 1/8"
H	Height from bottom of bath to top deck	20"
I	Height from drain to center of overflow	14 1/2"
J	Slope of backrest	17°
K	Height from bottom of deck to top standard deck	1 1/2"
L	Height from bottom of deck to top slim deck	1/2"
M	Tile flange height	1"
N	Deck width overflow side	2 1/8"
O	Outside edge to center drain	15 1/8"

- A** AromaCloud® position
- C** Control position when factory-installed (Mia® or DOT)
- Indicates heated backrest (TMU)
- ☞ Indicates WarmTouchShell® position (TUB)

TECHNICAL SPECIFICATIONS

Hot water supply required	Should be 70% of water capacity of TUB or greater.
Turbine	Access to the pump must be at least 18" x 22". Standard connection is 20 A, 120 V, 60 hz , dedicated line with a Ground-Fault Circuit Interrupter (GFCI). For any additional option, a second line is needed 15 A, 120 V, 60 hz , dedicated line with a GFCI. Air vent necessary: 2" x 4" minimum.
Others	<ul style="list-style-type: none"> - The GEYSAIR must always be accessible and connected to the hot water supply (provide access). - The turbine must be remotely installed. - Citti bathtubs include an integrated tile flange, specify right or left. - Insert can be installed on right or left side.

Our products must be installed by certified professionals only and according to our Owner's Manual as well as federal, provincial/state and local building codes and regulations (www.bainultra.com/documentation/documentation).

Approx. shipping weight	125 lbs
Turbine power	550 W
Air heater	600 W
WARRANTY	
Controls-LED-Geysair*	5 years
Bath & turbine*	20 years

* Some restrictions apply | www.bainultra.com/warranty



The specifications shown indicate the outer edge dimension and the inside bathing capacity dimension measured at air jets' height. The manufacturer accepts a 1/4" [0.64 cm] variance. There are variations on each product and specifications are subject to change as we improve upon our product as required. The dimensions needed for site preparation and structure building will differ. BainUltra® assumes no responsibility for preparatory work done prior to the product being on site.