

CITTI 6032 TRIO WITHOUT INSERT

60" x 32" x 20"

Citti® is derived from sanskrit for "free spirit." At the same time, the name evokes today's great cities: these are the perfect baths for urban living.



Std 1 1/2" deck with optional Multifit skirt

PRODUCT NO.

MODEL	TMU	TUB
Std 1 1/2" deck - Left	BCTDRA0LT-XX	BCTDRA0LN-XX
Std 1 1/2" deck - Right	BCTDRA0RT-XX	BCTDRA0RN-XX
Slim deck - Left	BCTDRA1LT-XX	BCTDRA1LN-XX
Slim deck - Right	BCTDRA1RT-XX	BCTDRA1RN-XX
Front Overflow - Std 1 1/2" deck - Left	BC2DRA0LT-XX	BC2DRA0LN-XX
Front Overflow - Std 1 1/2" deck - Right	BC2DRA0RT-XX	BC2DRA0RN-XX
Front Overflow - Slim deck Left	BC2DRA1LT-XX	BC2DRA1LN-XX
Front Overflow - Slim deck Right	BC2DRA1RT-XX	BC2DRA1RN-XX

THERMOMASSEUR (TMU)		\$
Hydro-thermo massage • Air jet system		
Jets		44
1 heated backrest		Included
Mia® Control		Included
BU-Touch Control Application BUTOUCH		\$
Geysair®		Included
AromaCloud® BAROMAC		\$
Illuzio Chromatherapy BCHRO6		\$

TUB		\$
Soaker		
AromaCloud® BAROMAC		\$
Illuzio Chromatherapy BCHRO6		\$
WarmTouchShell® BWTS		\$
DOT control		Included with therapy


FEATURES

Installation type	Alcove (3 walls)		
No. of bathers		US gallons	53
Integrated tile flange (specify right or left)	Included	Imp. gallons	44

INTEGRATED WASTE & OVERFLOW **BOVERINI-XX**

White **01**, Biscuit **02**, Chrome **07**, Brushed Nickel **09**, Polished Nickel **10**, Matte White with UltraVelour finish **32** Inst. & Incl.

STANDARD COLOR

		Included
White 01	Biscuit 02	

OPTIONS (UPCHARGE APPLICABLE)

FINISH

UltraVelour Matte Finish (white only) **BVEL1** \$

CONTROL (TMU only)

MiaPlus®** **BMIAP2-XX** \$

UNIVERSAL ARMRESTS **BGBGU-XX NEW**

White **01** \$

SKIRT MULTIFIT (standard 1 1/2" deck only) **BSMUL-XX**

White **01**, Biscuit **02** \$

INTEGRATED WASTE & OVERFLOW **BOVERINI-XX**

Matte Black **19**, Satin Brass **18** \$

WASTE & OVERFLOW 16" x 35"*** **BOVER16-XX**

Chrome **07** \$

White **01**, Biscuit **02** \$


Brushed Nickel **09**, Polished Nickel **10**, Oil-rubbed Bronze **11** \$

IF REQUIRED BY CONSTRUCTION CODE

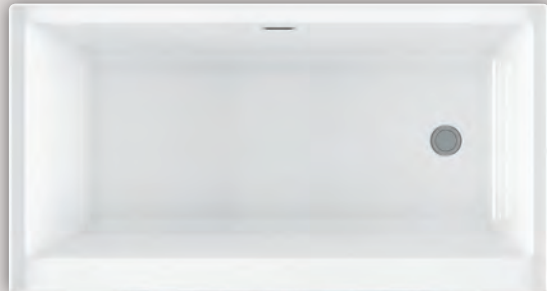
Brass waste & overflow kit **BDRCOB** \$

Brass waste kit **BDRCB** \$

16" x 35" Cable driven brass waste & overflow kit* **BOVERBR** \$

 Turbine must be remotely installed. With the AromaCloud® and/or Control on the deck, a complete shower door cannot be installed. Faucets must be wall-mounted. Don't forget to specify the **finish of the integrated waste & overflow**. * Only for models with front overflow. ** The MiaPlus® Control is included when purchasing Chromatherapy on a TMU.

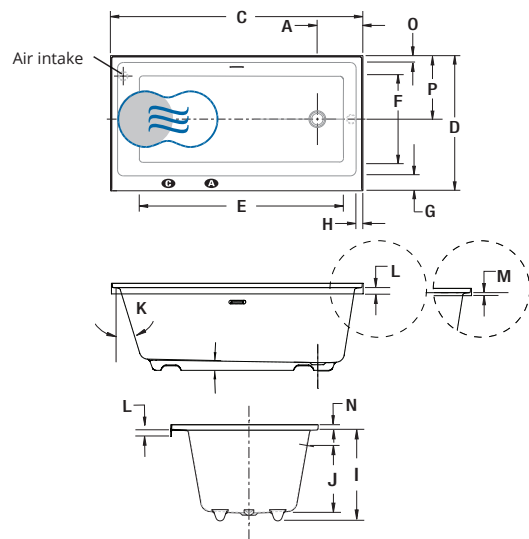
TOTAL PRICE \$



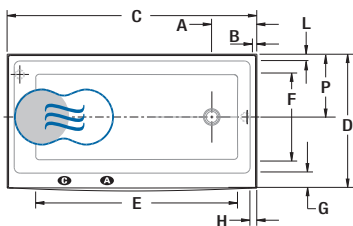
CITTI 6032 TRIO WITHOUT INSERT



INSTALLATION

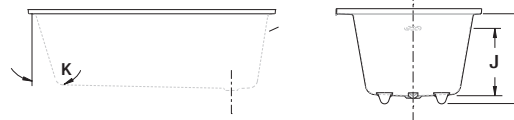


Citti 6032 TRIO Front Overflow without insert



LETTER	DESCRIPTION	MEASURE
A	Outside edge to center drain (integrated waste & overflow)	10 7/8"
B	Outside edge to center of drain hole Waste & overflow 16" x 35" Front Overflow only	1 3/8"
C	Total length	60"
D	Total width	32"
E	Bathing well length	49 1/4"
F	Bathing well width	21 1/8"
G	Deck width (skirt side)	3 3/4"
H	Deck width at drain end	2 1/8"
I	Height from bottom of bath to top deck	20"
J	Height from drain to center of overflow	14 1/2"
K	Slope of backrest	17°
L	Height from bottom of deck to top standard deck	1 1/2"
M	Height from bottom of deck to top slim deck	1/2"
N	Tile flange height	1"
O	Deck width overflow side	2 1/8"
P	Outside edge to center drain	15 1/8"

- A** AromaCloud® position
- B** Control position when factory-installed (Mia® or DOT)
- Indicates heated backrest (TMU)
- ☁ Indicates WarmTouchShell® position (TUB)



TECHNICAL SPECIFICATIONS

Hot water supply required	The hot water supply should be 70% or more of the bath's total water capacity.
Turbine	Access to the pump must be at least 18" x 22". Standard connection is 20 A, 120 V, 60 hz , dedicated line with a Ground-Fault Circuit Interrupter (GFCI). For any additional option, a second line is needed 15 A, 120 V, 60 hz , dedicated line with a GFCI. Air vent necessary: 2" x 4" minimum.
Others	<ul style="list-style-type: none"> - The Geysair is located on the same side as the heated backrest. It must NOT be relocated. It must be connected to the hot water supply and be accessible (provide access). - The turbine must be remotely installed. - Citti bathtubs include an integrated tile flange, specify right or left.

Our products must be installed by certified professionals only and according to our Owner's Manual as well as federal, provincial/state and local building codes and regulations (www.bainultra.com/documentation/documentation).

The specifications shown indicate the outer edge dimension and the inside bathing capacity dimension measured at air jets' height. The manufacturer accepts a 1/4" [0.64 cm] variance. There are variations on each product and specifications are subject to change as we improve upon our product as required. The dimensions needed for site preparation and structure building will differ. BainUltra® assumes no responsibility for preparatory work done prior to the product being on site.

Approx. shipping weight	125 lbs
Turbine power	550 W
Air heater	600 W
WARRANTY	
Controls-LED-Geysair*	5 years
Bath & turbine*	20 years

*Some restrictions apply | www.bainultra.com/warranty