

# CITTI 6032 WITHOUT INSERT

60" x 32" x 20"

Citti® is derived from sanskrit for "free spirit." At the same time, the name evokes today's great cities: these are the perfect baths for urban living.



## PRODUCT NO.

MODEL	TMU	TUB
Left	BCIDRA0LT-XX	BCIDRA0LN-XX
Right	BCIDRA0RT-XX	BCIDRA0RN-XX
Front Overflow - Left	BC3DRA0LT-XX	BC3DRA0LN-XX
Front Overflow - Right	BC3DRA0RT-XX	BC3DRA0RN-XX

THERMOMASSEUR (TMU) Hydro-thermo massage • Air jet system	\$
Jets	44
1 heated backrest	Included
Mia® Control	Included
BU-Touch Control Application BUTOUCH	\$
Geysair®	Included
AromaCloud® BAROMAC	\$
Illuzio Chromatherapy BCHRO6	\$

TUB Soaker	\$
AromaCloud® BAROMAC	\$
Illuzio Chromatherapy BCHRO6	\$
WarmTouchShell® BWTS	\$
DOT control	Included with therapy

## FEATURES

Installation type	Alcove (3 walls)		
Integrated skirt & tile flange (specify right or left)	Installed & Included		
No. of bathers		Imp. gallons	44
US gallons	53		

## INTEGRATED WASTE & OVERFLOW BOVERINI-XX

White 01, Biscuit 02, Chrome 07, Brushed Nickel 09, Polished Nickel 10, Matte White with UltraVelour finish 32	Included & Included
--	---------------------

## STANDARD COLOR

White 01  Biscuit 02	Included
----------------------	----------

## OPTIONS (UPCHARGE APPLICABLE)

### FINISH

UltraVelour Matte Finish (white only) BVEL1	\$
---	----

### CONTROL (TMU only)

MiaPlus®** BMIAP2-XX	\$
----------------------	----

### UNIVERSAL ARMRESTS BGBGU-XX NEW

White 01	\$
----------	----

### INTEGRATED WASTE & OVERFLOW BOVERINI-XX

Matte Black 19, Satin Brass 18	\$
--------------------------------	----

### WASTE & OVERFLOW 16" X 35"\*\*\* BOVER16-XX

Chrome 07	\$
White 01, Biscuit 02	\$
Brushed Nickel 09, Polished Nickel 10, Oil-rubbed Bronze 11	\$

### IF REQUIRED BY CONSTRUCTION CODE

Brass waste & overflow kit BDRCOB	\$
Brass waste kit BDRCB	\$
16" x 35" Cable driven brass waste & overflow kit* BOVERBR	\$

Turbine must be remotely installed. With the AromaCloud® and/or Control on the deck, a complete shower door cannot be installed. Faucets must be wall-mounted.

Don't forget to specify the **finish of the integrated waste & overflow**.  
\* Only for models with front overflow.

\*\* The MiaPlus® Control is included when purchasing Chromatherapy on a TMU.

<b>TOTAL PRICE</b>	<b>\$</b>
--------------------	-----------

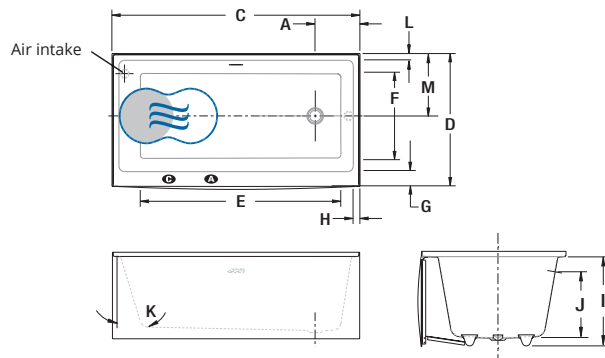


**CITTI 6032** WITHOUT INSERT

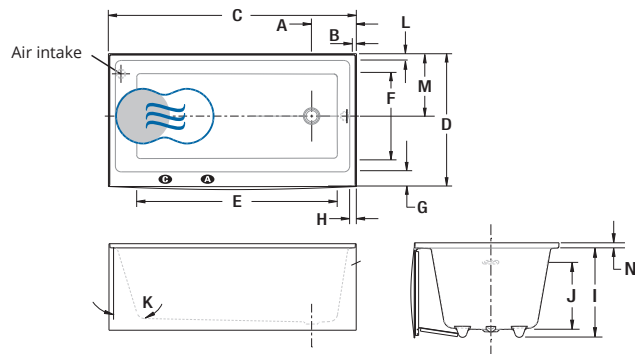


Front overflow

**INSTALLATION**



**Citti 6032 Front Overflow without insert**



LETTER	DESCRIPTION	MEASURE
A	Outside edge to center drain (integrated waste & overflow)	10 7/8"
B	Outside edge to center of drain hole Waste & overflow 16" x 35" Front Overflow only	1 3/8"
C	Total length	60"
D	Total width	32"
E	Bathing well length	49 1/4"
F	Bathing well width	21 1/8"
G	Deck width (skirt side)	3 3/4"
H	Deck width at drain end	2 1/8"
I	Height from bottom of bath to top deck	20"
J	Height from drain to center of overflow	14 1/2"
K	Slope of backrest	17°
L	Deck width overflow side	2 1/8"
M	Outside edge to center drain	15 1/8"
N	Tile flange height	1"

- A** AromaCloud® position
- C** Control position when factory-installed (Mia® or DOT)
- Indicates heated backrest (TMU)
- ☁ Indicates WarmTouchShell® position (TUB)

**TECHNICAL SPECIFICATIONS**

<b>Hot water supply required</b>	The hot water supply should be 70% or more of the bath's total water capacity.
<b>Turbine</b>	Access to the pump must be at least 18" x 22". <b>Standard connection is 20 A, 120 V, 60 hz</b> , dedicated line with a Ground-Fault Circuit Interrupter (GFCI). <b>For any additional option, a second line is needed 15 A, 120 V, 60 hz</b> , dedicated line with a GFCI. Air vent necessary: 2" x 4" minimum.
<b>Others</b>	<ul style="list-style-type: none"> <li>- The Geysair is located on the same side as the heated backrest. It must <b>NOT be relocated</b>. It must be <b>connected to the hot water supply</b> and be accessible (provide access).</li> <li>- The turbine must be <b>remotely installed</b>.</li> <li>- Citti bathtubs include an integrated tile flange, specify right or left.</li> </ul>

Our products must be installed by certified professionals only and according to our Owner's Manual as well as federal, provincial/state and local building codes and regulations ([www.bainultra.com/documentation/documentation](http://www.bainultra.com/documentation/documentation)).

The specifications shown indicate the outer edge dimension and the inside bathing capacity dimension measured at air jets' height. The manufacturer accepts a 1/4" [0.64 cm] variance. There are variations on each product and specifications are subject to change as we improve upon our product as required. The dimensions needed for site preparation and structure building will differ. BainUltra® assumes no responsibility for preparatory work done prior to the product being on site.

<b>Approx. shipping weight</b>	125 lbs
<b>Turbine power</b>	550 W
<b>Air heater</b>	600 W
<b>WARRANTY</b>	
Controls-LED-Geysair*	5 years
Bath & turbine*	20 years

\*Some restrictions apply | [www.bainultra.com/warranty](http://www.bainultra.com/warranty)