

ESSENCIA DESIGN 7438

74" x 38" x 20"

Essencia evokes essence—the elemental aspects of the inner being.



PRODUCT NO.

MODEL	TMU	TUB
	BESSOU00T-XX	BESSOU00N-XX

THERMOMASSEUR (TMU) Hydro-thermo massage • Air jet system	\$
Jets	37
1 heated backrest	Included
MiaPlus® Control*	Included
BU-Touch Control Application	Included
Geysair®	Included
Illuzio Chromatherapy BCHRO6	\$

TUB Soaker	\$
Illuzio Chromatherapy BCHRO6	\$
WarmTouchShell® BWTS	\$
DOT control	Included with therapy

FEATURES

Installation type	Drop-In & Undermount		
No. of bathers	2	Imp. gallons	46
US gallons	55		

INTEGRATED WASTE & OVERFLOW [BOVERINI-XX](#)

White 01 , Biscuit 02 , Chrome 07 , Brushed Nickel 09 , Polished Nickel 10	Installed & Included
---	----------------------

STANDARD COLOR

 White 01  Biscuit 02	Included
---	----------

OPTIONS (UPCHARGE APPLICABLE)

FINISH

UltraVelour Matte Finish (White only) BVEL	\$
--	----

INTEGRATED WASTE & OVERFLOW [BOVERINI-XX](#)

Matte Black 19 , Satin Brass 18	\$
---	----

IF REQUIRED BY CONSTRUCTION CODE

Brass waste & overflow kit BDRCOB	\$
---	----

Brass waste kit BDRCB	\$
---------------------------------------	----



* For TMU, control must be wall mounted. Faucets cannot be installed on the deck of the bath.

TOTAL PRICE \$

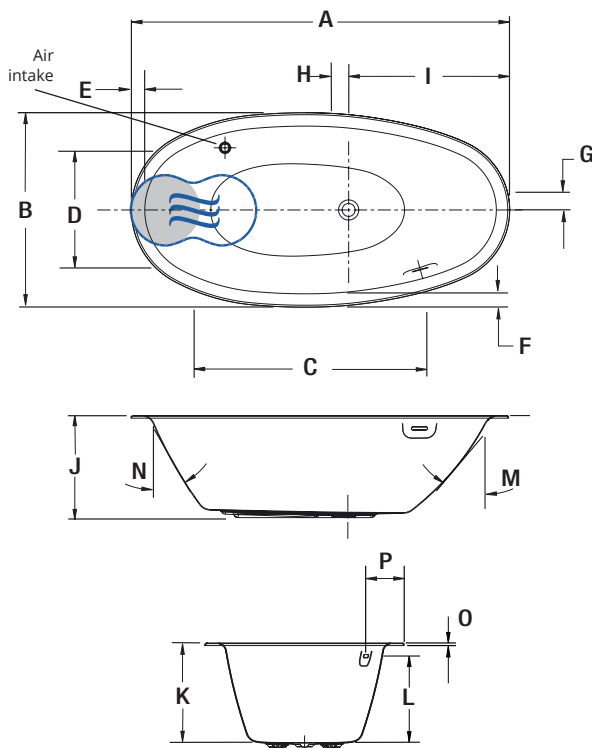


ESSENCIA DESIGN 7438



Illuzio Chromatherapy

INSTALLATION



LETTER	DESCRIPTION	MEASURE
A	Total length	74"
B	Total width	38"
C	Bathing well length (at jets height)	44 7/8"
D	Bathing well width (at jets height)	22 5/8"
E	Deck width (backrest)	2 5/8"
F	Deck width (side)	2 5/8"
G	Center drain to center air intake (long axis)	3 1/2"
H	Center drain to center air intake (trans axis)	3 1/2"
I	Center drain to deck edge	31 1/2"
J	Bath height	20"
K	Height from drain to top of deck	19 1/4"
L	Height from drain to center of overflow	16 3/4"
M	Slope	40°
N	Slope of backrest	29°
O	Deck height (slim deck)	1/2"
P	Deck to overflow	7 3/8"

- Indicates heated backrest (TMU)
- ☉ Indicates WarmTouchShell® position (TUB)

TECHNICAL SPECIFICATIONS

Hot water supply required	Should be 70% of water capacity of TUB or greater.
Turbine	Access to the pump must be at least 18" x 22". Standard connection is 20 A, 120 V, 60 hz , dedicated line with a Ground-Fault Circuit Interrupter (GFCI). For any additional option, a second line is needed 15 A, 120 V, 60 hz , dedicated line with a GFCI. Air vent necessary: 2" x 4" minimum.
Others	<ul style="list-style-type: none"> - The GEYSAIR must always be accessible and connected to the hot water supply (provide access). - Faucets cannot be installed on the deck of the bath. - The turbine must be remotely installed. - TMU: Control must be wall-mounted.

Our products must be installed by certified professionals only and according to our Owner's Manual as well as federal, provincial/state and local building codes and regulations (www.bainultra.com/documentation/documentation).

Cutting template	# 90000071
Approx. shipping weight	132 lbs
Turbine power	550 W
Air heater	600 W
WARRANTY	
Controls-LED-Geysair*	5 years
Bath & turbine*	20 years

* Some restrictions apply | www.bainultra.com/warranty



The specifications shown indicate the outer edge dimension and the inside bathing capacity dimension measured at air jets' height. The manufacturer accepts a 1/4" [0.64 cm] variance. There are variations on each product and specifications are subject to change as we improve upon our product as required. The dimensions needed for site preparation and structure building will differ. BainUltra® assumes no responsibility for preparatory work done prior to the product being on site.