

ESTHESIA 6638

66" x 38" x 21"

Esthesia, the new expression of beauty in the world of therapeutic baths. Neoclassically inspired Esthesia baths boast clean, purely geometric designs.



Slim deck 1/2"

PRODUCT NO.

MODEL	TMU	TUB
Standard 2" deck	BEAMRD00T-XX	BEAMRD00N-XX
Slim deck 1/2"	BEAMRD10T-XX	BEAMRD10N-XX

THERMOMASSEUR (TMU) Hydro-thermo massage • Air jet system	\$
Jets	38
1 heated backrest	Included
MiaPlus® Control	Included
BU-Touch Control Application BUTOUCH	\$
Geysair®	Included
AromaCloud® BAROMAC	\$
Illuzio Chromatherapy BCHRO6	\$
2 nd heated backrest (WTS-1 zone) BSHB	\$

TUB Soaker	\$
AromaCloud® BAROMAC	\$
Illuzio Chromatherapy BCHRO6	\$
WarmTouchShell® BWTS	\$
DOT control	Included with therapy
2 nd WarmTouchShell® BWTS2	\$

FEATURES

Installation type	Undermount* (2" deck) & Drop-In (2" and 1/2" deck)		
No. of bathers		Imp. gallons	49
US gallons	59		

INTEGRATED WASTE & OVERFLOW **BOVERINI-XX**

White 01 , Biscuit 02 , Chrome 07 , Brushed Nickel 09 , Polished Nickel 10	Installed & Included
---	----------------------

STANDARD COLOR

White 01 Biscuit 02	Included
-----------------------------------	----------

OPTIONS (UPCHARGE APPLICABLE)

FINISH

UltraVelour Matte Finish (White only) BVEL	\$
---	----

INTEGRATED WASTE & OVERFLOW **BOVERINI-XX**

Matte Black 19 , Satin Brass 18	\$
---	----

IF REQUIRED BY CONSTRUCTION CODE

Brass waste & overflow kit BDRCOB	\$
Brass waste kit BDRCB	\$



Don't forget to specify the **finish of the integrated waste & overflow**. Don't forget to specify the deck height. Slim deck (1/2") is available for Drop-In only.

* The AromaCloud® is not available with Undermount installation.

TOTAL PRICE	\$
--------------------	----

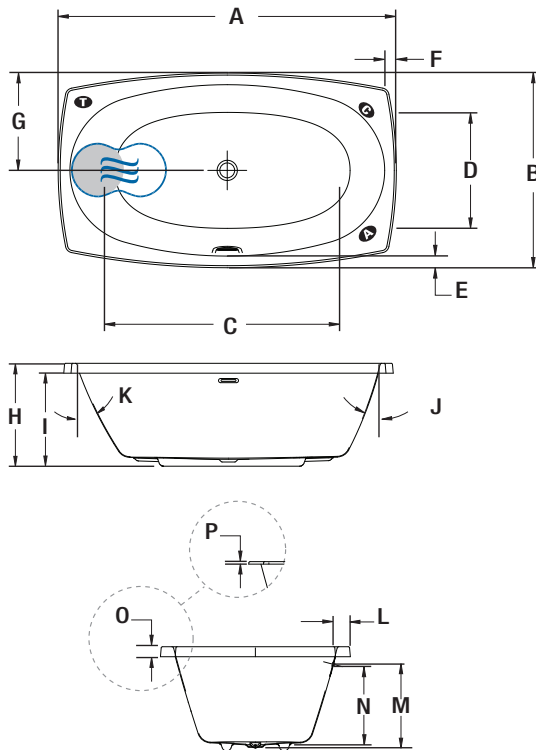


ESTHESIA 6638



Standard deck 2"

INSTALLATION



LETTER	DESCRIPTION	MEASURE
A	Total length	66"
B	Total width	38"
C	Bathing well length	47 3/8"
D	Bathing well width	23"
E	Deck width (narrowest point)	2 5/8"
F	Deck width at 2 nd backrest	2 5/8"
G	Deck to drain center	19"
H	Total height	21"
I	Height from bottom of bath to bottom of deck	19"
J	Slope of 2 nd backrest	21°
K	Slope of backrest	26°
L	Deck to edge of overflow	3 1/2"
M	Height from drain to center of overflow	16 5/8"
N	Maximum water level	15 7/8"
O	Height from bottom to top of deck	2"
P	Height from bottom to top of slim deck	1/2"

- A** AromaCloud® position
- C** Control position when factory-installed (Mia® or DOT)
- T** Turbine position (TMU)
- Indicates heated backrest (TMU)
- ☄ Indicates WarmTouchShell® position (TUB)

TECHNICAL SPECIFICATIONS

Hot water supply required	Should be 70% of water capacity of TUB or greater.
Turbine	Access to the pump must be at least 18" x 22". Standard connection is 20 A, 120 V, 60 Hz , dedicated line with a Ground-Fault Circuit Interrupter (GFCI). For any additional option, a second line is needed 15 A, 120 V, 60 Hz , dedicated line with a GFCI. Air vent necessary: 2" x 4" minimum.
Other	The GEYSAIR must always be accessible and connected to the hot water supply (provide access).

Our products must be installed by certified professionals only and according to our Owner's Manual as well as federal, provincial/state and local building codes and regulations (www.bainultra.com/documentation/documentation).

Cutting template	# 90000066
Approx. shipping weight	120 lbs
Turbine power	550 W
Air heater	600 W

WARRANTY	
Controls-LED-Geysair*	5 years
Bath & turbine*	20 years

* Some restrictions apply | www.bainultra.com/warranty



The specifications shown indicate the outer edge dimension and the inside bathing capacity dimension measured at air jets' height. The manufacturer accepts a 1/4" [0.64 cm] variance. There are variations on each product and specifications are subject to change as we improve upon our product as required. The dimensions needed for site preparation and structure building will differ. BainUltra® assumes no responsibility for preparatory work done prior to the product being on site.