

# NOKORI 7131

71" x 31" x 24" (FREESTANDING)

Nokori's sleek and delicate lines inspire peace and calm-offering an authentic invitation to unwind.



## PRODUCT NO.

MODEL	TMU	TUB
Freestanding	BNOSRF00T-XX	BNOSRF00N-XX

THERMOMASSEUR (TMU)	
Hydro-thermo massage • Air jet system	\$
Jets	42
1 heated backrest	Included
MiaPlus® Control* (not installed)	Included
BU-Touch Control Application <b>BUTOUCH</b>	\$
Geysair®	Included
AromaCloud®	N/A
Illuzio Chromatherapy <b>BCHRO6</b>	\$
2 <sup>nd</sup> heated backrest (WTS-1 zone) <b>BSHB</b>	\$

TUB	
Soaker	\$
AromaCloud®	N/A
Illuzio Chromatherapy <b>BCHRO6</b>	\$
WarmTouchShell® <b>BWTS</b>	\$
DOT control (not installed)	Included with therapy
2 <sup>nd</sup> WarmTouchShell® <b>BWTS2</b>	\$

## FEATURES

Installation type	Freestanding		
No. of bathers	2	Imp. gallons	59
US gallons	71	Brass waste kit	Included

## INTEGRATED WASTE & OVERFLOW **BOVERINI-XX**

White <b>01</b> , Chrome <b>07</b> , Brushed Nickel <b>09</b> , Polished Nickel <b>10</b>	Installed & Included
---	----------------------

## STANDARD COLOR

 White <b>01</b>	Included
---	----------

## OPTIONS (UPCHARGE APPLICABLE)

### FINISH

UltraVelour Matte Finish (White only) <b>BVEL</b>	\$
---	----

### INTEGRATED WASTE & OVERFLOW **BOVERINI-XX**

Matte Black <b>19</b> , Satin Brass <b>18</b>	\$
---	----

### AIR INTAKE\*\* & ISLAND TUB DRAIN™\*\*\*

Air intake & Island Tub Drain™ <b>BAIRSLD</b>	\$
Island Tub Drain™ <b>BISLDD</b>	\$
Cast Iron Island Tub Drain™ <b>BISLDDCI</b>	\$
Air intake <b>BAIRINT</b>	\$
Air intake installation	\$ net

### TILE FLANGE (specify position)

Ordered with bath (not installed) <b>BTILEANOK</b>	\$
Factory-installed. Right <b>BTILER</b> , Left <b>BTILEL</b> , Front <b>BTILEF</b> , Back <b>BTILEB</b> , Special installation <b>BTILEO</b>	\$

### IF REQUIRED BY CONSTRUCTION CODE

Brass waste & overflow kit <b>BDRCOB</b>	\$
--	----



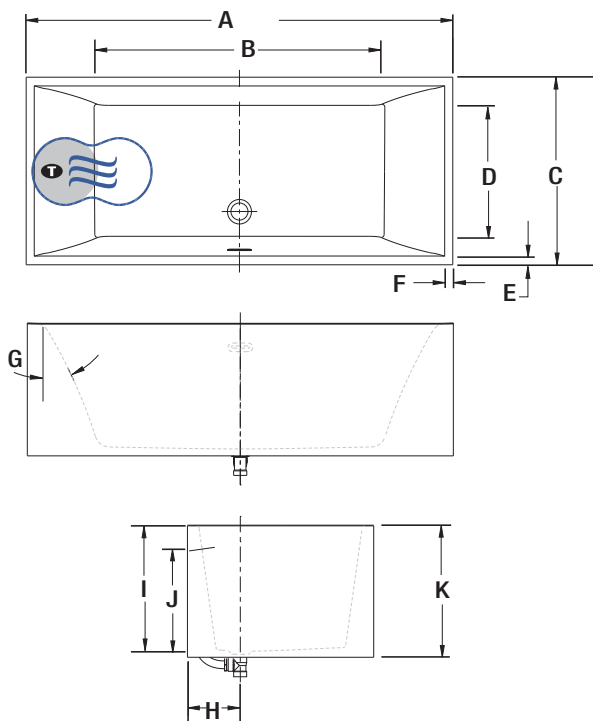
Don't forget that this model is available in **White only**.  
If turbine is installed under the bath, please follow the installation instructions specified in the **Nokori Installation Manual**.  
\* Control must be wall-mounted. Faucets must be freestanding or wall-mounted.  
\*\* Air Intake is required if turbine is installed under the bath.  
\*\*\* An Island Tub Drain™ is required when there is no access under the bath.

**TOTAL PRICE** \$



**NOKORI 7131 (FREESTANDING)**

**INSTALLATION**



LETTER	DESCRIPTION	MEASURE
A	Total length	70 1/2"
B	Bathing well length	48 1/8"
C	Total width	31"
D	Bathing well width	22"
E	Deck width	1 7/8"
F	Deck width at backrest ends	1 3/8"
G	Slope of backrests	24°
H	Outside edge to center of drain	8 3/4"
I	Height from drain to center of drain	21"
J	Maximum water level	17"
K	Total height	24"

- Turbine position (TMU)
- Indicates heated backrest (TMU)
- Indicates WarmTouchShell® position (TUB)

**TECHNICAL SPECIFICATIONS**

<b>Hot water supply required</b>	Should be 70% of water capacity of TUB or greater.
<b>Turbine</b>	Access to the pump must be at least 18" x 22". <b>Standard connection is 20 A, 120 V, 60 Hz</b> , dedicated line with a Ground-Fault Circuit Interrupter (GFCI). <b>For any additional option, a second line is needed 15 A, 120 V, 60 Hz</b> , dedicated line with a GFCI. Air vent necessary: 8 sq. in. minimum.
<b>Others</b>	<ul style="list-style-type: none"> <li>- The GEYSAIR must always be accessible and connected to the hot water supply (provide access).</li> <li>- Faucet must be freestanding or wall-mounted.</li> <li>- Controls cannot be installed on the bath.</li> <li>- The turbine should be <b>remotely installed</b>.</li> <li>- The turbine can also be installed under the bath. <b>Please refer to the Nokori Installation Instructions.</b></li> </ul>

<b>Approx. shipping weight</b>	280 lbs
<b>Turbine power</b>	550 W
<b>Air heater</b>	600 W
<b>WARRANTY</b>	
Controls-LED-Geysair*	5 years
Bath & turbine*	20 years

\* Some restrictions apply | [www.bainultra.com/warranty](http://www.bainultra.com/warranty)

Our products must be installed by certified professionals only and according to our Owner's Manual as well as federal, provincial/state and local building codes and regulations ([www.bainultra.com/documentation/documentation](http://www.bainultra.com/documentation/documentation)).



The specifications shown indicate the outer edge dimension and the inside bathing capacity dimension measured at air jets' height. The manufacturer accepts a 1/4" [0.64 cm] variance. There are variations on each product and specifications are subject to change as we improve upon our product as required. The dimensions needed for site preparation and structure building will differ. BainUltra® assumes no responsibility for preparatory work done prior to the product being on site.