

# OPALIA 6839 OFF-CENTERED ELLIPSE - LEFT

68" x 39" x 25" (FREESTANDING)

Presenting Opalia®, a collection of exquisitely crafted therapeutic baths with the bold, pure lines of a fascinating opal. Like so many magnificent jewels, Opalia oval baths play on elliptical perfection, with original deck designs that intrigue and delight.



## PRODUCT NO.

| MODEL        | TMU          | TUB          |
|--------------|--------------|--------------|
| Freestanding | BOPPOF0LT-XX | BOPPOF0LN-XX |

| THERMOMASSEUR (TMU)                                      |          |
|--|----------|
| Hydro-thermo massage • Air jet system                    | \$       |
| Jets   | 35       |
| 1 heated backrest  | Included |
| MiaPlus® Control (not installed)                         | Included |
| BU-Touch Control Application <b>BUTOUCH</b>              | \$       |
| Geysair®   | Included |
| AromaCloud** <b>BAROMAC</b>                              | \$       |
| Illuzio Chromatherapy <b>BCHRO6</b>                      | \$       |
| 2 <sup>nd</sup> heated backrest (WTS-1 zone) <b>BSHB</b> | \$       |

| TUB  |                       |
|--|-----------------------|
| Soaker                                       | \$                    |
| AromaCloud** <b>BAROMAC</b>                  | \$                    |
| Illuzio Chromatherapy <b>BCHRO6</b>          | \$                    |
| WarmTouchShell® <b>BWTS</b>                  | \$                    |
| DOT control                                  | Included with therapy |
| 2 <sup>nd</sup> WarmTouchShell® <b>BWTS2</b> | \$                    |

## FEATURES

|                   |              |              |    |
|-------------------|--------------|--------------|----|
| Installation type | Freestanding |              |    |
| No. of bathers    |              | Imp. gallons | 42 |
| US gallons        | 51           |              |    |

## INTEGRATED WASTE & OVERFLOW **BOVERINI-XX**

|   |                     |
|---|---------------------|
| White <b>01</b> , Chrome <b>07</b> , Brushed Nickel <b>09</b> , Polished Nickel <b>10</b> , Matte White with UltraVelour finish <b>32</b> | Included & Included |
|---|---------------------|

## STANDARD COLOR

|                 |          |
|-----------------|----------|
|                 | Included |
| White <b>01</b> |          |

## OPTIONS (UPCHARGE APPLICABLE)

### COLOR

|                         |    |
|-------------------------|----|
|                         | \$ |
| Black / White <b>66</b> |    |

### FINISH

|  |    |
|--|----|
| UltraVelour Matte Finish (white only) <b>BVEL2</b> | \$ |
|--|----|

### UNIVERSAL ARMRESTS **BGBGU-XX NEW**

|                 |    |
|-----------------|----|
| White <b>01</b> | \$ |
|-----------------|----|

### INTEGRATED WASTE & OVERFLOW **BOVERINI-XX**

|   |    |
|---|----|
| Matte Black <b>19</b> , Satin Brass <b>18</b> | \$ |
|---|----|

### ISLAND TUB DRAIN™\*\*

|   |    |
|---|----|
| Island Tub Drain™ <b>BISLDD</b>             | \$ |
| Cast Iron Island Tub Drain™ <b>BISLDDCI</b> | \$ |

Don't forget to specify the **finish of the integrated waste & overflow**. Faucets must be freestanding or wall-mounted.

\* The AromaCloud® is built into the deck (factory installed).

\*\* An Island Tub Drain™ is required when there is **no access under the bath**.

**TOTAL PRICE** \$

## FOR THE INSTALLER

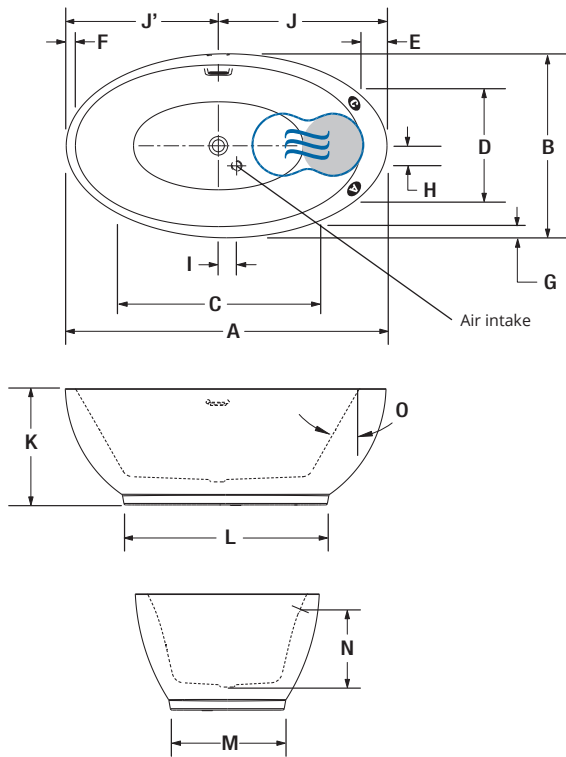
**SCAN TO VIEW INSTALLATION VIDEO (3:20 MIN)**





**OPALIA 6839 OFF-CENTERED ELLIPSE - LEFT (FREESTANDING)**

**INSTALLATION**



| LETTER | DESCRIPTION                                 | MEASURE |
|--------|---|---------|
| A      | Total length                                | 68"     |
| B      | Total width                                 | 39"     |
| C      | Bathing well length (at height of jets)     | 41 5/8" |
| D      | Bathing well width (at height of jets)      | 23 5/8" |
| E      | Deck width (backrest)                       | 5 1/2"  |
| F      | Deck width (feet)                           | 2"      |
| G      | Deck width (center)                         | 2 3/8"  |
| H      | Air intake to center of drain (long axis)   | 4 1/4"  |
| I      | Air intake to center of drain (trans. axis) | 3 7/8"  |
| J      | Center of drain to edge of backrest         | 35 3/4" |
| J'     | Center of drain to edge of backrest         | 32 1/4" |
| K      | Bath height                                 | 24 3/4" |
| L      | Length of the base                          | 43"     |
| M      | Width of the base                           | 24"     |
| N      | Height from drain to center of overflow     | 16"     |
| O      | Slope of backrests                          | 31°     |

- A** AromaCloud® position
- C** Control position when factory-installed (Mia® or DOT)
- Indicates heated backrest (TMU)
- ⊕ Indicates WarmTouchShell® position (TUB)

**TECHNICAL SPECIFICATIONS**

|                                  |  |
|----------------------------------|--|
| <b>Hot water supply required</b> | The hot water supply should be 70% or more of the bath's total water capacity.   |
| <b>Turbine</b>                   | Access to the pump must be at least 18" x 22". <b>Standard connection is 20 A, 120 V, 60 hz, dedicated line with a Ground-Fault Circuit Interrupter (GFCI). For any additional option, a second line is needed 15 A, 120 V, 60 hz, dedicated line with a GFCI.</b>   |
| <b>Others</b>                    | <ul style="list-style-type: none"> <li>- The Geysair is located on the same side as the heated backrest. It must <b>NOT</b> be relocated. It must be <b>connected to the hot water supply</b> and be accessible (provide access).</li> <li>- Faucet must be freestanding or wall-mounted.</li> <li>- The turbine must be <b>remotely installed</b>.</li> </ul> |

Our products must be installed by certified professionals only and according to our Owner's Manual as well as federal, provincial/state and local building codes and regulations ([www.bainultra.com/documentation/documentation](http://www.bainultra.com/documentation/documentation)).

|                                |            |
|--------------------------------|------------|
| <b>Cutting template</b>        | # 90000073 |
| <b>Approx. shipping weight</b> | 230 lbs    |
| <b>Turbine power</b>           | 550 W      |
| <b>Air heater</b>              | 600 W      |
| <b>WARRANTY</b>                |            |
| Controls-LED-Geysair*          | 5 years    |
| Bath & turbine*                | 20 years   |

\* Some restrictions apply | [www.bainultra.com/warranty](http://www.bainultra.com/warranty)

The specifications shown indicate the outer edge dimension and the inside bathing capacity dimension measured at air jets' height. The manufacturer accepts a 1/4" [0.64 cm] variance. There are variations on each product and specifications are subject to change as we improve upon our product as required. The dimensions needed for site preparation and structure building will differ. BainUltra® assumes no responsibility for preparatory work done prior to the product being on site.