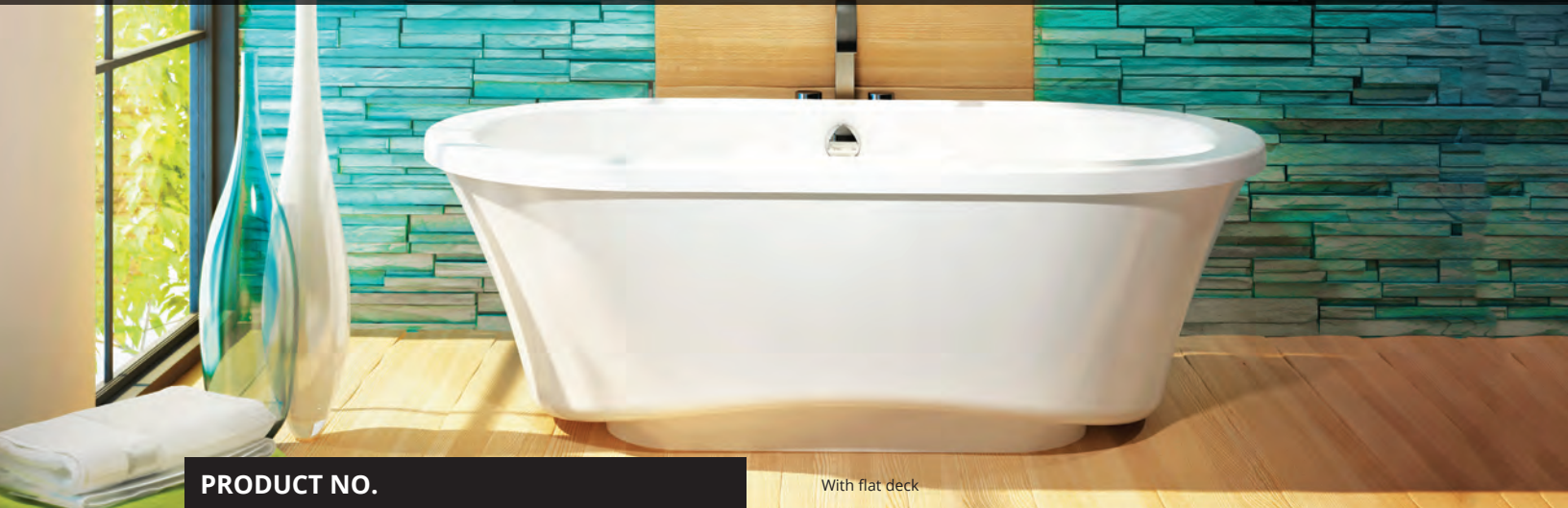


# AMMA OVAL 7242 NARROW BASE

72" x 42" x 27" (FREESTANDING)

Amma takes its origin in the word "massage" as represented by two Chinese characters, AN and MO, meaning "calm through touch."



With flat deck

## PRODUCT NO.

DESCRIPTION	TMU	TUB
Flat deck	BAMVOFS0T-XX	BAMVOFS0N-XX
Raised deck	BAMVOFR0T-XX	BAMVOFR0N-XX

THERMOMASSEUR (TMU) Hydro-thermo massage • Air jet system	\$
Jets	58
2 heated backrests & headrests*	Included
MiaPlus® Control	Included
Geysair®	Included
AromaCloud® <b>BAROMAC</b>	\$
Illuzio Chromatherapy <b>BCHRO6</b>	\$

TUB Soaker	\$
AromaCloud® <b>BAROMAC</b>	\$
Illuzio Chromatherapy <b>BCHRO6</b>	\$
WarmTouchShell® <b>BWTS</b>	\$
DOT control	Included with therapy
2 <sup>nd</sup> WarmTouchShell® <b>BWTS2</b>	\$

## FEATURES

Installation type	Freestanding		
No. of bathers	2	Inverted V	2
US gallons	65	Armrests	4
Imp. gallons	54	Grab bars (color match)	2
Raised seats	2		

## WASTE & OVERFLOW 16" x 35" **BOVER16I-XX**

White <b>01</b> , Biscuit <b>02</b> , Chrome <b>07</b> , Brushed Nickel <b>09</b> , Polished Nickel <b>10</b> , Oil-rubbed Bronze <b>11</b>	Installed & Included
---	----------------------

## STANDARD COLOR

 	Included
White <b>01</b> Biscuit <b>02</b>	

## STANDARD BASE COLOR **BAMBASE-XX**

Same as bath color <b>XX</b>	Included
------------------------------	----------

## OPTIONS (UPCHARGE APPLICABLE)

### COLOR

	\$
Gray <b>05</b>	

### CONTROL (TMU only)

MiaMulti® <b>BMIAM2-XX</b>	\$
----------------------------	----

### CLEAR ACRYLIC GRAB BARS **BGBG10-XX**

With Chrome <b>07</b> or Brushed Nickel <b>09</b> inserts	\$
---	----

### INTEGRATED WASTE & OVERFLOW (installed) **BOVERIN-XX**

White <b>01</b> , Biscuit <b>02</b> , Chrome <b>07</b> , Brushed Nickel <b>09</b> , Polished Nickel <b>10</b>	\$
Black Chrome <b>12</b> , Matte Black <b>19</b> , Satin Brass <b>18</b>	\$

### ISLAND TUB DRAIN™\*\*\*

Island Tub Drain™ <b>BISLDD</b>	\$
Cast Iron Island Tub Drain™ <b>BISLDDCI</b>	\$

### IF REQUIRED BY CONSTRUCTION CODE OR INSTALLED WITH ITD

Brass waste & overflow kit*** <b>BDRCOB</b>	\$
Brass waste kit*** <b>BDRCB</b>	\$
16" x 35" Cable driven Brass waste & overflow kit <b>BOVERBR-XX</b>	\$



Don't forget to indicate **raised or flat deck**. Specify the finish for the waste & overflow. The turbine must be remotely installed.

\* Independently controlled.

\*\* An Island Tub Drain™ is required when there is **no access under the bath**.

\*\*\* When ordered with integrated waste & overflow.

**TOTAL PRICE** \$



Raised deck

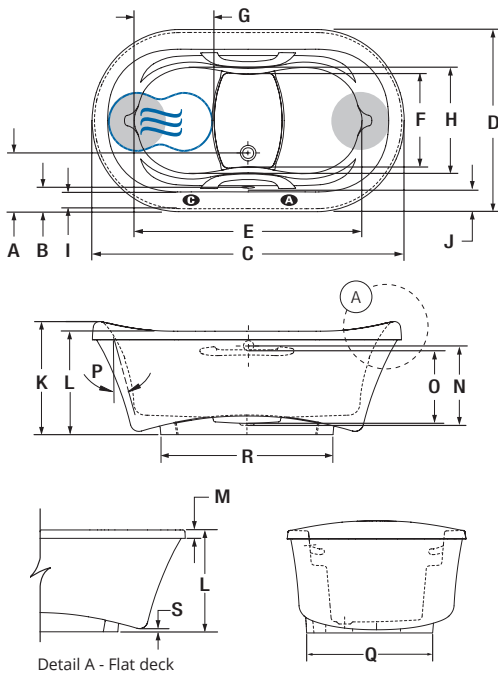


Flat deck

## AMMA OVAL 7242 NARROW BASE (FREESTANDING)

### INSTALLATION

Available with raised or flat deck.



LETTER	DESCRIPTION	MEASURE
A	Outside edge to center drain	13 1/2"
B	Outside edge to overflow	5 3/8"
C	Total length	72"
D	Total width	42"
E	Bathing well length	52 1/4"
F	Bathing well width at foot area	21 3/8"
G	Raised seat length	18 5/8"
H	Raised seat width	24"
I	Flat surface width	3 7/8"
J	Deck width	5 1/4"
K	Height from bottom of TUB to top deck	26 3/8"
L	Height from bottom of TUB to top deck	24 1/8"
M	Height from bottom of lip to top deck	2"
N	Height from drain to center of overflow	18 1/8"
O	Maximum water level	16 3/8"
P	Slope of backrest	18°
Q	Base Width	28 1/2"
R	Base Length	40 1/8"
S	Height from bottom of bath to floor	3/4"

- A** AromaCloud® position
- C** Control position when factory-installed (Mia® or DOT)
- Indicates heated backrest (TMU)
- ☞ Indicates WarmTouchShell® position (TUB)

### TECHNICAL SPECIFICATIONS

<b>Hot water supply required</b>	Should be 70% of water capacity of TUB or greater.
<b>Turbine</b>	Access to the pump must be at least 18" x 22". <b>Standard connection is 20 A, 120 V, 60 hz</b> , dedicated line with a Ground-Fault Circuit Interrupter (GFCI). <b>For any additional option, a second line is needed 15 A, 120 V, 60 hz</b> , dedicated line with a GFCI. Air vent necessary: 2" x 4" minimum.
<b>Others</b>	<ul style="list-style-type: none"> <li>- There is a height difference for the flat deck (see drawing Detail A).</li> <li>- Faucets may be installed on deck of bath on the drain &amp; overflow side.</li> <li>- Overflow preinstalled for easier in-home fitting.</li> <li>- Specify flat or raised deck.</li> <li>- The turbine must be <b>remotely installed</b>.</li> </ul>

Our products must be installed by certified professionals only and according to our Owner's Manual as well as federal, provincial/state and local building codes and regulations ([www.bainultra.com/documentation/documentation](http://www.bainultra.com/documentation/documentation)).

<b>Cutting template</b>	# 90000059
<b>Approx. shipping weight</b>	290 lbs
<b>Turbine power</b>	550 W
<b>Air heater</b>	600 W

#### WARRANTY

Controls-LED-Geysair*	5 years
Bath & turbine*	20 years

\* Some restrictions apply | [www.bainultra.com/warranty](http://www.bainultra.com/warranty)



The specifications shown indicate the outer edge dimension and the inside bathing capacity dimension measured at air jets' height. The manufacturer accepts a 1/4" [0.64 cm] variance. There are variations on each product and specifications are subject to change as we improve upon our product as required. The dimensions needed for site preparation and structure building will differ. BainUltra® assumes no responsibility for preparatory work done prior to the product being on site.