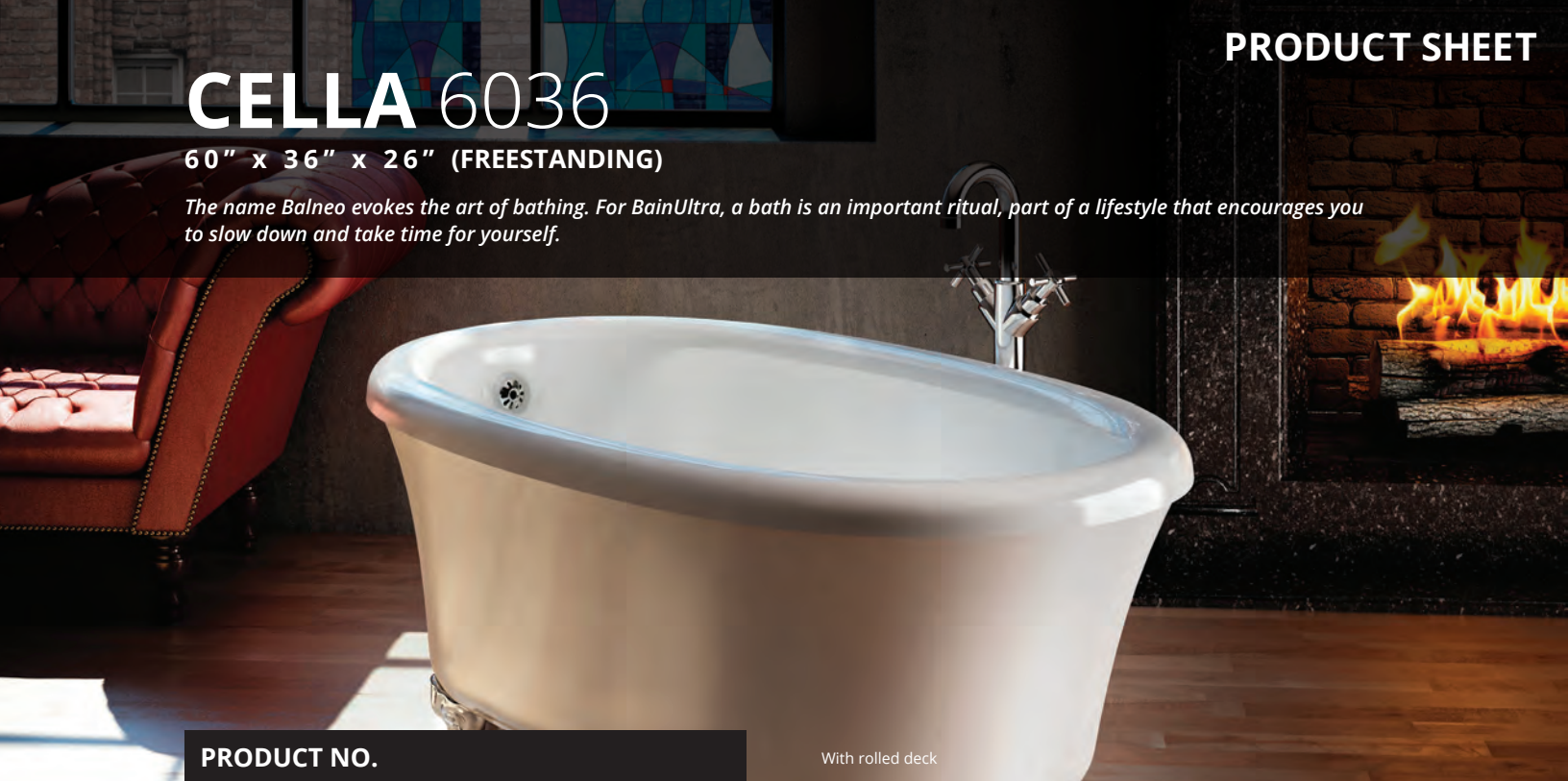


# CELLA 6036

60" x 36" x 26" (FREESTANDING)

The name Balneo evokes the art of bathing. For BainUltra, a bath is an important ritual, part of a lifestyle that encourages you to slow down and take time for yourself.



With rolled deck

## PRODUCT NO.

DESCRIPTION	TMU	TUB
Flat deck	BBCFOFN0T-XX	BBCFOFN0N-XX
Rolled deck	BBCFOFP0T-XX	BBCFOFP0N-XX

THERMOMASSEUR (TMU) Hydro-thermo massage • Air jet system	\$
Jets	34
1 heated backrest	Included
MiaMulti® Control*	Included
Geysair®	Included
AromaCloud® <b>BAROMAC</b>	\$
Illuzio Chromatherapy <b>BCHRO6</b>	\$

TUB Soaker	\$
AromaCloud® <b>BAROMAC</b>	\$
Illuzio Chromatherapy <b>BCHRO6</b>	\$
WarmTouchShell® <b>BWTS</b>	\$
DOT control	Included with therapy

## FEATURES

Installation type	Freestanding		
No. of bathers	↓	Imp. gallons	37
US gallons	44		

## STANDARD COLOR

 White <b>01</b>	 Biscuit <b>02</b>	Included
---	---	----------

## CLAW FEET (specify finish) **BFEET-XX**

Chrome <b>07</b> , Brushed Nickel <b>09</b> , Polished Nickel <b>10</b> , Oil-rubbed Bronze <b>11</b> , Unplated <b>00</b>	Included
--	----------

## OPTIONS (UPCHARGE APPLICABLE)

### COLOR


 Gray <b>05</b>	\$
--	----

### FOR AIR SUPPLY ONLY

Decorative pipe (1 1/2" x 6")	\$
Decorative pipe (1 1/2" x 24")	\$
Pipe concealer (3" x 5 1/4")	\$
Elbow (45°)	\$
Elbow (90°)	\$

### WASTE & OVERFLOW D13 (exposed) **BOVERD13-XX**

Chrome <b>07</b>	\$
Brushed Nickel <b>09</b> , Polished Nickel <b>10</b> , Oil-rubbed Bronze <b>11</b> , Unplated <b>00</b>	\$

 \* For TMU, control must be wall-mounted. Faucets must be freestanding or wall-mounted. Don't forget to indicate **flat or rolled deck**, as well as the selected **finish for the claw feet**.

<b>TOTAL PRICE</b>	\$
--------------------	----



**CELLA 6036 (FREESTANDING)**



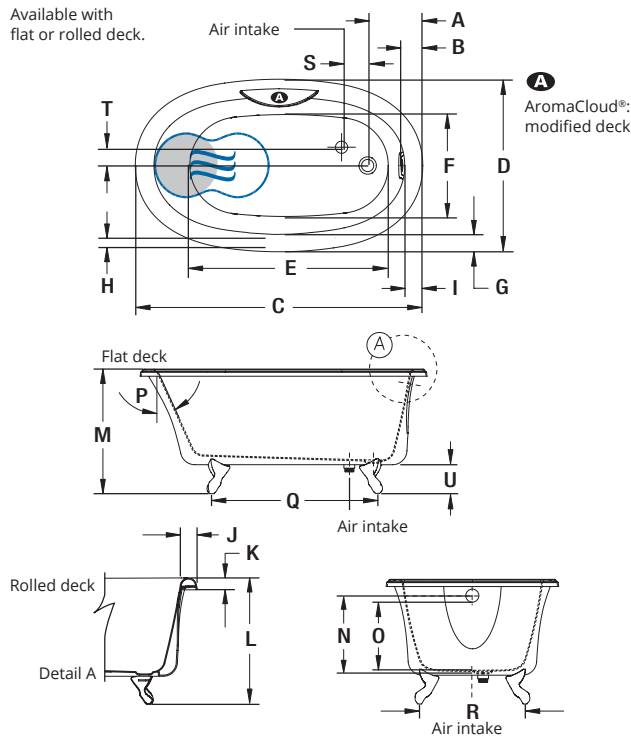
Flat deck



Rolled deck

**INSTALLATION**

Available with flat or rolled deck.



LETTER	DESCRIPTION	MEASURE
A	Outside edge to center waste	11 1/4"
B	Outside edge to overflow	3 5/8"
C	Total length	60"
D	Total width	36"
E	Bathing well length	42 1/8"
F	Bathing well width	21 7/8"
G	Deck width	3 7/8"
H	Flat surface width	2 1/2"
I	Deck width	4"
J	Rolled deck width	3 7/8"
K	Height from bottom of lip to top deck	2 1/2"
L	Height from clawfoot to top of lip	27"
M	Height from clawfoot to top of lip	26"
N	Height from waste to center of overflow	15 5/8"
O	Maximum water level	13 7/8"
P	Slope of backrest	25°
Q	Length between clawfeet	34 3/4"
R	Width between clawfeet	22 3/4"
S	Distance from center air intake to center waste	5 1/2"
T	Distance from center air intake to center waste	3"
U	Clearance from floor to bottom of bath	4 1/2"

**A** AromaCloud® position  
 Indicates WarmTouchShell® position (TUB)  
 Indicates heated backrest (TMU)

**TECHNICAL SPECIFICATIONS**

<b>Hot water supply required</b>	Should be 70% of water capacity of TUB or greater.
<b>Turbine</b>	Access to the pump must be at least 18" x 22". <b>Standard connection is 20 A, 120 V, 60 hz</b> , dedicated line with a Ground-Fault Circuit Interrupter (GFCI). <b>For any additional option, a second line is needed 15 A, 120 V, 60 hz</b> , dedicated line with a GFCI. Air vent necessary: 2" x 4" minimum.
<b>Others</b>	<ul style="list-style-type: none"> <li>- There is a height difference for the rolled deck (see drawing Detail A).</li> <li>- Faucets must be freestanding or wall-mounted.</li> <li>- The turbine must be <b>remotely installed</b>.</li> <li>- TMU: Control must be wall-mounted.</li> <li>- TUB: DOT controls are located on either sides of the AromaCloud®.</li> </ul>

<b>Approx. shipping weight</b>	275 lbs
<b>Turbine power</b>	550 W
<b>Air heater</b>	600 W
<b>WARRANTY</b>	
Controls-LED-Geysair*	5 years
Bath & turbine*	20 years

\* Some restrictions apply | [www.bainultra.com/warranty](http://www.bainultra.com/warranty)

Our products must be installed by certified professionals only and according to our Owner's Manual as well as federal, provincial/state and local building codes and regulations ([www.bainultra.com/documentation/documentation](http://www.bainultra.com/documentation/documentation)).



The specifications shown indicate the outer edge dimension and the inside bathing capacity dimension measured at air jets' height. The manufacturer accepts a 1/4" [0.64 cm] variance. There are variations on each product and specifications are subject to change as we improve upon our product as required. The dimensions needed for site preparation and structure building will differ. BainUltra® assumes no responsibility for preparatory work done prior to the product being on site.