

# NAOS 7240

72" x 40" x 25" (FREESTANDING)

The name Balneo evokes the art of bathing. For BainUltra, a bath is an important ritual, part of a lifestyle that encourages you to slow down and take time for yourself.



With rolled deck

## PRODUCT NO.

DESCRIPTION	TMU	TUB
Flat deck	BBNUOFN0T-XX	BBNUOFN0N-XX
Rolled deck	BBNUOFP0T-XX	BBNUOFP0N-XX

THERMOMASSEUR (TMU)	
Hydro-thermo massage • Air jet system	\$
Jets	40
1 heated backrest	Included
MiaMulti® Control*	Included
Geysair®	Included
AromaCloud® BAROMAC	\$
Illuzio Chromatherapy BCHRO6	\$
2 <sup>nd</sup> heated backrest (WTS-1 zone) BSHB	\$

TUB	
Soaker	\$
AromaCloud® BAROMAC	\$
Illuzio Chromatherapy BCHRO6	\$
WarmTouchShell® BWTS	\$
DOT control	Included with therapy
2 <sup>nd</sup> WarmTouchShell® BWTS2	\$

## FEATURES

Installation type	Freestanding		
No. of bathers		Imp. gallons	49
US gallons	59		

## STANDARD COLOR

		Included
White 01	Biscuit 02	

## OPTIONS (UPCHARGE APPLICABLE)

### COLOR

	Gray 05	\$
--	---------	----

### TOWEL BARS

	TUBE BBARTU-XX	TWIST BBARTW-XX
Chrome 07, Unplated 00	\$	\$
Brushed Nickel 09, Polished Nickel 10, Oil-rubbed Bronze 11	\$	\$

### FOR AIR SUPPLY ONLY

Decorative pipe (1 1/2" x 6")	\$
Decorative pipe (1 1/2" x 24")	\$
Pipe concealer (3" x 5 1/4")	\$
Elbow (45°)	\$
Elbow (90°)	\$

### WASTE & OVERFLOW D13 (exposed) BOVERD13-XX

Chrome 07	\$
Brushed Nickel 09, Polished Nickel 10, Oil-rubbed Bronze 11 Unplated 00	\$



\* For TMU, control must be wall-mounted. Faucets must be freestanding or wall-mounted. Don't forget to indicate **flat or rolled deck**.

**TOTAL PRICE** \$



**NAOS 7240 (FREESTANDING)**



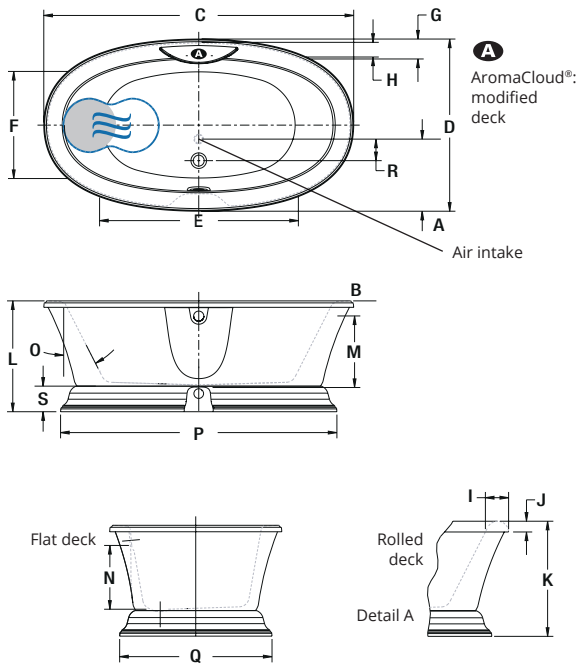
Flat deck



Rolled deck

**INSTALLATION**

Available with flat or rolled deck.



LETTER	DESCRIPTION	MEASURE
A	Outside edge to center waste	11 3/4"
B	Outside edge to overflow	4 3/8"
C	Total length	72"
D	Total width	40"
E	Bathing well length	46 1/8"
F	Bathing well width	24 7/8"
G	Deck width	4 5/8"
H	Flat surface width	3 3/8"
I	Rolled deck width	5 5/8"
J	Height from bottom of lip to top deck	2 1/2"
K	Height from bottom of TUB to top deck	26 3/4"
L	Height from bottom of TUB to top deck	25 3/4"
M	Height from waste to center of overflow	16 5/8"
N	Maximum water level	14 7/8"
O	Slope of backrest	27°
P	Base length	64 1/4"
Q	Base width	35 3/8"
R	Distance from center air intake to center waste	5"

- A** AromaCloud® position
- Indicates heated backrest (TMU)
- Indicates WarmTouchShell® position (TUB)

**TECHNICAL SPECIFICATIONS**

<b>Hot water supply required</b>	Should be 70% of water capacity of TUB or greater.
<b>Turbine</b>	Access to the pump must be at least 18" x 22". <b>Standard connection is 20 A, 120 V, 60 hz</b> , dedicated line with a Ground-Fault Circuit Interrupter (GFCI). <b>For any additional option, a second line is needed 15 A, 120 V, 60 hz</b> , dedicated line with a GFCI. Air vent necessary: 2" x 4" minimum.
<b>Others</b>	<ul style="list-style-type: none"> <li>- There is a height difference for the rolled deck (see drawing Detail A).</li> <li>- Faucets must be freestanding or wall-mounted.</li> <li>- The turbine must be <b>remotely installed</b>.</li> <li>- TMU: Control must be wall-mounted.</li> <li>- TUB: DOT controls are located on either sides of the AromaCloud®.</li> </ul>

Our products must be installed by certified professionals only and according to our Owner's Manual as well as federal, provincial/state and local building codes and regulations ([www.bainultra.com/documentation/documentation](http://www.bainultra.com/documentation/documentation)).

<b>Approx. shipping weight</b>	285 lbs
<b>Turbine power</b>	550 W
<b>Air heater</b>	600 W
<b>WARRANTY</b>	
Controls-LED-Geysair*	5 years
Bath & turbine*	20 years

\* Some restrictions apply | [www.bainultra.com/warranty](http://www.bainultra.com/warranty)



The specifications shown indicate the outer edge dimension and the inside bathing capacity dimension measured at air jets' height. The manufacturer accepts a 1/4" [0.64 cm] variance. There are variations on each product and specifications are subject to change as we improve upon our product as required. The dimensions needed for site preparation and structure building will differ. BainUltra® assumes no responsibility for preparatory work done prior to the product being on site.