

# SANOS 6636

66" x 36" x 24" (FREESTANDING)

The name Balneo evokes the art of bathing. For BainUltra, a bath is an important ritual, part of a lifestyle that encourages you to slow down and take time for yourself.



With flat deck

## PRODUCT NO.

DESCRIPTION	TMU	TUB
Flat deck	BBSLOFN0T-XX	BBSLOFN0N-XX
Rolled deck	BBSLOFP0T-XX	BBSLOFP0N-XX

THERMOMASSEUR (TMU) Hydro-thermo massage • Air jet system	\$
Jets	38
1 heated backrest	Included
MiaPlus® Control*	Included
BU-Touch Control Application <b>NEW</b>	Included
Geysair®	Included
AromaCloud®*** <b>BAROMAC</b>	\$
Illuzio Chromatherapy <b>BCHRO6</b>	\$
2 <sup>nd</sup> heated backrest (WTS-1 zone) <b>BSHB</b>	\$

TUB Soaker	\$
AromaCloud®*** <b>BAROMAC</b>	\$
Illuzio Chromatherapy <b>BCHRO6</b>	\$
WarmTouchShell® <b>BWTS</b>	\$
DOT control	Included with therapy
2 <sup>nd</sup> WarmTouchShell® <b>BWTS2</b>	\$

## FEATURES

Installation type		Freestanding	
No. of bathers		Imp. gallons	40
US gallons	48		
STANDARD COLOR			
		Included	
White <b>01</b>	Biscuit <b>02</b>		

## OPTIONS (UPCHARGE APPLICABLE)

### FOR AIR SUPPLY ONLY

Decorative pipe (1 1/2" x 6")	\$
Decorative pipe (1 1/2" x 24")	\$
Elbow (45°)	\$
Elbow (90°)	\$
WASTE & OVERFLOW D13 (exposed) <b>BOVERD13-XX</b>	
Chrome <b>07</b>	\$
Brushed Nickel <b>09</b> , Polished Nickel <b>10</b> , Oil-rubbed Bronze <b>11</b> Unplated <b>00</b>	\$



Don't forget to indicate **flat or rolled deck**.

\* For TMU, control must be wall-mounted. Faucets must be freestanding or wall-mounted.

\*\* The AromaCloud® is built into the deck (factory installed).

**TOTAL PRICE** \$



**SANOS 6636 (FREESTANDING)**



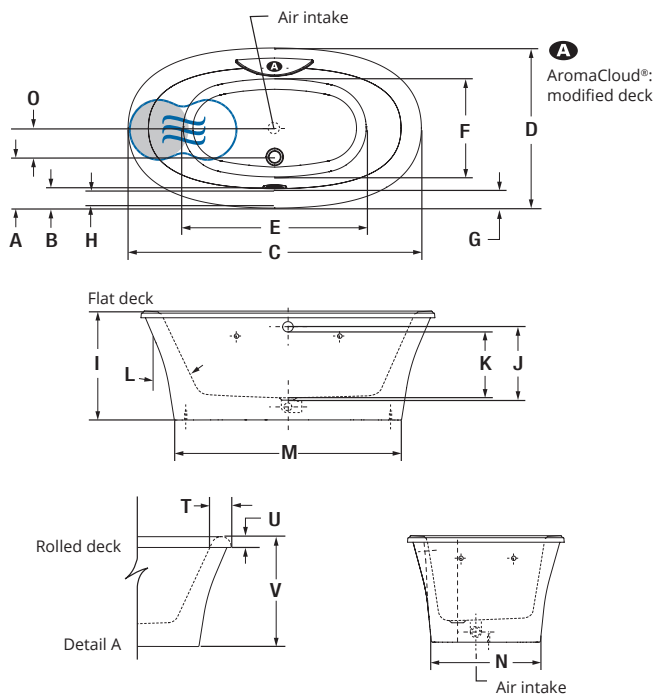
Flat deck



Rolled deck

**INSTALLATION**

Available with flat or rolled deck.



LETTER	DESCRIPTION	MEASURE
A	Outside edge to center drain	11 1/2"
B	Outside edge to overflow	4 5/8"
C	Total length	66"
D	Total width	36"
E	Bathing well length	42 3/8"
F	Bathing well width	22 1/4"
G	Deck width	4 1/4"
H	Flat surface width	3"
I	Height from bottom of bath to top deck	24 1/2"
J	Height from drain to center of overflow	16 5/8"
K	Maximum water level	14 7/8"
L	Slope of backrest	25°
M	Base length	50 7/8"
N	Base width	24 7/8"
O	Center drain to center air intake	3 1/4"
T	Rolled deck width	4 3/4"
U	Height from bottom of lip to top deck	2 1/2"
V	Height from bottom of bath to top deck	25 1/2"

- A** AromaCloud® position
- Indicates heated backrest (TMU)
- Indicates WarmTouchShell® position (TUB)

**TECHNICAL SPECIFICATIONS**

<b>Hot water supply required</b>	Should be 70% of water capacity of TUB or greater.
<b>Turbine</b>	Access to the pump must be at least 18" x 22". <b>Standard connection is 20 A, 120 V, 60 hz</b> , dedicated line with a Ground-Fault Circuit Interrupter (GFCI). <b>For any additional option, a second line is needed 15 A, 120 V, 60 hz</b> , dedicated line with a GFCI. Air vent necessary: 2" x 4" minimum.
<b>Others</b>	<ul style="list-style-type: none"> <li>- The GEYSAIR must always be accessible and connected to the hot water supply (provide access).</li> <li>- Faucets must be freestanding or wall-mounted.</li> <li>- The turbine must be <b>remotely installed</b>.</li> <li>- There is a height difference for the rolled deck (see Detail A).</li> <li>- TMU: Control must be wall-mounted.</li> <li>- TUB: Dot controls are located on either sides of the AromaCloud®.</li> </ul>

Our products must be installed by certified professionals only and according to our Owner's Manual as well as federal, provincial/state and local building codes and regulations ([www.bainultra.com/documentation/documentation](http://www.bainultra.com/documentation/documentation)).

<b>Cutting template</b>	# 90000055
<b>Approx. shipping weight</b>	240 lbs
<b>Turbine power</b>	550 W
<b>Air heater</b>	600 W
<b>WARRANTY</b>	
Controls-LED-Geysair*	5 years
Bath & turbine*	20 years

\* Some restrictions apply | [www.bainultra.com/warranty](http://www.bainultra.com/warranty)



The specifications shown indicate the outer edge dimension and the inside bathing capacity dimension measured at air jets' height. The manufacturer accepts a 1/4" [0.64 cm] variance. There are variations on each product and specifications are subject to change as we improve upon our product as required. The dimensions needed for site preparation and structure building will differ. BainUltra® assumes no responsibility for preparatory work done prior to the product being on site.