

# CHARISM 6436

64" x 36" x 24" (FREESTANDING)

Charism has broken the mold, transcending conventional approaches to therapeutic baths.

CHARISM®

## PRODUCT NO.

MODEL	TMU	TUB
Freestanding	BCH3OF00T-XX	BCH3OF00N-XX

THERMOMASSEUR (TMU)	
Hydro-thermo massage • Air jet system	\$
Jets	35
1 heated backrest	Included
MiaMulti® Control*	Included
Geysair®	Included
AromaCloud®	N/A
Illuzio Chromatherapy <a href="#">BCHRO6</a>	\$
2 <sup>nd</sup> heated backrest (WTS-1 zone) <a href="#">BSHB</a>	\$

TUB	
Soaker	\$
AromaCloud®	N/A
Illuzio Chromatherapy <a href="#">BCHRO6</a>	\$
WarmTouchShell® <a href="#">BWTS</a>	\$
DOT control	Included with therapy
2 <sup>nd</sup> WarmTouchShell® <a href="#">BWTS2</a>	\$

## FEATURES

Installation type	Freestanding		
No. of bathers		Imp. gallons	42
US gallons	51		

INTEGRATED WASTE & OVERFLOW <a href="#">BOVERINI-XX</a>	
White <a href="#">01</a> , Chrome <a href="#">07</a> , Brushed Nickel <a href="#">09</a> , Polished Nickel <a href="#">10</a>	Installed & Included

STANDARD COLOR	
White <a href="#">01</a>	Included

STANDARD DECK COLOR <a href="#">BDECKCO-XX</a>	
White <a href="#">01</a> Black <a href="#">06</a>	Included

## OPTIONS (UPCHARGE APPLICABLE)

FINISH	
UltraVelour Matte Finish (White only) <a href="#">BVEL</a>	\$

DECK COLOR <a href="#">BDECKCO-XX</a>	
Copper <a href="#">18</a> Crystal Rock <a href="#">17</a>	\$

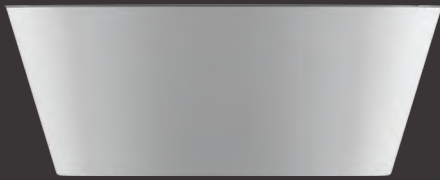
INTEGRATED WASTE & OVERFLOW <a href="#">BOVERINI-XX</a>	
Black Chrome <a href="#">12</a> , Matte Black <a href="#">19</a> , Satin Brass <a href="#">18</a>	\$

ISLAND TUB DRAIN™**	
Island Tub Drain™ <a href="#">BISLDD</a>	\$
Cast Iron Island Tub Drain™ <a href="#">BISLDDCI</a>	\$

IF REQUIRED BY CONSTRUCTION CODE OR INSTALLED WITH ITD	
Brass waste & overflow kit <a href="#">BDRCOB</a>	\$
Brass waste kit <a href="#">BDRCB</a>	\$

Don't forget that this model is available in **White only with choice of deck color**. Don't forget to specify the **finish of the integrated waste & overflow**.  
 \* For TMU, control and faucets cannot be installed on deck of the bath.  
 \*\* An Island Tub Drain™ is required when there is **no access under the bath**.

<b>TOTAL PRICE</b>	\$
--------------------	----



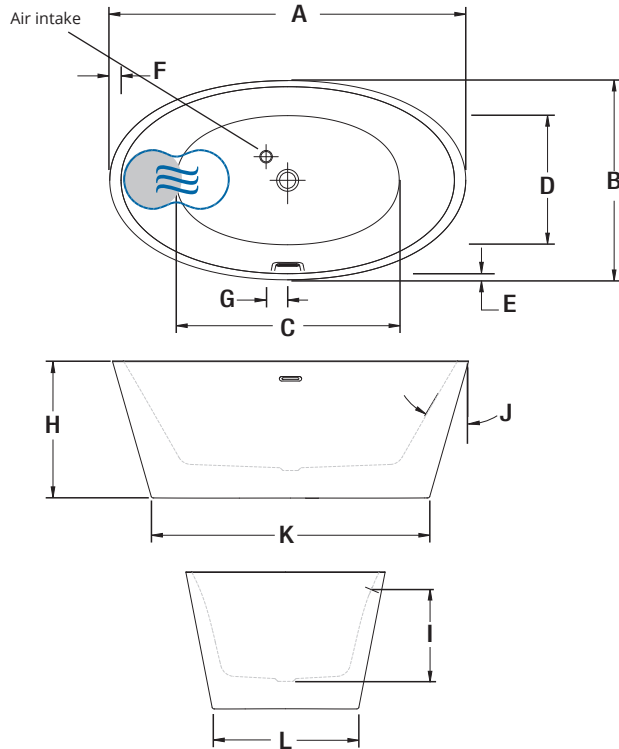
Black deck color

## CHARISM 6436 (FREESTANDING)



White deck color

### INSTALLATION



LETTER	DESCRIPTION	MEASURE
A	Total length	64 1/8"
B	Total width	35 7/8"
C	Bathing well length	41 3/4"
D	Bathing well width	23 5/8"
E	Deck width	1 1/8"
F	Deck width at headrest	2"
G	Center waste to air intake	3 7/8"
H	Total height	24 3/4"
I	Maximum water level	16"
J	Slope of backrest	31°
K	Base length	50"
L	Base width	26 1/4"

- Indicates heated backrest (TMU)
- ☞ Indicates WarmTouchShell® position (TUB)

### TECHNICAL SPECIFICATIONS

<b>Hot water supply required</b>	Should be 70% of water capacity of TUB or greater.
<b>Turbine</b>	Access to the pump must be at least 18" x 22". <b>Standard connection is 20 A, 120 V, 60 Hz</b> , dedicated line with a Ground-Fault Circuit Interrupter (GFCI). <b>For any additional option, a second line is needed 15 A, 120 V, 60 Hz</b> , dedicated line with a GFCI. Air vent necessary: 2" x 4" minimum.
<b>Others</b>	<ul style="list-style-type: none"> <li>- Faucet must be freestanding or wall-mounted.</li> <li>- The turbine must be <b>remotely installed</b>.</li> <li>- Controls cannot be installed on the deck of the bath.</li> </ul>

Our products must be installed by certified professionals only and according to our Owner's Manual as well as federal, provincial/state and local building codes and regulations ([www.bainultra.com/documentation/documentation](http://www.bainultra.com/documentation/documentation)).

<b>Cutting template</b>	# 90000067
<b>Approx. shipping weight</b>	230 lbs
<b>Turbine power</b>	550 W
<b>Air heater</b>	600 W
<b>WARRANTY</b>	
Controls-LED-Geysair*	5 years
Bath & turbine*	20 years

\* Some restrictions apply | [www.bainultra.com/warranty](http://www.bainultra.com/warranty)



The specifications shown indicate the outer edge dimension and the inside bathing capacity dimension measured at air jets' height. The manufacturer accepts a 1/4" [0.64 cm] variance. There are variations on each product and specifications are subject to change as we improve upon our product as required. The dimensions needed for site preparation and structure building will differ. BainUltra® assumes no responsibility for preparatory work done prior to the product being on site.