

NEW

CITTI 17

60" x 32" x 17"

Citti® is derived from sanskrit for "free spirit." At the same time, the name evokes today's great cities: these are the perfect baths for urban living.

PRODUCT SHEET

PRODUCT NO.

DESCRIPTION	TMU	TUB
Left	BC7DRA0LT-XX	BC7DRA0LN-XX
Right	BC7DRA0RT-XX	BC7DRA0RN-XX

THERMOMASSEUR (TMU)

Hydro-thermo massage • Air jet system

\$

Jets	42
1 heated backrest	Included
Mia® Control	Included
Geysair®	Included
AromaCloud® BAROMAC	\$
Illuzio Chromatherapy BCHRO6	\$

TUB

Soaker

\$

AromaCloud® BAROMAC	\$
Illuzio Chromatherapy BCHRO6	\$
WarmTouchShell® BWTS	\$
DOT control	Included with therapy

FEATURES

Installation type	Alcove (3 walls)		
Integrated skirt & tile flange (specify right or left)	Installed & Included		
No. of bathers	↓	Imp. gallons	37
US gallons	45		

INTEGRATED WASTE & OVERFLOW **BOVERINI-XX**

White 01 , Biscuit 02 , Chrome 07 , Brushed Nickel 09 , Polished Nickel 10	Installed & Included
------------------------------------------------------------------------------------------------------------------	----------------------

STANDARD COLOR

 White 01	 Biscuit 02	Included
-----------------------------------------------------------------------------------------------------	-------------------------------------------------------------------------------------------------------	----------

OPTIONS (UPCHARGE APPLICABLE)

COLOR

	Gray 05	\$
-----------------------------------------------------------------------------------	----------------	----

FINISH

UltraVelour Matte Finish (White only) BVEL	\$
---------------------------------------------------	----

INTEGRATED WASTE & OVERFLOW **BOVERINI-XX**

Matte Black 19 , Black Chrome 12 , Satin Brass 18	\$
------------------------------------------------------------------------	----

CONTROL (TMU only)

MiaPlus®* BMIAP12-XX or BMIAP2-XX	\$
MiaMulti® BMIAM1-XX	\$

IF REQUIRED BY CONSTRUCTION CODE OR INSTALLED WITH ITD

Brass waste & overflow kit BDRCOB	\$
Brass waste kit BDRCB	\$



Turbine must be remotely installed. With the AromaCloud® and/or Control on the deck, a complete shower door cannot be installed.

Don't forget to specify the **finish of the integrated waste & overflow**.

* The MiaPlus® Control is included when purchasing Chromatherapy on a TMU.

TOTAL PRICE	\$
--------------------	----

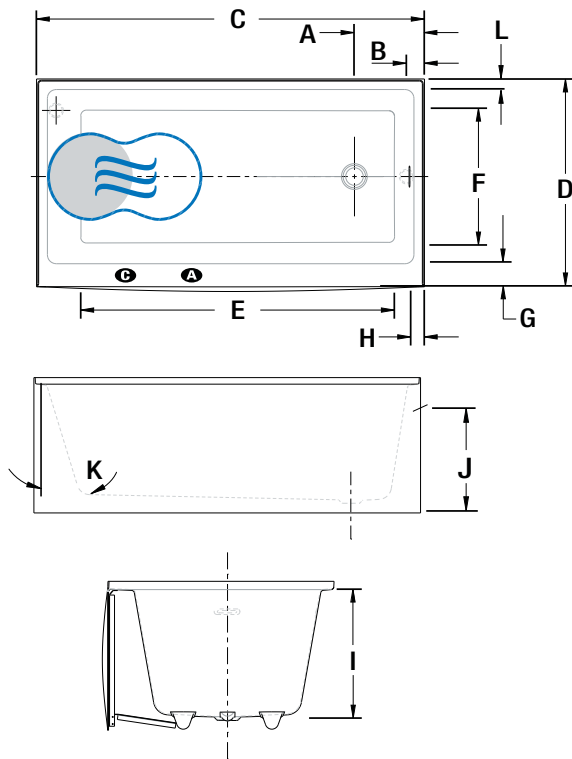


CITTI 17



Ideal for making the most of a small space by turning it into a place to experience multiple therapeutic experiences.

INSTALLATION



LETTER	DESCRIPTION	MEASURE
A	Outside edge to center drain	10 7/8"
B	Outside edge to centre of waste hole	2 3/4"
C	Total length	60"
D	Total width	32"
E	Bathing well length	49 1/4"
F	Bathing well width	21 1/8"
G	Deck width	3 3/4"
H	Deck width at waste end	2"
I	Height from bottom of tub to top deck	17"
J	Height from drain to center of overflow	14 1/2"
K	Slope of backrest	17°
L	Deck width overflow side	2 1/8"

- A** AromaCloud® position
- B** Control position when factory-installed (Mia® or DOT)
- Indicates heated backrest (TMU)
- ☞ Indicates WarmTouchShell® position (TUB)

TECHNICAL SPECIFICATIONS

Hot water supply required	Should be 70% of water capacity of TUB or greater.
Turbine	Access to the pump must be at least 18" x 22". Standard connection is 20 A, 120 V, 60 hz , dedicated line with a Ground-Fault Circuit Interrupter (GFCI). For any additional option, a second line is needed 15 A, 120 V, 60 hz , dedicated line with a GFCI. Air vent necessary: 2" x 4" minimum.
Others	- The turbine must be remotely installed . - Citti bathtubs include an integrated tile flange, specify right or left.

Our products must be installed by certified professionals only and according to our Owner's Manual as well as federal, provincial/state and local building codes and regulations (www.bainultra.com/documentation/documentation).

Approx. shipping weight	125 lbs
Turbine power	550 W
Air heater	600 W

WARRANTY	
Controls-LED-Geysair*	5 years
Bath & turbine*	20 years

* Some restrictions apply | www.bainultra.com/warranty



The specifications shown indicate the outer edge dimension and the inside bathing capacity dimension measured at air jets' height. The manufacturer accepts a 1/4" [0.64 cm] variance. There are variations on each product and specifications are subject to change as we improve upon our product as required. The dimensions needed for site preparation and structure building will differ. BainUltra® assumes no responsibility for preparatory work done prior to the product being on site.