

ESTHESIA 6436

64" x 36" x 25" (FREESTANDING)

Esthesia, the new expression of beauty in the world of therapeutic baths. Neoclassically inspired Esthesia baths boast clean, purely geometric designs. Their elegant, luxurious pedigree means they're right at home in almost any cultural or architectural setting.



PRODUCT NO.

MODEL	TMU	TUB
Freestanding	BEA3RF00T-XX	BEA3RF00N-XX

THERMOMASSEUR (TMU)	
Hydro-thermo massage • Air jet system	\$
Jets	38
1 heated backrest	Included
MiaPlus® Control	Included
BU-Touch Control Application BUTOUCH NEW	\$
Geysair®	Included
AromaCloud®** BAROMAC	\$
Illuzio Chromatherapy BCHRO6	\$
2 nd heated backrest (WTS-1 zone) BSHB	\$

TUB	
Soaker	\$
AromaCloud®** BAROMAC	\$
Illuzio Chromatherapy BCHRO6	\$
WarmTouchShell® BWTS	\$
DOT control	Included with therapy
2 nd WarmTouchShell® BWTS2	\$

FEATURES

Installation type	Freestanding		
No. of bathers		Imp. gallons	49
US gallons	59		
INTEGRATED WASTE & OVERFLOW BOVERINI-XX			
White 01 , Chrome 07 , Brushed Nickel 09 , Polished Nickel 10	Installed & Included		
STANDARD COLOR			
	White 01		
	Included		

OPTIONS (UPCHARGE APPLICABLE)

COLOR

	Black / White 66	\$
--	-------------------------	----

FINISH

UltraVelour Matte Finish (White only) BVEL	\$
---	----

INTEGRATED WASTE & OVERFLOW **BOVERINI-XX**

Matte Black 19 , Black Chrome 12 , Satin Brass 18	\$
--	----

ISLAND TUB DRAIN™**

Island Tub Drain™ BISLDD	\$
Cast Iron Island Tub Drain™ BISLDDCI	\$

IF REQUIRED BY CONSTRUCTION CODE

Brass waste & overflow kit BDRCOB	\$
Brass waste kit BDRCB	\$



Don't forget to specify the **finish of the integrated waste & overflow.**

* The AromaCloud® is built into the deck (factory installed).

** An Island Tub Drain™ is required when there is **no access under the bath.**

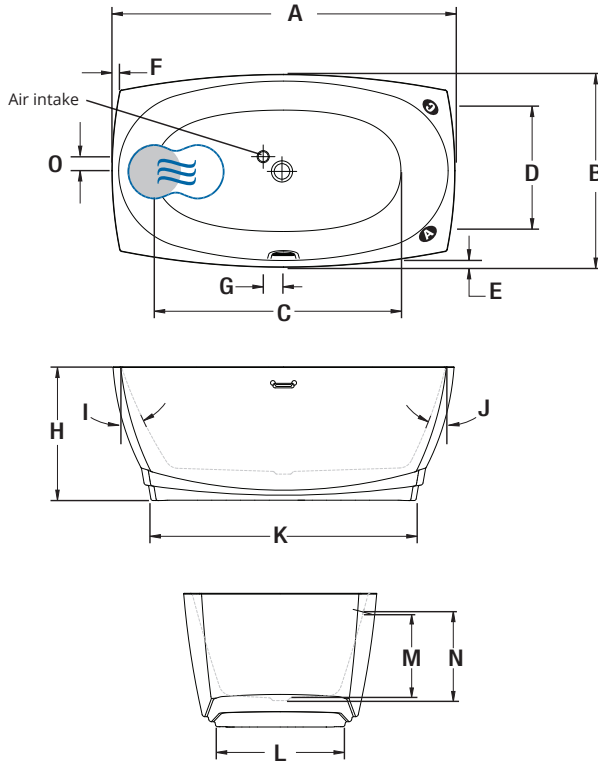
TOTAL PRICE \$



ESTHESIA 6436 (FREESTANDING)



INSTALLATION



LETTER	DESCRIPTION	MEASURE
A	Total length	64"
B	Total width	36"
C	Bathing well length	47 3/8"
D	Bathing well width	23"
E	Deck width	1 5/8"
F	Deck width at headrest	1 5/8"
G	Center drain to center air intake	3 1/2"
H	Total height	25"
I	Slope of backrest	26°
J	Slope of backrest	21°
K	Base length	49 5/8"
L	Base width	23 7/8"
M	Height from drain to center of overflow	16 5/8"
N	Maximum water level	15 7/8"
O	Center drain to center air intake	2 3/4"

- A** AromaCloud® position
- G** Control position when factory-installed (Mia® or DOT)
- Indicates heated backrest (TMU)
- ☁ Indicates WarmTouchShell® position (TUB)

TECHNICAL SPECIFICATIONS

Hot water supply required	Should be 70% of water capacity of TUB or greater.
Turbine	Access to the pump must be at least 18" x 22". Standard connection is 20 A, 120 V, 60 hz , dedicated line with a Ground-Fault Circuit Interrupter (GFCI). For any additional option, a second line is needed 15 A, 120 V, 60 hz , dedicated line with a GFCI. Air vent necessary: 2" x 4" minimum.
Others	<ul style="list-style-type: none"> - The GEYSAIR must always be accessible and connected to the hot water supply (provide access). - Faucet must be freestanding or wall-mounted. - The turbine must be remotely installed.

Our products must be installed by certified professionals only and according to our Owner's Manual as well as federal, provincial/state and local building codes and regulations (www.bainultra.com/documentation/documentation).

Cutting template	# 90000066
Approx. shipping weight	240 lbs
Turbine power	550 W
Air heater	600 W
WARRANTY	
Controls-LED-Geysair*	5 years
Bath & turbine*	20 years

* Some restrictions apply | www.bainultra.com/warranty



The specifications shown indicate the outer edge dimension and the inside bathing capacity dimension measured at air jets' height. The manufacturer accepts a 1/4" [0.64 cm] variance. There are variations on each product and specifications are subject to change as we improve upon our product as required. The dimensions needed for site preparation and structure building will differ. BainUltra® assumes no responsibility for preparatory work done prior to the product being on site.