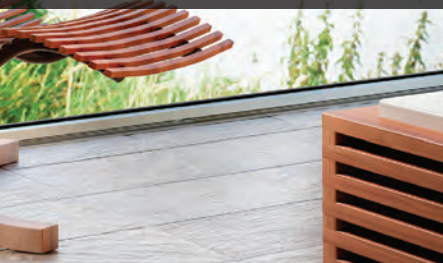


# MERIDIAN 50

60" x 36" x 20"

Named after the meridians of our body—the paths along which our energy flows—the collection also brings to mind the meridian (or mid-point) of life with an invitation to relax and listen to your body and mind.



## PRODUCT NO.

MODEL	TMU	TUB
	BMEFRI00T-XX	BMEFRI00N-XX

THERMOMASSEUR (TMU)	
Hydro-thermo massage • Air jet system	\$
Jets	40
1 heated backrest	Included
MiaPlus® Control	Included
BU-Touch Control Application <b>BUTOUCH NEW</b>	\$
Geysair®	Included
AromaCloud®** <b>BAROMAC</b>	\$
Illuzio Chromatherapy <b>BCHRO6</b>	\$

TUB Soaker	
AromaCloud®** <b>BAROMAC</b>	\$
Illuzio Chromatherapy <b>BCHRO6</b>	\$
WarmTouchShell® <b>BWTS</b>	\$
DOT control	Included with therapy

## FEATURES

Installation type	Drop-in, Alcove (3 walls) & Undermount**		
No. of bathers	↓	Imp. gallons	38
US gallons	45		

## STANDARD COLOR

		Included
White <b>01</b>	Biscuit <b>02</b>	

## OPTIONS (UPCHARGE APPLICABLE)

WASTE & OVERFLOW 16" x 35" <b>BOVER16-XX</b>		
Chrome <b>07</b>		\$
White <b>01</b> , Biscuit <b>02</b>		\$
Brushed Nickel <b>09</b> , Polished Nickel <b>10</b> , Oil-rubbed Bronze <b>11</b>		\$
SKIRT	MULTIFIT <b>BSMUL-XX</b>	SJ-1 <b>BSJ1-XX</b>
White <b>01</b> , Biscuit <b>02</b>	\$	\$
TILE FLANGE (specify right or left)		
Ordered with bath (not installed) <b>BTILEN</b>		\$
Factory-installed. Right <b>BTILER</b> , Left <b>BTILEL</b> , Special installation <b>BTILEO</b>		\$
IF REQUIRED BY CONSTRUCTION CODE		
16" x 35" Cable driven brass waste & overflow kit <b>BOVERBR-XX</b>		\$

\* The AromaCloud® is built into the deck (factory installed).  
 \*\* The AromaCloud® is not available with Undermount installation.

<b>TOTAL PRICE</b>	\$
--------------------	----



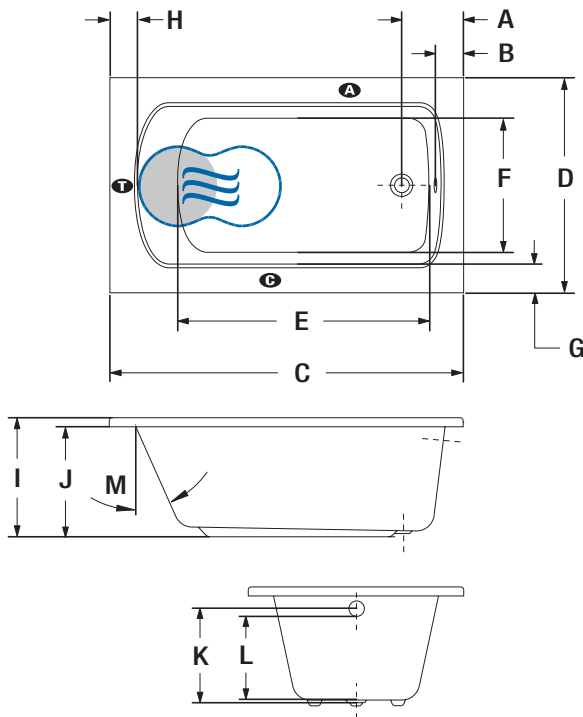
## MERIDIAN 50



Illuzio Chromotherapy

### INSTALLATION

- A** When tile flange is added, the AromaCloud® will automatically be installed on the opposite side of the flange.



LETTER	DESCRIPTION	MEASURE
A	Outside edge to center drain	10 7/8"
B	Outside edge to overflow	4 1/8"
C	Total length	60"
D	Total width	36 1/2"
E	Bathing well length	42 3/8"
F	Bathing well width	22 3/4"
G	Deck width	4 1/4"
H	Deck width at backrest end	4"
I	Height from bottom of bath to top deck	20 1/4"
J	Height from bottom of bath to bottom of lip	18 3/4"
K	Height from drain to center of overflow	15 7/8"
L	Maximum water level	14 1/4"
M	Slope of backrest	24°

- A** AromaCloud® position
- C** Control position when factory-installed (Mia® or DOT)
- T** Turbine position (TMU)
- Indicates heated backrest (TMU)
- ☞ Indicates WarmTouchShell® position (TUB)

### TECHNICAL SPECIFICATIONS

<b>Hot water supply required</b>	Should be 70% of water capacity of TUB or greater.
<b>Turbine</b>	Access to the pump must be at least 18" x 22". <b>Standard connection is 20 A, 120 V, 60 Hz, dedicated line with a Ground-Fault Circuit Interrupter (GFCI). For any additional option, a second line is needed 15 A, 120 V, 60 Hz, dedicated line with a GFCI. Air vent necessary: 2" x 4" minimum.</b>
<b>Others</b>	<ul style="list-style-type: none"> <li>- The GEYSAIR must always be accessible and connected to the hot water supply (provide access).</li> <li>- Optional tile flange (specify right or left).</li> <li>- If ordered with an installed tile flange, the control will be shipped separately.</li> </ul>

Our products must be installed by certified professionals only and according to our Owner's Manual as well as federal, provincial/state and local building codes and regulations ([www.bainultra.com/documentation/documentation](http://www.bainultra.com/documentation/documentation)).

<b>Cutting template</b>	# 90000006
<b>Approx. shipping weight</b>	124 lbs
<b>Turbine power</b>	550 W
<b>Air heater</b>	600 W
<b>WARRANTY</b>	
Controls-LED-Geysair*	5 years
Bath & turbine*	20 years

\* Some restrictions apply | [www.bainultra.com/warranty](http://www.bainultra.com/warranty)



The specifications shown indicate the outer edge dimension and the inside bathing capacity dimension measured at air jets' height. The manufacturer accepts a 1/4" [0.64 cm] variance. There are variations on each product and specifications are subject to change as we improve upon our product as required. The dimensions needed for site preparation and structure building will differ. BainUltra® assumes no responsibility for preparatory work done prior to the product being on site.