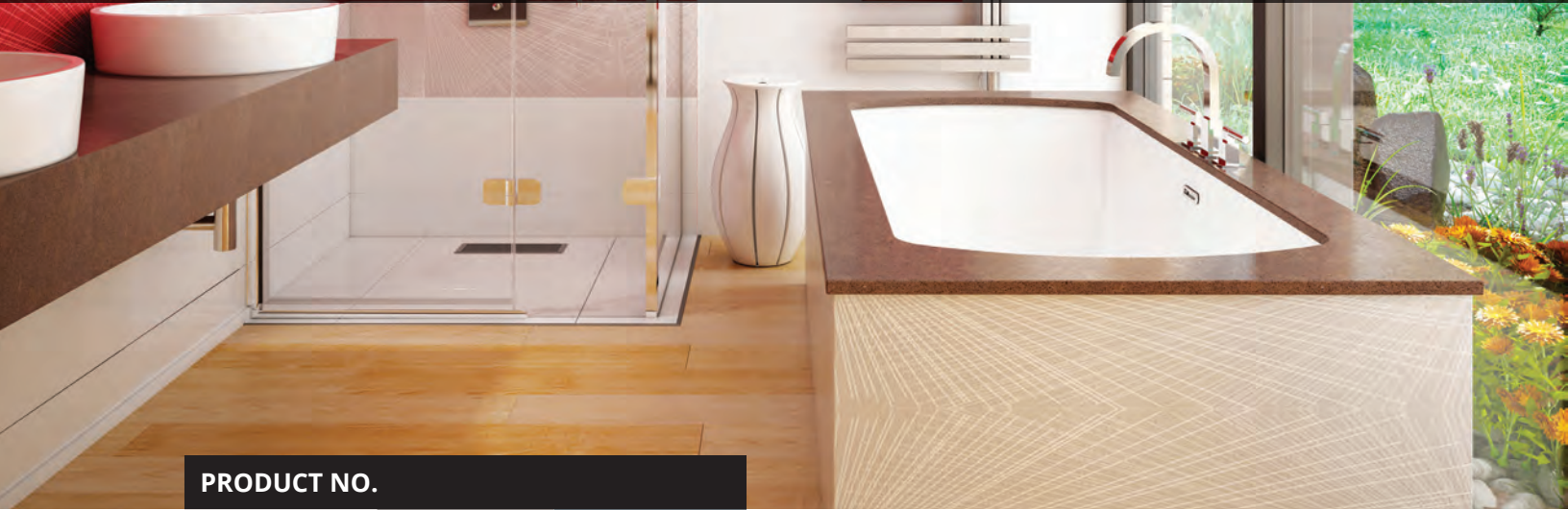


MONARCH 6636

66" x 36" x 20"

Monarch is a refined collection of therapeutic baths with distinctive Quartz deck surfaces, for a look that's noble and pure.



PRODUCT NO.

| DESCRIPTION | TMU | TUB |
|--------------------|--------------|--------------|
| Standard (S)* | BMOLRB00T-XX | BMOLRB00N-XX |
| Grand Luxury (GL)* | BMLLRB00T-XX | BMLLRB00N-XX |

| THERMOMASSEUR (TMU) Hydro-thermo massage • Air Jet system | S \$ | GL \$ |
|--|------|----------|
| Jets | | 42 |
| 1 heated backrest | | Included |
| MiaPlus® Control (not installed) | | Included |
| BU-Touch Control Application BUTOUCH NEW | \$ | |
| Geysair® | | Included |
| AromaCloud® | | N/A |
| Illuzio Chromatherapy BCHRO6 | \$ | |
| 2nd heated backrest (WTS-1 zone) BSHB | \$ | |

| TUB Soaker | S \$ | GL \$ |
|-------------------------------------|------|-----------------------|
| AromaCloud® | | N/A |
| Illuzio Chromatherapy BCHRO6 | \$ | |
| WarmTouchShell® BWTS | \$ | |
| DOT control | | Included with therapy |
| 2nd WarmTouchShell® BWTS2 | \$ | |

FEATURES

| | | | |
|-------------------|----------------------------|--------------|----|
| Installation type | Drop-in & Alcove (3 walls) | | |
| No. of bathers | | Imp. gallons | 42 |
| US gallons | 50 | | |

INTEGRATED WASTE & OVERFLOW **BOVERINI-XX**

White 01, Chrome 07, Brushed Nickel 09, Polished Nickel 10 Inst. & Incl.

STANDARD COLOR (inner shell)

| | | |
|--|----------|----------|
| | White 01 | Included |
|--|----------|----------|

QUARTZ DECK COLOR

| | | | | S* | GL* |
|--------------|---------|--------------|---------------|-------------|-------------|
| | | | | BDMO6636-XX | BDML6636-XX |
| | | | | Included | Included |
| Grey Expo 21 | Noka 22 | Jet Black 23 | Lagos Blue 24 | | |

OPTIONS (UPCHARGE APPLICABLE)

| QUARTZ DECK COLOR | S* | GL* |
|-------------------|-------------|-------------|
| | BDMO6636-XX | BDML6636-XX |

| | | | |
|--|----------------------|----|----|
| | Quasar Light 25 | \$ | \$ |
| | Piatra Grey 26 | \$ | \$ |
| | Bianco Drift 31 | | |
| | Woodlands 30 | | |
| | Statuario Maximus 29 | \$ | \$ |

FINISH (inner shell)

| | |
|---|----|
| UltraVelour Matte Finish (White only) BVEL | \$ |
|---|----|

INTEGRATED WASTE & OVERFLOW **BOVERINI-XX**

| | |
|---|----|
| Matte Black 19, Black Chrome 12, Satin Brass 18 | \$ |
|---|----|

WASTE & OVERFLOW 16" x 35" **BOVER16-XX**

| | |
|---|----|
| Chrome 07 | \$ |
| White 01 | \$ |
| Brushed Nickel 09, Polished Nickel 10, Oil-rubbed Bronze 11 | \$ |

QUARTZ SKIRT 6618 (66" x 18 7/8") **BSM6618-XX**

| | |
|---|----|
| Grey Expo 21, Noka 22 | \$ |
| Jet Black 23, Lagos Blue 24 | \$ |
| Quasar Light 25 | \$ |
| Piatra Grey 26, Bianco Drift 31, Woodlands 30 | \$ |
| Statuario Maximus 29 | \$ |

TILE FLANGE (specify front or back)

| | |
|--|----|
| Ordered with bath (not installed) BTILEN | \$ |
| Factory-installed. Front BTILEF , Back BTILEB , Special installation BTILEO | \$ |

IF REQUIRED BY CONSTRUCTION CODE

| | |
|---|----|
| Brass waste & overflow kit** BDRCOB | \$ |
| Brass waste kit** BDRCB | \$ |
| 16" x 35" Cable driven brass waste & overflow kit BOVERBR-XX | \$ |

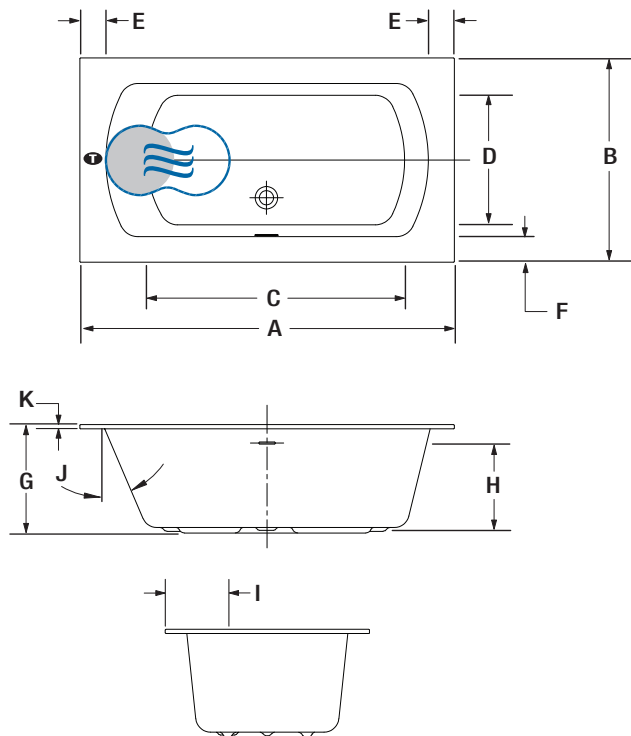


MONARCH 6636



Lagos Blue quartz deck

INSTALLATION



| LETTER | DESCRIPTION | MEASURE |
|--------|---|---------|
| A | Total length | 66" |
| B | Total width | 36" |
| C | Bathing well length (at height of jets) | 46 1/8" |
| D | Bathing well width (at height of jets) | 23 1/4" |
| E | Deck width (edges) | 4 3/4" |
| F | Deck width (sides) | 4 5/8" |
| G | Bath height | 19 5/8" |
| H | Height from drain to center of overflow | 15 1/2" |
| I | Outside edge to center drain | 11 3/8" |
| J | Slope of backrests | 23° |
| K | Quartz deck height | 3/4" |

- T** Turbine position (TMU)
- Indicates heated backrest (TMU)
- Indicates WarmTouchShell® position (TUB)

⚡ Don't forget that this model is available in White only with choice of quartz deck color. Don't forget to specify the finish of the integrated waste & overflow.
 * Standard: Quartz deck with seam. Grand Luxury: one piece Quartz deck.
 ** When ordered with integrated drain & overflow.

TOTAL PRICE \$

TECHNICAL SPECIFICATIONS

| | |
|----------------------------------|--|
| Hot water supply required | Should be 70% of water capacity of TUB or greater. |
| Turbine | Access to the pump must be at least 18" x 22". Standard connection is 20 A, 120 V, 60 hz, dedicated line with a Ground-Fault Circuit Interrupter (GFCI). For any additional option, a second line is needed 15 A, 120 V, 60 hz, dedicated line with a GFCI. |
| Others | <ul style="list-style-type: none"> - The GEYSAIR must always be accessible and connected to the hot water supply (provide access). - Control cannot be installed on the Quartz deck. - Optional tile flange (specify front or back). |

Our products must be installed by certified professionals only and according to our Monarch Installation Manual as well as federal, provincial/state and local building codes and regulations (www.bainultra.com/documentation/documentation).

| | |
|--------------------------------|----------|
| Approx. shipping weight | 253 lbs |
| Turbine power | 550 W |
| Air heater | 600 W |
| WARRANTY | |
| Controls-LED-Geysair* | 5 years |
| Quartz deck* | 15 years |
| Bath & turbine* | 20 years |

* Some restrictions apply | www.bainultra.com/warranty



The specifications shown indicate the outer edge dimension and the inside bathing capacity dimension measured at air jets' height. The manufacturer accepts a 1/4" [0.64 cm] variance. There are variations on each product and specifications are subject to change as we improve upon our product as required. The dimensions needed for site preparation and structure building will differ. BainUltra® assumes no responsibility for preparatory work done prior to the product being on site.