

ORIGAMI 6030 ORIGINAL SERIES

60" x 30" x 21"

The traditional Japanese art of folding paper into symbolic shapes is the inspiration behind the Origami Collection, which stands out for its clean lines and versatility.



PRODUCT NO.

| DESCRIPTION | TMU | TUB |
|-------------|--------------|--------------|
| | BOOBRI00T-XX | BOOBRI00N-XX |

| THERMOMASSEUR (TMU) | \$ |
|---|----------|
| Hydro-thermo massage • Air jet system | |
| Jets | 40 |
| 1 heated backrest | Included |
| MiaPlus® Control | Included |
| BU-Touch Control Application BUTOUCH NEW | \$ |
| Geysair® | Included |
| AromaCloud** BAROMAC | \$ |
| Illuzio Chromatherapy BCHRO6 | \$ |

| TUB Soaker | \$ |
|-------------------------------------|-----------------------|
| AromaCloud** BAROMAC | \$ |
| Illuzio Chromatherapy BCHRO6 | \$ |
| WarmTouchShell® BWTS | \$ |
| DOT control | Included with therapy |

FEATURES

| | | | |
|-------------------|--|--------------|----|
| Installation type | Drop-in, Alcove (3 walls) & Undermount | | |
| No. of bathers | ↓ | Imp. gallons | 38 |
| US gallons | 46 | | |

STANDARD COLOR

| | | |
|---|---|----------|
|  White 01 |  Biscuit 02 | Included |
|---|---|----------|

OPTIONS (UPCHARGE APPLICABLE)

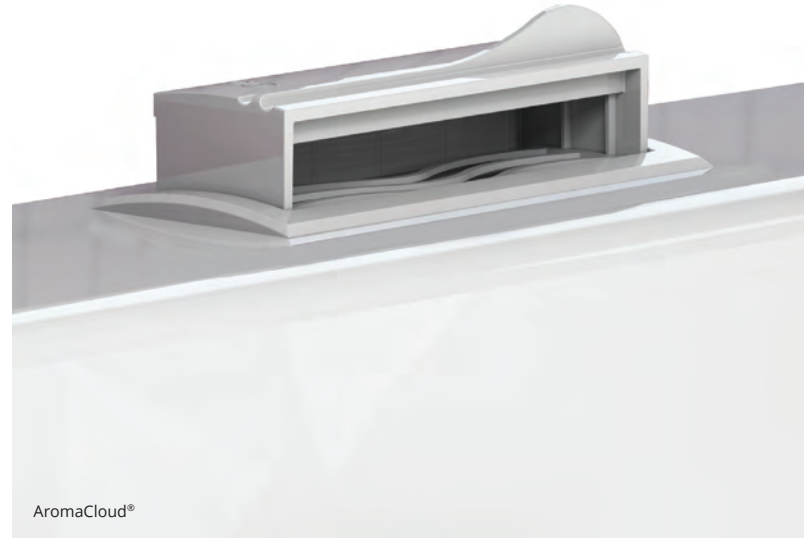
| FINISH | | |
|--|-----------------------------|-------------------------------|
| UltraVelour Matte Finish (White only) BVEL | | \$ |
| WASTE & OVERFLOW | 16" x 35" BOVER16-XX | INTE-GRATED BOVERIN-XX |
| Chrome 07 | \$ | \$ |
| White 01 , Biscuit 02 | \$ | \$ |
| Brushed Nickel 09 , Polished Nickel 10 | \$ | \$ |
| Oil-rubbed Bronze 11 | \$ | N/A |
| Black Chrome 12 , Matte Black 19 , Satin Brass 18 | N/A | \$ |
| SKIRT | MULTIFIT BSMUL-XX | SJ-1 BSJ1-XX |
| White 01 , Biscuit 02 | \$ | \$ |
| TILE FLANGE (specify right or left) | | |
| Ordered with bath (not installed) BTILEN | | \$ |
| Factory-installed. Right BTILER , Left BTILEL , Special installation BTILEO | | \$ |
| IF REQUIRED BY CONSTRUCTION CODE | | |
| Brass waste & overflow kit** BDRCOB | | \$ |
| Brass waste kit** BDRCB | | \$ |
| 16" x 35" Cable driven brass waste & overflow kit BOVERBR-XX | | \$ |

 * The AromaCloud® is built into the deck (factory installed).
 ** When ordered with integrated waste & overflow.

TOTAL PRICE \$



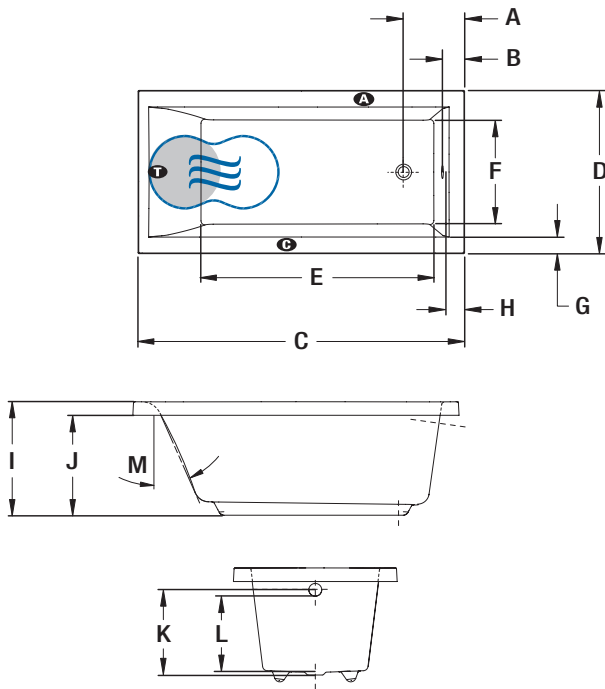
ORIGAMI 6030 ORIGINAL SERIES



AromaCloud®

INSTALLATION

A When tile flange is added, the AromaCloud® will automatically be installed on the opposite side of the flange.



| LETTER | DESCRIPTION | MEASURE |
|--------|---|---------|
| A | Outside edge to center drain | 11" |
| B | Outside edge to overflow | 3 5/8" |
| C | Total length | 60" |
| D | Total width | 30" |
| E | Bathing well length | 43 1/4" |
| F | Bathing well width | 19 5/8" |
| G | Deck width | 3 1/4" |
| H | Deck width | 3 1/4" |
| I | Height from bottom of bath to top deck | 21" |
| J | Height from bottom of bath to bottom of lip | 19" |
| K | Height from drain to center of overflow | 15 1/2" |
| L | Maximum water level | 13 7/8" |
| M | Slope of backrest | 24° |

- A** AromaCloud® position
- G** Control position when factory-installed (Mia® or DOT)
- T** Turbine position (TMU)
- Indicates heated backrest (TMU)
- ☞ Indicates WarmTouchShell® position (TUB)

TECHNICAL SPECIFICATIONS

| | |
|----------------------------------|--|
| Hot water supply required | Should be 70% of water capacity of TUB or greater. |
| Turbine | Access to the pump must be at least 18" x 22". Standard connection is 20 A, 120 V, 60 Hz , dedicated line with a Ground-Fault Circuit Interrupter (GFCI). For any additional option, a second line is needed 15 A, 120 V, 60 Hz , dedicated line with a GFCI. Air vent necessary: 2" x 4" minimum. |
| Others | - The GEYSAIR must always be accessible and connected to the hot water supply (provide access). - Optional tile flange (specify right or left). |

Our products must be installed by certified professionals only and according to our Owner's Manual as well as federal, provincial/state and local building codes and regulations (www.bainultra.com/documentation/documentation).

| | |
|--------------------------------|------------|
| Cutting template | # 90000048 |
| Approx. shipping weight | 128 lbs |
| Turbine power | 550 W |
| Air heater | 600 W |
| WARRANTY | |
| Controls-LED-Geysair* | 5 years |
| Bath & turbine* | 20 years |

* Some restrictions apply | www.bainultra.com/warranty



The specifications shown indicate the outer edge dimension and the inside bathing capacity dimension measured at air jets' height. The manufacturer accepts a 1/4" [0.64 cm] variance. There are variations on each product and specifications are subject to change as we improve upon our product as required. The dimensions needed for site preparation and structure building will differ. BainUltra® assumes no responsibility for preparatory work done prior to the product being on site.