

# SCALA 6638

66" x 38" x 25" (FREESTANDING)

Scala, this freestanding bath has an aesthetic refinement that translates into a contemporary version of the Rococo style bathtub on lion's feet.



## PRODUCT NO.

MODEL	TMU	TUB
Freestanding	BSCMOF00T-XX	BSCMOF00N-XX

THERMOMASSEUR (TMU)	
Hydro-thermo massage • Air jet system	\$
Jets	38
1 heated backrest & headrest	Included
MiaPlus® Control*	Included
BU-Touch Control Application <b>NEW</b>	Included
Geysair®	Included
AromaCloud®	N/A
Illuzio Chromatherapy <b>BCHRO6</b>	\$
2 <sup>nd</sup> heated backrest (WTS-1 zone) <b>BSHB</b>	\$

TUB	
Soaker	\$
AromaCloud®	N/A
Illuzio Chromatherapy <b>BCHRO6</b>	\$
WarmTouchShell® <b>BWTS</b>	\$
DOT control	Included with therapy
2 <sup>nd</sup> WarmTouchShell® <b>BWTS2</b>	\$

## FEATURES

Installation type	Freestanding		
No. of bathers	2	Imp. gallons	51
US gallons	62		

## INTEGRATED WASTE & OVERFLOW **BOVERINI-XX**

White <b>01</b> , Chrome <b>07</b> , Brushed Nickel <b>09</b> , Polished Nickel <b>10</b>	Installed & Included
---	----------------------

## FEET (specify finish) **BFEETSC-XX**

Chrome <b>07</b> , Brushed Nickel <b>09</b> , Polished Nickel <b>10</b>	Installed & Included
---	----------------------

## STANDARD COLOR

 White <b>01</b>	Included
---	----------

## OPTIONS (UPCHARGE APPLICABLE)

### FINISH

UltraVelour Matte Finish (White only) <b>BVEL</b>	\$
---	----

### ARMRESTS (2) **BGBSC-XX**

Chrome <b>07</b> , Brushed Nickel <b>09</b> , Polished Nickel <b>10</b>	\$
---	----

Matte Black <b>19</b> , Black Chrome <b>12</b> , Satin Brass <b>18</b>	\$
--	----

### INTEGRATED WASTE & OVERFLOW **BOVERINI-XX**

Matte Black <b>19</b> , Black Chrome <b>12</b> , Satin Brass <b>18</b>	\$
--	----

### FEET (specify finish) **BFEETSC-XX**

Matte Black <b>19</b> , Black Chrome <b>12</b> , Satin Brass <b>18</b>	\$
--	----

### ISLAND TUB DRAIN™\*\*


Island Tub Drain™ <b>BISLDD</b>	\$
---------------------------------	----

Cast Iron Island Tub Drain™ <b>BISLDDCI</b>	\$
---	----

### IF REQUIRED BY CONSTRUCTION CODE

Brass waste & overflow kit <b>BDRCOB</b>	\$
--	----

Brass waste kit <b>BDRCB</b>	\$
------------------------------	----

 Don't forget that this model is available in **White only**. Don't forget to specify the **finish of the integrated waste & overflow, feet and armrests**.  
 \* Control and faucet cannot be installed on the deck of the bath.  
 \*\* An Island Tub Drain™ is required when there is **no access under the bath**.

**TOTAL PRICE** \$



**SCALA 6638 (FREESTANDING)**

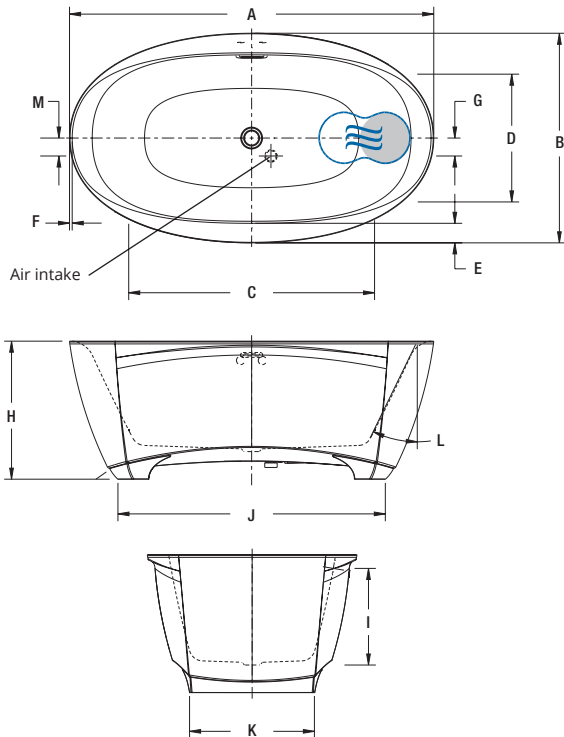


Armrest (2), offered in option



Feet (shown in Satin Brass)

**INSTALLATION**



LETTER	DESCRIPTION	MEASURE
A	Total length	66"
B	Total width	38"
C	Bathing well length	44 1/2"
D	Bathing well width	23 1/8"
E	Deck width at sides	3 1/2"
F	Deck width at ends	1/2"
G	Center drain to air intake	3 1/4"
H	Total height to headrest	25"
I	Maximum water level	17 1/2"
J	Base length	48 3/8"
K	Base width	22 5/8"
L	Slope of backrests	26°
M	Center drain to center air intake	3 1/4"

- Indicates heated backrest (TMU)
- ⊕ Indicates WarmTouchShell® position (TUB)

**TECHNICAL SPECIFICATIONS**

<b>Hot water supply required</b>	Should be 70% of water capacity of TUB or greater.
<b>Turbine</b>	Access to the pump must be at least 18" x 22". <b>Standard connection is 20 A, 120 V, 60 Hz</b> , dedicated line with a Ground-Fault Circuit Interrupter (GFCI). <b>For any additional option, a second line is needed 15 A, 120 V, 60 Hz</b> , dedicated line with a GFCI. Air vent necessary: 2" x 4" minimum.
<b>Others</b>	<ul style="list-style-type: none"> <li>- The GEYSAIR must always be accessible and connected to the hot water supply (provide access).</li> <li>- Faucet must be freestanding or wall-mounted.</li> <li>- The turbine must be <b>remotely installed</b>.</li> <li>- TMU: Control must be wall-mounted.</li> <li>- TUB: DOT control will be installed on TUB.</li> </ul>

Our products must be installed by certified professionals only and according to our Owner's Manual as well as federal, provincial/state and local building codes and regulations ([www.bainultra.com/documentation/documentation](http://www.bainultra.com/documentation/documentation)).

<b>Cutting template</b>	# 90000077
<b>Approx. shipping weight</b>	250 lbs
<b>Turbine power</b>	550 W
<b>Air heater</b>	600 W
<b>WARRANTY</b>	
Controls-LED-Geysair*	5 years
Bath & turbine*	20 years

\* Some restrictions apply | [www.bainultra.com/warranty](http://www.bainultra.com/warranty)



The specifications shown indicate the outer edge dimension and the inside bathing capacity dimension measured at air jets' height. The manufacturer accepts a 1/4" [0.64 cm] variance. There are variations on each product and specifications are subject to change as we improve upon our product as required. The dimensions needed for site preparation and structure building will differ. BainUltra® assumes no responsibility for preparatory work done prior to the product being on site.