

# THALASSA 55

66" x 33" x 19"

Thalassa means "the sea," where all states of being co-mingle.



## PRODUCT NO.

MODEL	TMU	TUB
	BTHJRB00T-XX	BTHJRB00N-XX

THERMOMASSEUR (TMU)	
Hydro-thermo massage • Air jet system	\$
Jets	40
1 heated backrest	Included
Mia® Control	Included
BU-Touch Control Application <b>BUTOUCH NEW</b>	\$
Geysair®	Included
AromaCloud®** <b>BAROMAC</b>	\$
Illuzio Chromatherapy <b>BCHRO6</b>	\$

TUB	
Soaker	\$
AromaCloud®** <b>BAROMAC</b>	\$
Illuzio Chromatherapy <b>BCHRO6</b>	\$
WarmTouchShell® <b>BWTS</b>	\$
DOT control	Included with therapy

FEATURES			
Installation type		Drop-in & Alcove (3 walls)	
No. of bathers	↓	Armrests	2
US gallons	50	Grab bars (color match)	2
Imp. gallons	41		
STANDARD COLOR			
		Included	
White 01	Biscuit 02		

## OPTIONS (UPCHARGE APPLICABLE)

WASTE & OVERFLOW 16" x 35" <b>BOVER16-XX</b>		
Chrome <b>07</b>		\$
White <b>01</b> , Biscuit <b>02</b>		\$
Brushed Nickel <b>09</b> , Polished Nickel <b>10</b> , Oil-rubbed Bronze <b>11</b>		\$
CONTROL (TMU only)		
MiaPlus®** <b>BMIAP1-XX</b>		\$
SKIRT	MULTIFIT <b>BSMUL-XX</b>	SJ-1 <b>BSJ1-XX</b>
White <b>01</b> , Biscuit <b>02</b>	\$	\$
CLEAR ACRYLIC GRAB BARS <b>BGBG10-XX</b>		
With Chrome <b>07</b> or Brushed Nickel <b>09</b> inserts		\$
TILE FLANGE (specify right or left)		
Ordered with bath (not installed) <b>BTILEN</b>		\$
Factory-installed. Right <b>BTILER</b> , Left <b>BTILEL</b> , Special installation <b>BTILEO</b>		\$
IF REQUIRED BY CONSTRUCTION CODE		
16" x 35" Cable driven brass waste & overflow kit <b>BOVERBR-XX</b>		\$



\* The AromaCloud® is built into the deck (factory installed).  
 \*\* The MiaPlus® Control is Included when purchasing Chromatherapy on a TMU.

<b>TOTAL PRICE</b>	\$
--------------------	----



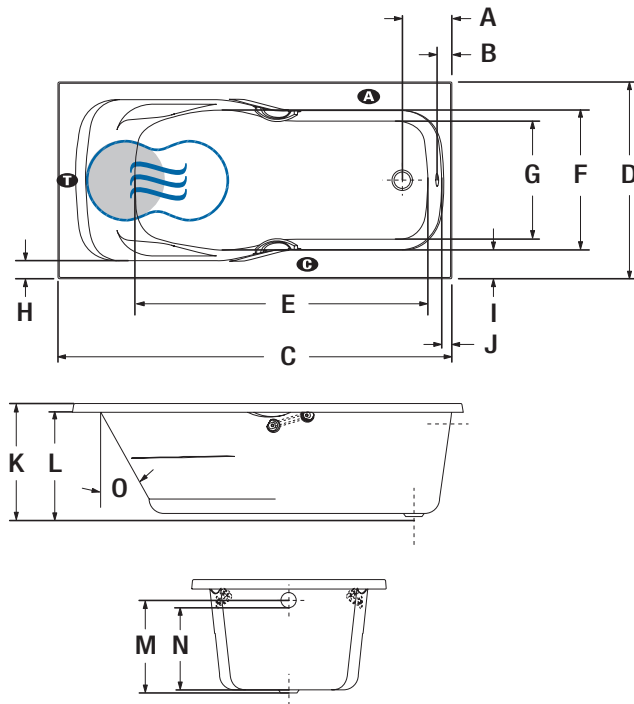
## THALASSA 55



Acrylic grab bar

### INSTALLATION

- A** When tile flange is added, the AromaCloud® will automatically be installed on the opposite side of the flange.



LETTER	DESCRIPTION	MEASURE
A	Outside edge to center drain	8"
B	Outside edge to overflow	2 1/4"
C	Total length	65 3/4"
D	Total width	32 7/8"
E	Bathing well length	49"
F	Bathing well width at seat area	23 1/8"
G	Bathing well width at foot area	19 7/8"
H	Deck width (narrowest point)	3 1/4"
I	Deck width (widest point)	5"
J	Deck width at drain end	2 1/8"
K	Height from bottom of bath to top deck	19 1/2"
L	Height from bottom of bath to bottom of lip	18"
M	Height from drain to center of overflow	15 5/8"
N	Maximum water level	13 3/4"
O	Slope of backrest	29°

- A** AromaCloud® position
- G** Control position when factory-installed (Mia® or DOT)
- T** Turbine position (TMU)
- Indicates heated backrest (TMU)
- ☄ Indicates WarmTouchShell® position (TUB)

### TECHNICAL SPECIFICATIONS

<b>Hot water supply required</b>	Should be 70% of water capacity of TUB or greater.
<b>Turbine</b>	Access to the pump must be at least 18" x 22". <b>Standard connection is 20 A, 120 V, 60 hz</b> , dedicated line with a Ground-Fault Circuit Interrupter (GFCI). <b>For any additional option, a second line is needed 15 A, 120 V, 60 hz</b> , dedicated line with a GFCI. Air vent necessary: 2" x 4" minimum.
<b>Others</b>	- The GEYSAIR must always be accessible and connected to the hot water supply (provide access). - Optional tile flange (specify right or left).

Our products must be installed by certified professionals only and according to our Owner's Manual as well as federal, provincial/state and local building codes and regulations ([www.bainultra.com/documentation/documentation](http://www.bainultra.com/documentation/documentation)).

<b>Approx. shipping weight</b>	126 lbs
<b>Turbine power</b>	550 W
<b>Air heater</b>	600 W
<b>WARRANTY</b>	
Controls-LED-Geysair*	5 years
Bath & turbine*	20 years

\* Some restrictions apply | [www.bainultra.com/warranty](http://www.bainultra.com/warranty)



The specifications shown indicate the outer edge dimension and the inside bathing capacity dimension measured at air jets' height. The manufacturer accepts a 1/4" [0.64 cm] variance. There are variations on each product and specifications are subject to change as we improve upon our product as required. The dimensions needed for site preparation and structure building will differ. BainUltra® assumes no responsibility for preparatory work done prior to the product being on site.