

OWNER'S MANUAL

Important information for the installer and the owner

**INCLUDED: THERMOMASSEUR® INSTALLATION
USING THE MIA® & MIAPLUS® CONTROLS (Bath with air jets)
OR DOT CONTROLS (Bath without air jets)**

+ REGISTER YOUR WARRANTY ONLINE www.bainultra.com/warranty

 BainUltra®

IMPORTANT: TO BE KEPT BY THE OWNER

TABLE OF CONTENT

SAFETY INSTRUCTIONS	4
THERMOMASSEUR®	
PARTS & TOOLS	5
SITE PREPARATION	6 - 7
THERMOMASSEUR® INSTALLATION	8 - 10
PLUMBING INSTALLATION	11 - 13
AMMA® FREESTANDING & BALNEO®	
PARTS & TOOLS	14
AMMA FREESTANDING & BALNEO SITE PREPARATION	15
INSTALLATION	16
BALNEO - NAOS & SANOS INSTALLATION	17 - 18
BALNEO - CELLA INSTALLATION	19
TURBINE WITH GEYSAIR	
TECHNICAL SPECIFICATIONS.....	20
ELECTRICAL INSTALLATION & PLUMBING.....	21
TURBINE WITH GEYSAIR & AROMACLOUD ELECTRICAL INSTALLATION	22 - 23
REMOTE MOUNTING INSTALLATION.....	24 - 25
ELECTRICAL INSTALLATION FOR BATHS without air jet system	26
SKIRTS INSTALLATION	
GENERAL INSTRUCTIONS.....	27
PARTS & TOOLS	28
SJ1	29 - 30
SJ3-SE.....	31 - 33
MERIDIAN DUO SKIRT INSTALLATION	34
MULTIFIT SKIRT (ADJUSTABLE).....	35 - 36
DOT CONTROLS	
INSTALLATION FOR BATHS WITHOUT AIR JETS	37 - 38
THE MIA® & MIAPLUS® CONTROLS	
INSTALLATION FOR THERMOMASSEURS.....	39
MIA USER GUIDE.....	40
MIAPLUS USER GUIDE.....	41 - 48
AROMACLOUD®	49 - 50
MAINTENANCE	51 - 53
TROUBLESHOOTING	54 - 56
WARRANTY	57
DRILLING TEMPLATES (MIA, MIAPLUS)	59 - 61

956, chemin Olivier
Lévis (Québec)
G7A 2N1

T 418.831.7701

1.800.463.2187

F 418.831.6623

1.800.382.8587

info@bainultra.com

www.bainultra.com

Printed in Canada. Copyright © February 2023 Bains Ultra Inc. All rights reserved. 45200001

Some products, specifications, and services mentioned in this manual are described in pending patent applications or are protected by patents.

IMPORTANT SAFETY INSTRUCTIONS

PERTAINING TO RISKS OF FIRE, ELECTROCUTION OR PERSONAL INJURY

READ AND FOLLOW ALL INSTRUCTIONS • SAVE THESE INSTRUCTIONS


WARNINGS

- Risk of hyperthermia; people using medication and/or having an adverse medical history should consult a physician before using a Hydro-thermo massage[®] bathtub equipped with a heater.
- Risk of hyperthermia and possible drowning: do not use a Hydro-thermo massage bathtub equipped with heater immediately following strenuous exercise.
- Risk of fetal injury; pregnant or possibly pregnant women should consult a physician before using a Hydro-thermo massage bathtub equipped with a heater.
- Risk of accidental injury or drowning; do not use drugs or alcohol before or during the use of a Hydro-thermo massage bathtub equipped with a heater.
- Use this ThermoMasseur bath only for its intended purposes or as described in this manual. Use only accessories or devices recommended by the manufacturer.
- Risk of hyperthermia and possible drowning. Check and adjust water temperature before use. Water temperature exceeding 100°F (38°C) may be injurious to your health.
- To reduce the risk of injury, as with any other conventional bath, do not allow children or physically impaired people to use this unit unless they are closely supervised at all times.
- To avoid injury, exercise care when entering or exiting the ThermoMasseur[®].
- The Geysair[®] warm air jet system should always be connected to the hot water intake. If it is not the case, then, the Geysair should be deactivated via the bath control.

RISK OF ELECTRICAL SHOCK

- Disconnect electric power before servicing.
- Do not permit electrical appliances (hair dryer, lamp, telephone, radio, television, etc.) within 5' (1,5 m) of the ThermoMasseur.
- Never use an electronic device (mobile phone, tablet, etc.) connected to an electrical outlet when you are in the bathtub.
- Before using the ThermoMasseur, its exterior construction (podium or skirting) should be finished so that a bather cannot accidentally come in contact with electrical components (turbine and power module).
- For indoor use only.

ELECTRICAL CONNECTIONS:

- Never drop or insert objects into any openings.
- The ThermoMasseur must be connected only to a supply circuit that is protected by a 20 amp class A ground fault circuit interrupter (GFCI). Optional therapies such as Chromatherapy and/or 2nd heated backrest and/or WarmTouchShell[®] and/or AromaCloud[®] must be connected to a supply circuit that is protected by a 15 amp class A ground fault circuit interrupter (GFCI). This interrupter is supplied by a certified electrician and must be tested on a regular basis in accordance with manufacturer's instructions. The GFCI ground must be connected. If defective, do not use the ThermoMasseur. Disconnect immediately and call a certified electrician.
- Use 12 AWG (or greater) copper conductors that resist temperatures of at least 194°F (90°C).
- Canada only: for permanently connected units. A green-colored terminal (or a wire connector marked g., gr., ground or grounding) is provided within the terminal compartment (not applicable if unit supplied with an electric plug).
- To reduce the risk of electrocution, connect this terminal or connector to the grounding terminal of your electric service or supply panel with conductor equivalent in size to the circuit conductors supplying the equipment and be 12 AWG or more.
- All electrical connections must be carried out by a certified electrician and must respect federal, provincial/state, and local building codes and regulations.
- Install in accordance with manufacturer's installation instructions.
- For ThermoMasseur baths using remote turbine installation (not mounted on the bath), grounding continuity must be tested between the bath grounding terminal  and the bath power supply. Failure to perform the grounding continuity test could result in serious personal injury.

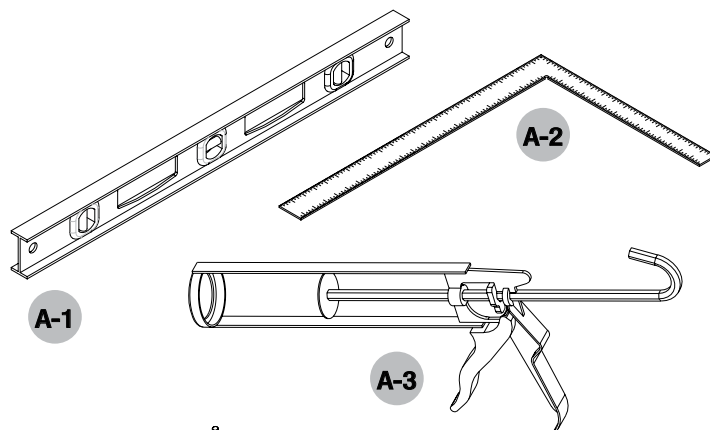
WATER LEAK TEST

- Once plumbing is fully installed and before beginning any other work, fill the bath with water to overflow level and wait 30 minutes. Check all plumbing hook-ups and bath for leaks. BainUltra is not responsible for any water damage caused by improper installation (see Warranty section).

THERMOMASSEUR® PARTS AND TOOL

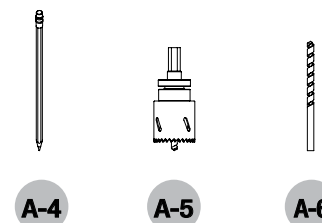
A. PARTS AND TOOLS

A-1	24" Level
A-2	24" Square
A-3	Caulking gun
A-4	Pencil
A-5	Hole saw
A-6	1/16" drill bit



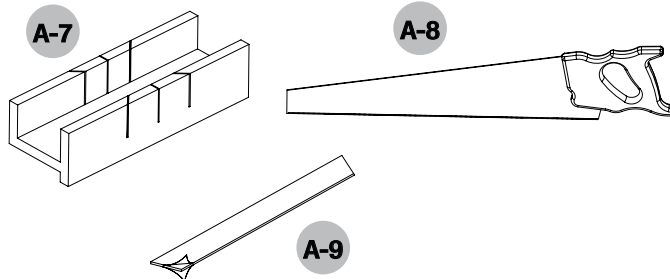
TILE FLANGE INSTALLATION

A-7	Miter box (angle cutter)
A-8	Fine tooth saw
A-9	Double sided tape



MOLDED TILE FLANGE INSTALLATION

A-10	Drill
A-11	1 1/64" drill bit
A-12	82° routing bit
A-13	Screws
A-14	Appropriate screwdriver

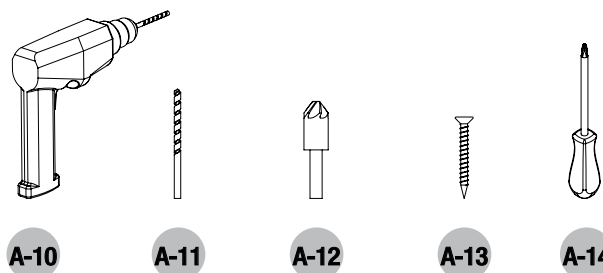


SKIRT INSTALLATION

See skirt section.

OTHER NECESSARY ITEMS

- Wood shims
- Silicone



IMPORTANT • Before starting installation, ensure that parts received match your order. For all questions, call BainUltra at 1 800 463-2187.

THERMOMASSEUR® SITE PREPARATION

FAUCET INSTALLATION

- See the manufacturer's technical specifications for faucets location and plan the water supply accordingly.
- Position drain according to manufacturer's specifications.

BEDDING

Before installing, ensure that the floor underneath the bath can support 1,500 lbs (680 kg). The bath may sit directly on the floor. However, the bath may also be installed on a bed of concrete. For this type of installation, it is recommended that you insulate the concrete between two sheets of plastic, one on floor and the other underneath bath.

SERVICE ACCESS AND VENTILATION

- A service access is necessary. Minimum dimensions are: 22" x 18" (55 cm x 46 cm) to properly reach all electrical components of the system.
- An air vent is also necessary. Minimum dimensions are: 2" x 4" (5 cm x 10 cm) to ensure proper functioning of the turbine. The service access panel is often the best place to install the air vent.

ISLAND TUB DRAIN

- The ITD is strongly recommended when you have no access under the floor.

TECHNICAL SPECIFICATIONS

There is a technical specification sheet for each BainUltra ThermoMasseur® which includes information such as necessary dimensions of site before installation.

If you do not already have the technical specifications, download it from BainUltra® Web site:

www.bainultra.com or call us at: **1 800 463-2187**.

TURBINE - REMOTE INSTALLATION

- A 1 ½ inch ID pipe has to run from the tub, back to the turbine location. This pipe can be PVC Tigerflex (spa hose) or rigid PVC or ABS
- Maximum distance is 15 feet from the tub, indoors, in a room temperate setting (not outdoors or in a non-temperature controlled area)
- Minimum size for an enclosure for the turbine: 16" x 16" x 16"
- Make sure to leave access for servicing needs
- The enclosure should have a minimum 4x2 inch opening so the turbine works properly. Not doing so will starve the blower of air. It will eventually fail and void its warranty
- A 20 Amp GFCI (12AWG) 120V dedicated line is needed for the turbine (Geysair® is powered by the turbine). If you have additional options on the bath (one or more) a second dedicated line is needed, 15 Amp GFCI 120V (14AWG).

See page 24 for detailed instructions.

THERMOMASSEUR® SITE PREPARATION

GEYSAIR® (WARM AIR JET SYSTEM)

- **Geysair®** is installed on the tub from the factory and **must not be relocated**. It gets its power from the turbine. So per your local electrical code, you may have to use a solid core wire (14AWG) and run it in between the blower location and the bathtub. This may require a proper conduit for high voltage wires if installed in a cement slab for example.
- The Geysair must be connected to the same hot water line as the bathtub faucets. It uses a 3/8 compression thread.

LED (CHROMATHERAPY)

- The power modules (inMix module, Litestreme) have to be installed next to the turbine.
- The wires should run from the back of the bathtub to the turbine location.

LED: Low voltage for the Chromotherapy .

ELECTRONIC CONTROL (KEYPAD)

- A large majority of our freestanding tubs require that the keypad be installed on the wall and not on the tub. You can use silicone to adhere it to your wall instead of the bracket and wing nuts.
- The keypad should be in line of sight from the tub sitting position.
- The keypad (low voltage wires) has a 15 foot cable that has to run from the wall position back to the turbine. Extensions are available if needed.
- You can use a conduit to feed these wires as well if needed.



WARNING

- The space surrounding the turbine air intake must be large enough and free of debris for proper airflow and be at a temperature between 72°F (20°C) and 86°F (30°C) for optimal performance.

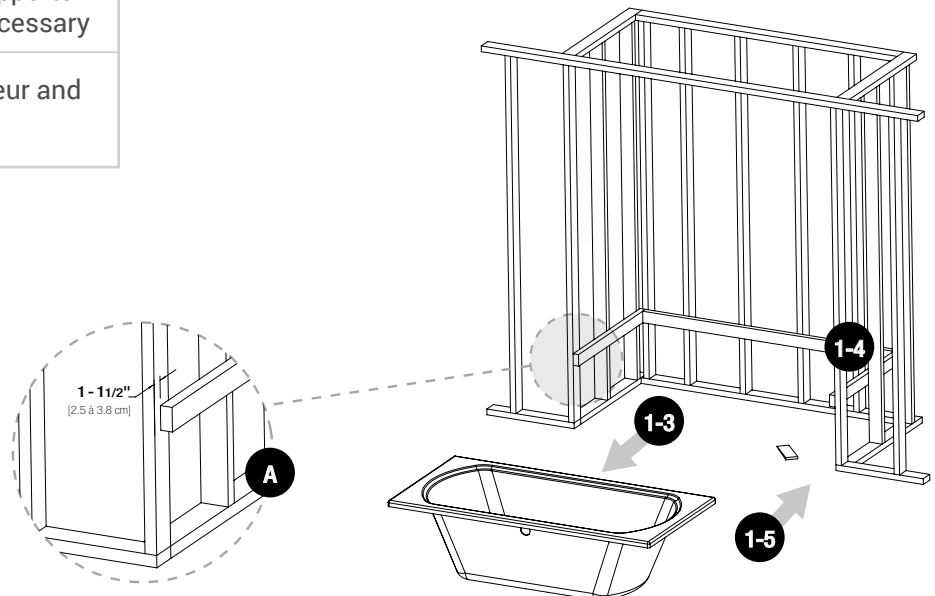
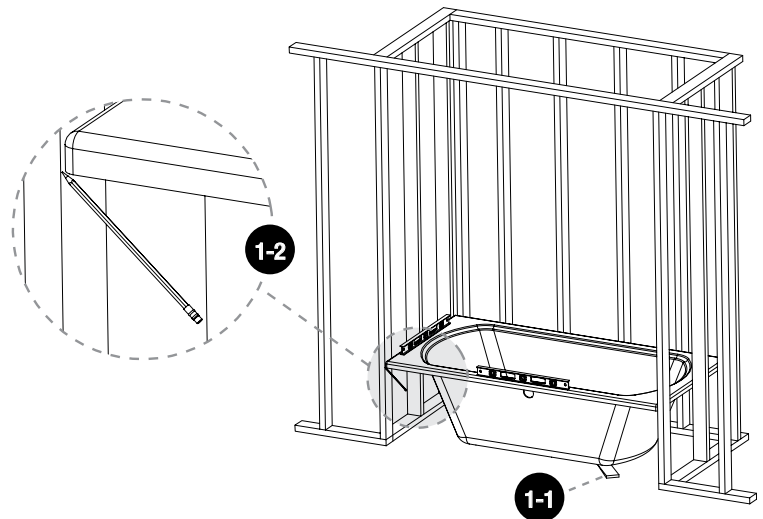
THERMOMASSEUR® INSTALLATION

Install to permit access for servicing.
The following instructions apply to both rectangular and corner baths.

The BainUltra ThermoMasseur® is almost as easy to install as a conventional bath. The following instructions outline steps to follow for the main types of installation.

1. ALCOVE INSTALLATION (BETWEEN 2 OR 3 WALLS)

1-1	Place level lengthwise on decking of the ThermoMasseur® and adjust by placing shims under ThermoMasseur where necessary. Repeat exercise width wise on the bath. Glue shims in place with a drop of silicone.
1-2	Mark position of wooden supports to be attached to the wall by tracing a line underneath the deck of the bath.
1-3	Pull the ThermoMasseur out.
1-4	Align the wooden supports [at least 1 1/2" (3.8 cm) thick] with markings and nail into place on the wall studs. Plan for notch on wooden supports for installation of a skirt if necessary
1-5	Reposition the ThermoMasseur and verify that it is level.



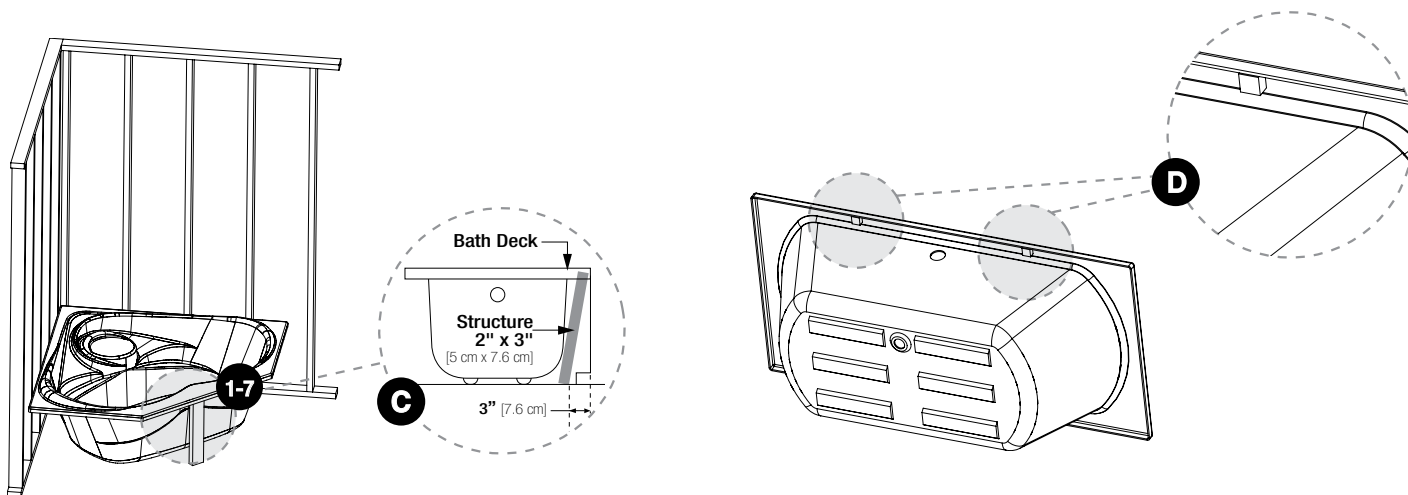
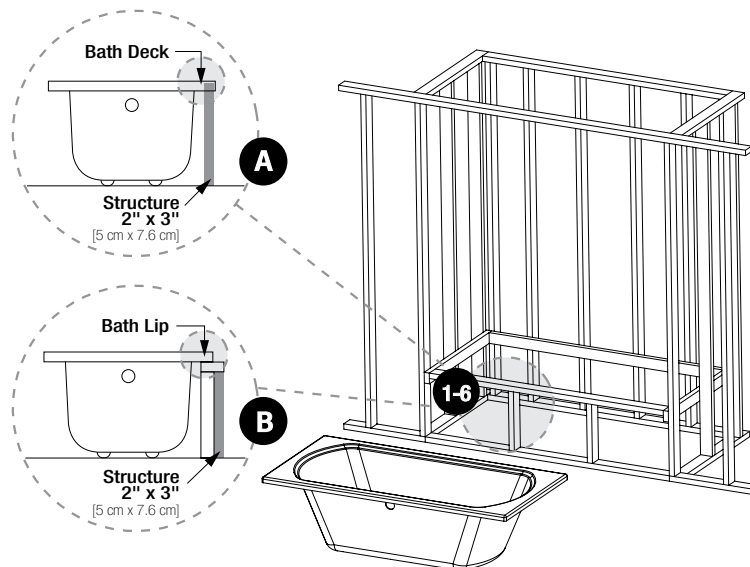
- IMPORTANT**
- The ThermoMasseur must sit entirely on its base with the lip supported by a wooden structure.
 - The ThermoMasseur must be level.
 - The ThermoMasseur is molded with an integrated slope towards the drain.
If decking around the ThermoMasseur is level, the bath will drain accordingly.

THERMOMASSEUR® INSTALLATION

1. ALCOVE INSTALLATION (BETWEEN 2 OR 3 WALLS) (cont'd)

- 1-6 To finish the front of the bath (with ceramic tile or other materials), a 2" x 3" (5 cm x 7.6 cm) structure is necessary to support the ThermoMasseur®. Place underneath the deck (A) or the edge of the bath (B) depending on the desired finish.
- 1-7 BainUltra skirt installation requires a single 2" x 3" (5 cm x 7.6 cm) support in the front of the ThermoMasseur. Tilt the base of the support 3" (7.6 cm) inwards and upwards. Place the top of the support behind the two retainer blocks (D) of the skirt placed underneath the lip of the ThermoMasseur (C).

Instructions for installing skirts and retainer blocks (not factory-installed), can be found in the Skirt Installation section of this manual



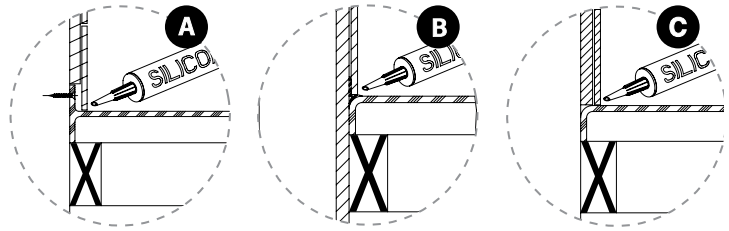
IMPORTANT • If the ThermoMasseur and the skirt were not ordered together, the retainer blocks will not be on the bath. As such, leave a 1/4" (0.6 cm) between the 2" x 3" (5 cm x 7.6 cm) support structure and the lip of the bath so that the top of the skirt may be inserted under the deck.

THERMOMASSEUR® INSTALLATION

TILE FLANGE

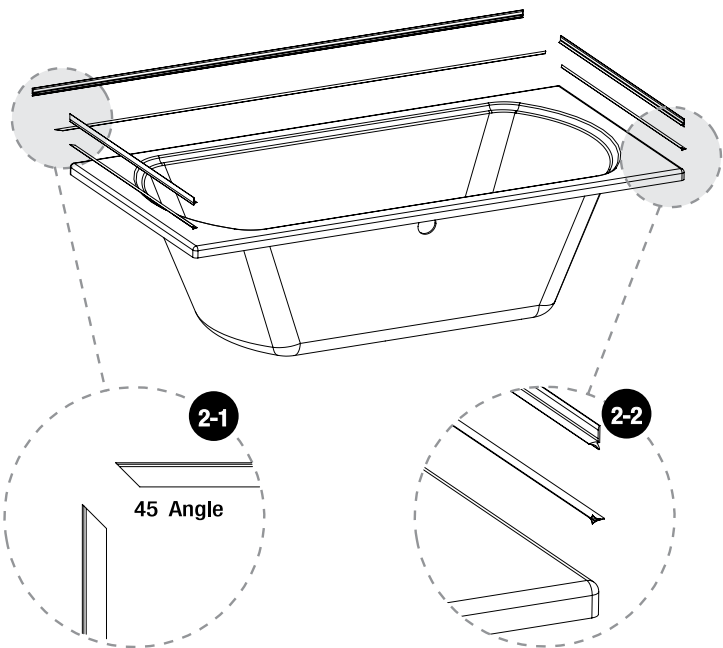
A tile flange is recommended for alcove installations (between 2 or 3 walls). Some bath models may include a molded tile flange, while others come with a tile flange not installed or factory installed.

- A** Molded tile flange (secure the flange to the wall while supporting from beneath).
- B** Factory or customer-installed tile flange.
- C** No tile flange.



2. TILE FLANGE INSTALLATION

2-1	Using a miter box (angle cutter) and a fine-tooth saw, cut 3 pieces of tile flange to desired lengths. Cut 45° angles where necessary.
2-2	Apply double-sided tape along the entire length of the flange. Stick the tile flange to the deck.
2-3	Apply silicone.



- IMPORTANT**
- A factory-installed tile flange does not replace a silicone joint between tiling and the ThermoMasseur®.
 - The surfaces that come into contact with double-sided tape must be cleaned.

THERMOMASSEUR® PLUMBING INSTALLATION

DRILLING ACRYLIC FOR FAUCETS

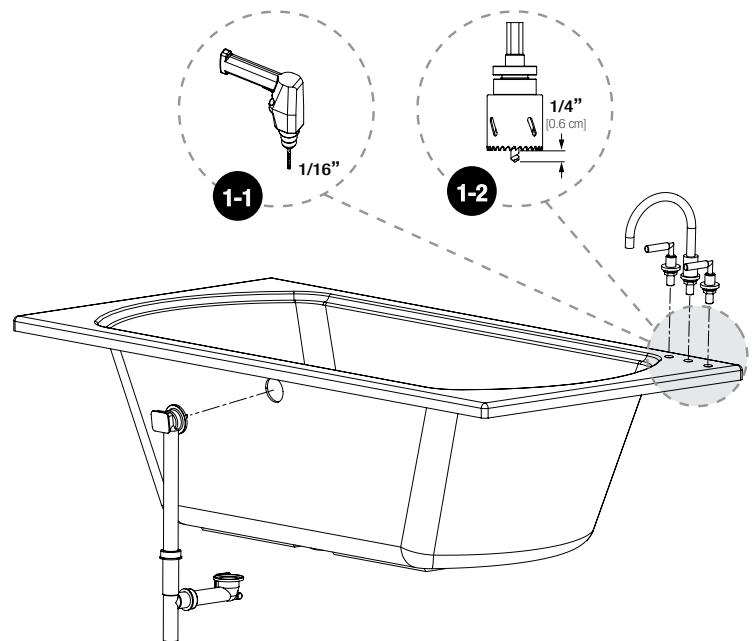
The drain and overflow openings are factory-drilled. However, drilling may be necessary to install faucets. Drilling acrylic is a very delicate operation.

LEAK TEST

Once the plumbing installation is complete and before tile or any other related work begins, fill the bath to the overflow and wait thirty minutes. Check all plumbing hook-ups and bath for leaks.

BainUltra is not responsible for any water damage caused by leaks due to improper installation (see WARRANTY section).

All plumbing installations must be carried out by a certified plumber. Installation of a ThermoMasseur® is the same as for regular acrylic baths. Pay close attention to the following when installing the ThermoMasseur :



1. DRILLING	
1-1	Drill a 1/16" guide hole before using the hole saw.
1-2	Use a hole saw in good condition to avoid accidental scratches. The center guide bit should extend 1/4" (0.6 cm) for correct drill positioning.

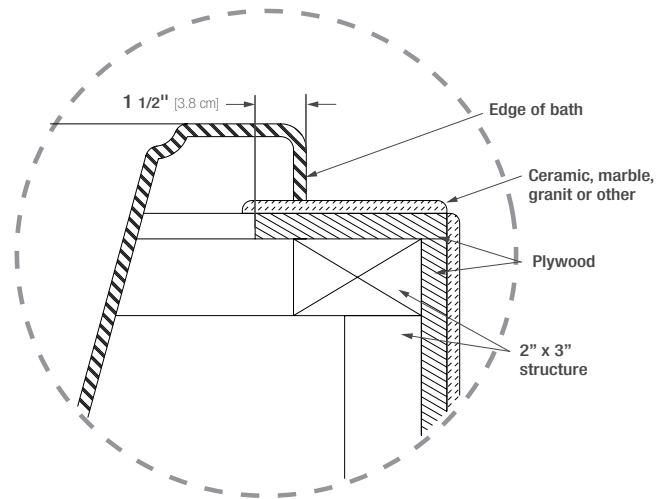
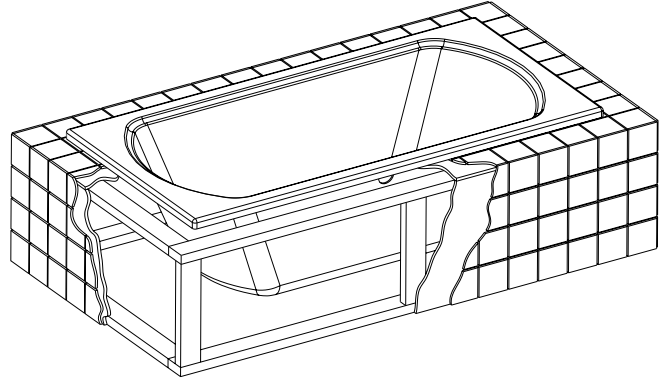
IMPORTANT

- Do not remove the protective plastic film (peel coat) on the bath and place a drop-cloth in the ThermoMasseur during installation to protect acrylic.
- To avoid drilling in an air intake zone or, an electric component, always check under deck before drilling.
- Drill openings slightly larger than actual faucet size. This is to avoid any possible cracking or other damage to the acrylic.
- When installing faucets, do not over-tighten fittings, as this may damage the acrylic.
- This type of damage is not covered by the warranty.
- Drill at medium speed and do not apply pressure to drill; let the drill do the work.
- The temperature of the water heater should not exceed preset and/or recommended levels by the manufacturer. This may cause a thermal shock to the acrylic and will not be covered by the warranty.

THERMOMASSEUR® PLUMBING INSTALLATION

1. DROP-IN INSTALLATION

1-1	Prepare the site to connect the plumbing and turbine.
1-2	Build the (2" x 3") wooden structure taking into account the thickness of the ceramic tiles and the plywood as well as the height of the bath. NOTE: Plan air intake for turbine.
1-3	Secure plywood into place with screws around and above structure.
1-4	Cut inside 1 1/2" of the outside dimensions of the tub.
1-5	Ensure bath is levelled and that it fits properly in cutout. NOTE: Protect turbine and accessories as you insert bath.
1-6	Install desired finishing materials on top and perimeter of tub box (ceramic-tiles, granit, marble or other) .
1-7	Set bath back into place and conduct plumbing and turbine connection.



* See specification sheet of bath for exceptions.

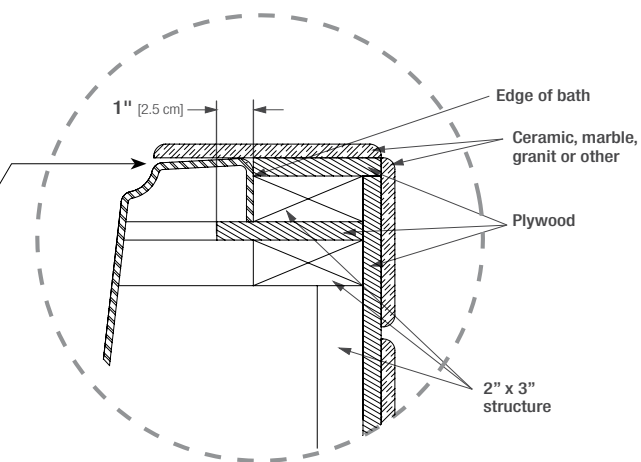
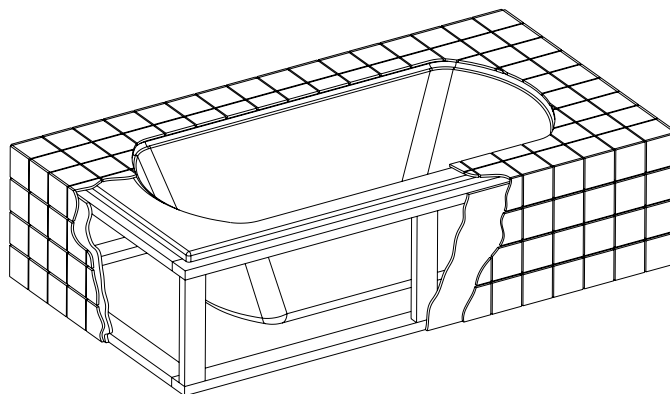
NOTE • Baths with AromaCloud® factory installed by BainUltra may require an additional cutout on the deck for the AromaCloud housing. This extra cutout is required when the housing is less than 1.5 inch from the edge of the bath.

IMPORTANT • The ThermoMasseur must sit entirely on its base with the lip supported by a wooden structure.
• The ThermoMasseur must be level.
• The ThermoMasseur is molded with an integrated slope towards the drain. If decking around the ThermoMasseur is level, the bath will drain accordingly.

THERMOMASSEUR® PLUMBING INSTALLATION

1. UNDERMOUNT INSTALLATION

1-1	Prepare the site to connect the plumbing and turbine.
1-2	Build the (2" x 3") levelled wooden structure with plywood as in Detail A, taking into account the thickness of the ceramic tiles and the plywood as well as the height of the bath. NOTE: Plan air intake for turbine.
1-3	Ensure bath is levelled. NOTE: Protect turbine as you insert bath.
1-4	Connect plumbing and turbine .
1-5	Secure plywood into place around and above the structure. NOTE: Plan air intake for turbine.
1-6	Install desired finishing materials on top and perimeter of tub box (ceramictiles, granit, marble or other).
1-7	Apply seal to junction of ceramic tiles with ceramic grout and/or silicone.



Detail A

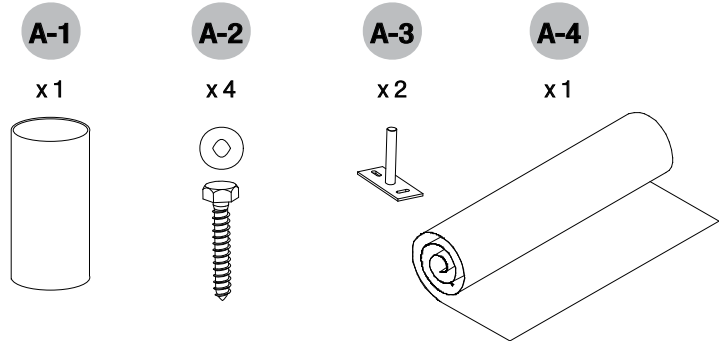
NOTE • For some models, you may see a gap between the bath deck and the finishing material.

- IMPORTANT**
- The ThermoMasseur must sit entirely on its base with the lip supported by a wooden structure.
 - The ThermoMasseur must be level.
 - The ThermoMasseur is molded with an integrated slope towards the drain. If decking around the ThermoMasseur is level, the bath will drain accordingly.

AMMA® FREESTANDING & BALNEO® PARTS & TOOLS

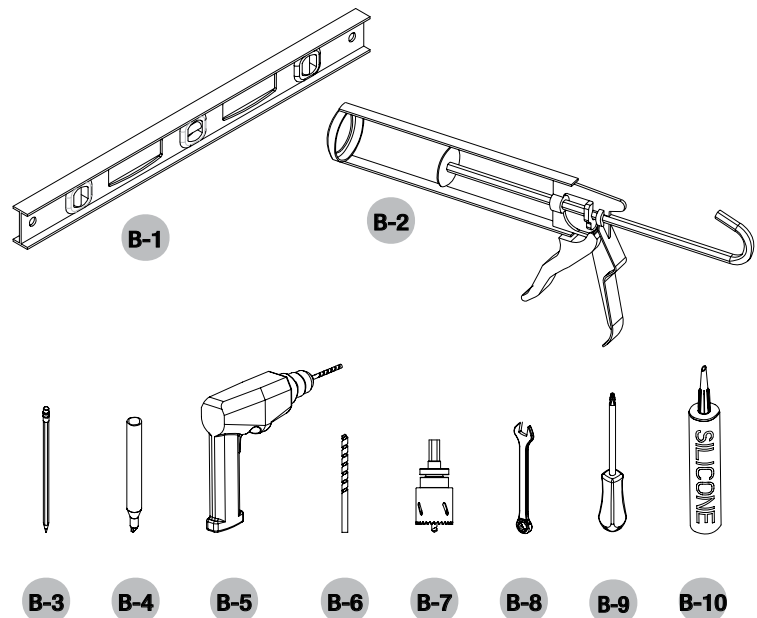
A. PARTS INCLUDED

A-1	Pipe concealer (Cella model)
A-2	Screws and washers (Cella and Amma models)
A-3	Floor anchoring (Naos and Sanos)
A-4	Template (Amma models)



B. TOOLS REQUIRED

B-1	24" level
B-2	Caulking gun
B-3	Pencil
B-4	Erasable marker
B-5	Drill
B-6	3/16" drill bit
B-7	2" hole saw
B-8	7/16" wrench (Cella and Amma models)
B-9	Phillips #2 screwdriver
B-10	Silicone



- IMPORTANT**
- Before starting installation, ensure that parts received match the order. For all questions, call BainUltra at 1 800 463-2187.
 - Instructions in this section apply to Amma freestanding models. Refer to ThermoMasseur® instructions for the installation of Amma drop-in models.

AMMA® FREESTANDING & BALNEO® SITE PREPARATION

BEDDING

- Before finishing your bathroom floor (ceramic, wood or other) ensure that the floor is level. No subsequent adjustments may be made to these baths except for the Amma® model, where shims may be installed under the bath.
- ThermoMasseurs® are molded with an integrated slope towards the drain. If floor is level, the bath will drain accordingly.
- The Amma® model requires a 12" x 9" (30.5 cm x 22.9 cm) recess for the drain. Refer to the bath template for the locations of water supply, electrical connection, and control cable and remote air supply, if applicable.

SERVICE ACCESS AND VENTILATION

For models in the Balneo® series, the turbine is not installed on the ThermoMasseur. Determine a suitable place close to the bath (must be less than 15' [4.6 m] away), either under the floor, in a closet, or any other location that will conceal the power module and turbine.

Chosen location must be easily accessible for servicing while allowing sufficient air circulation for the turbine (see **TURBINE - REMOTE MOUNTING** section).

The turbine of the Amma® models is installed beneath the bath. To allow access to the turbine and other components, foresee an 11" (28 cm) space around the bath in order to be able to take out the removable base. Refer to the template. The turbine may also be installed remotely.

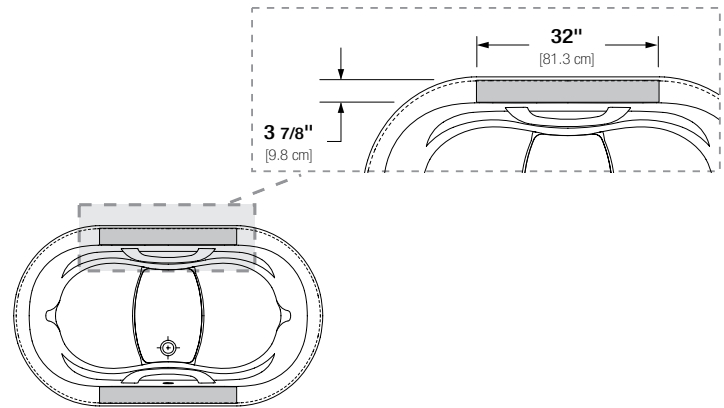
If necessary, please contact BainUltra at 1 800 463-2187 for additional information.

If you cannot install the turbine or provide an air passage under the floor for the Cella, Naos, or Sanos models, an optional surface installation kit is available and must be ordered through your retailer.

PLUMBING

- Use flexible pipes for Amma® water connections.
- On the Amma® model, the faucet may be installed on the bath ledge. In both cases, follow faucet location recommendations in drawings.

NOTE: Before drilling the acrylic, read the instructions in the **THERMOMASSEUR® - PLUMBING INSTALLATION** section.



Faucet area Amma®



WARNING

Balneo® series baths cannot be drilled for faucet installation. Faucets must be freestanding or wall-mounted models.

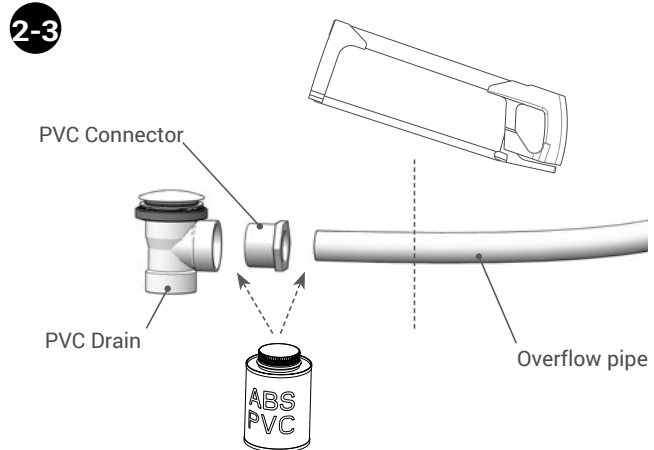
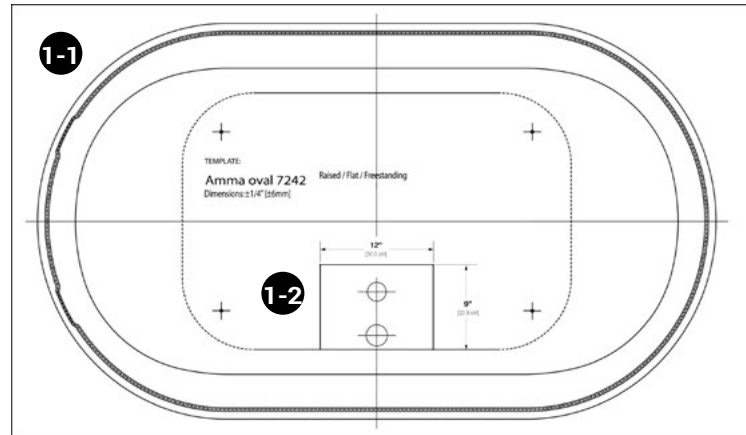
AMMA® FREESTANDING INSTALLATION

1. BATH SITE

- | | |
|-----|---|
| 1-1 | Once floor is prepared and level and recess is cleared around the drain, place installation template on floor in the chosen location. |
| 1-2 | Align the template overflow with the floor drain and ensure that the recess around the drain is properly measured. |
| 1-3 | Use a 3/16" bit to drill anchor screw entry points. |

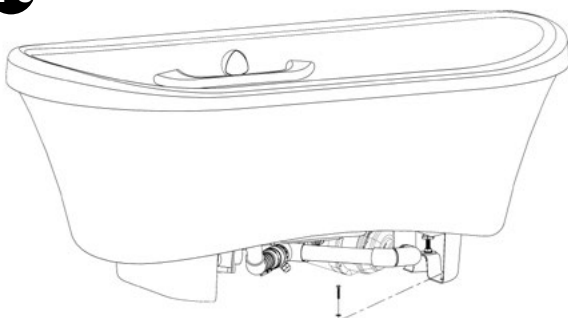
2. INSTALLATION

- | | |
|-----|--|
| 2-1 | Mount drain on bath. Ensure watertightness. |
| 2-2 | Position the bath, aligning anchor holes with anchor screw entry points. |
| 2-3 | Connect bath drain and water supply, and complete electrical wiring. |
| 2-4 | For Geysair-equipped baths, the Geysair unit must be connected to the hot water supply with a 3/8 male compression or 1/2" male NPT hose bibb. A T and a valve (not supplied) must be installed at the hot water intake. |
| 2-5 | Once the bath is in place and all connections completed, secure bath in place using washers and screws supplied. |
| 2-6 | Install base. |

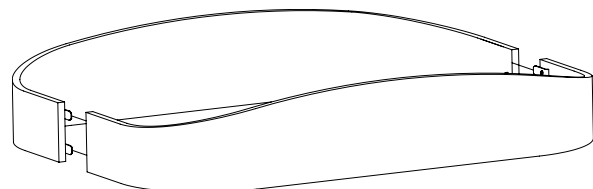


NOTE: If necessary, cut the overflow pipe to the desired length, and glue it to the PVC connector and to the drain.

2-5



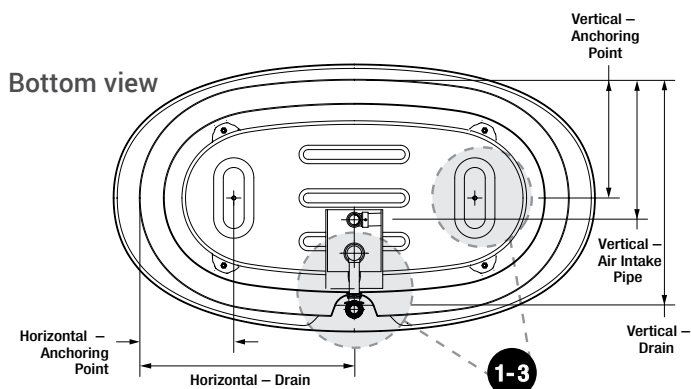
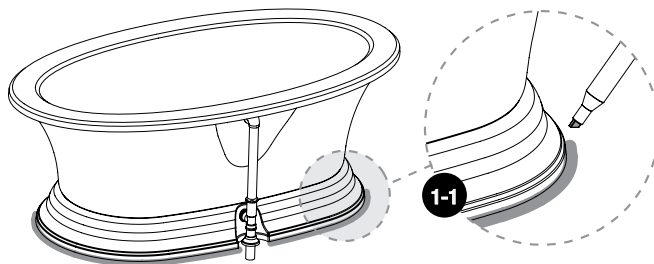
2-6



BALNEO® - NAOS & SANOS INSTALLATION

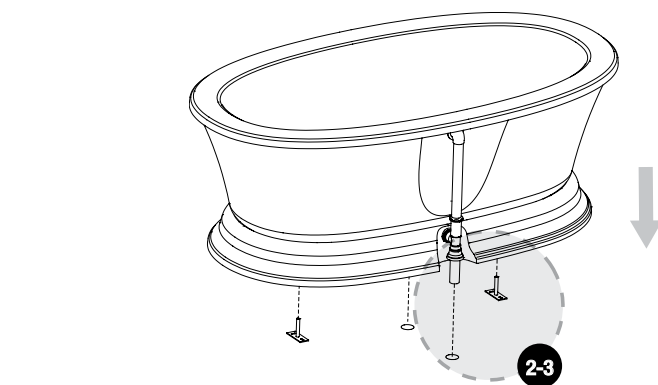
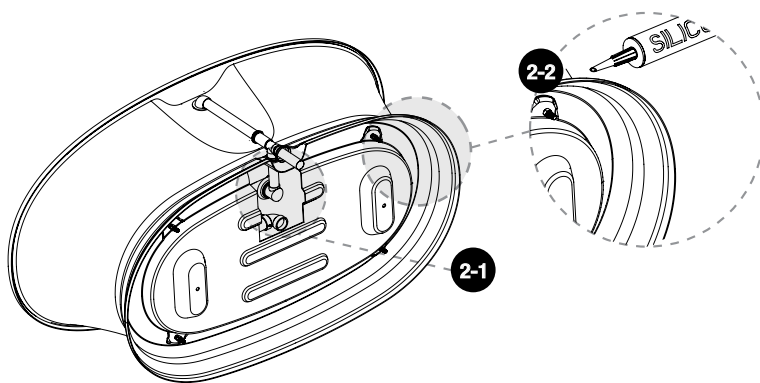
1. BATH SITE

1-1	Once the floor has been finished and is perfectly level, place ThermoMasseur® in the exact chosen location. Trace the outline of the bath with an erasable marker.
1-2	Remove the ThermoMasseur and carefully place it upside down on a blanket or corrugated cardboard (ex. the box in which it was delivered).
1-3	On the floor, determine by referring to measurements taken underneath the bath, the exact location of the drain, the air pipe, and the two anchoring points at each end of the bath.



2. INSTALLATION

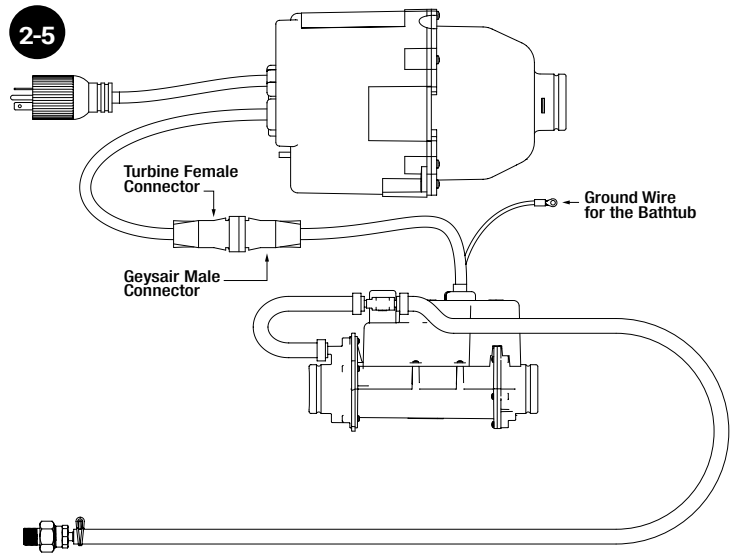
2-1	Install the drain and overflow set on the bath and the first section of the air intake pipe (1 1/2" ABS) under the floor.
2-2	Apply a silicone joint to the base rim.
2-3	Put the ThermoMasseur in place and put pipes through the floor, ensuring bath is aligned with anchoring points. For Geysair-equipped baths, also run the water hose and electrical wiring through the floor.
2-4	Wipe off excess silicone immediately.



BALNEO® - NAOS & SANOS INSTALLATION

2. INSTALLATION (cont'd)

2-5	For Geysair-equipped baths, connect the Geysair electrical wire with the male connector with the turbine cable equipped with the female connector. Test for grounding continuity between the bath grounding terminal and the bath power supply. Failure to perform the grounding continuity test could result in serious personal injury.
2-6	For Geysair-equipped baths, the Geysair unit must be connected to the hot water supply with a 3/8 male compression or 1/2" male NPT hose bibb. A T and a valve (not supplied) must be installed at the hot water intake.



LEAK TEST

Once plumbing is fully installed and before beginning any other work, fill the ThermoMasseur® to overflow and wait 30 minutes. Check all plumbing hook-ups and bath for leaks. BainUltra is not responsible for any water damage caused by improper installation (see Warranty section).

ELECTRICITY

Install turbine and InMix power module connections according to specifications outlined in the Mia ELECTRICAL INSTALLATION - TURBINE section.

NOTES

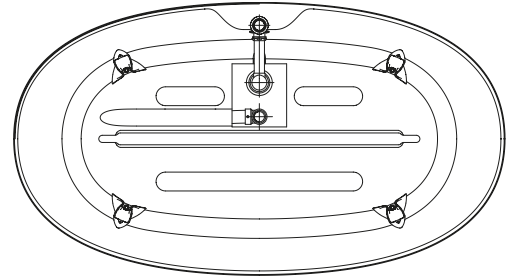
- Since these models sit directly on the floor, the overflow drain pipe opening is factory-drilled.
- To install the Naos or Sanos on a concrete slab with no access below for air entry to the bath: a hole of 1 5/8 inch (4.1 cm) in diameter must be drilled into the bath skirt to allow air supply to the bath.
IMPORTANT: Do not drill above height of existing hole in the skirt intended to connect drain to overflow.

BALNEO® - CELLA INSTALLATION


1. BATH SITE

1-1	<p>Once the floor has been finished and is perfectly level, determine the exact location of the ThermoMasseur®.</p> <p>Mark the following on the floor:</p> <ul style="list-style-type: none"> a) position of the four feet; b) holes to be drilled for the drain and air intake for the turbine.
1-2	<p>Drill the four holes for the feet with a 3/16" drill bit and the drain and air intake openings with a 2" hole saw.</p>

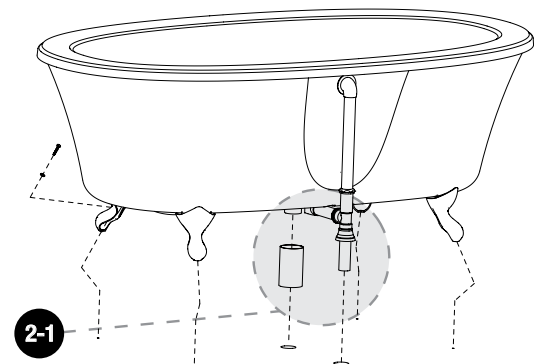
Cella 6636 & 7236



2. INSTALLATION

2-1	<p>Install the drain and overflow set on the bath and the first section of the air intake pipe (1 1/2" ABS) under the floor. Cover the ABS pipe with pipe concealer (included). For Geysair-equipped baths, also run the water hose and wiring through the pipe concealer.</p>
2-2	<p>Once the ThermoMasseur® is in place with piping installed in the floor, secure the four feet with screws and washers provided. (A-2)</p>
2-3	<p>For Geysair-equipped baths, connect the Geysair electrical wire supplied with the male connector with the turbine cable equipped with the female connector. Test for grounding continuity between the bath grounding terminal  and the bath power supply. Failure to perform the grounding continuity test could result in serious personal injury. See page 18, Image 2-5.</p>

Cella 6636 & 7236



IMPORTANT

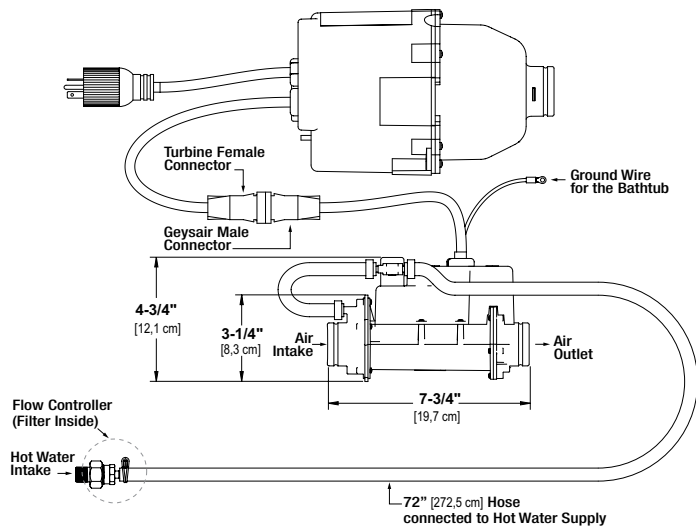
- Do not remove the protective plastic film from the bath and place a drop-cloth in the ThermoMasseur® during installation to protect the acrylic.
- The ThermoMasseur® must be secured to the floor.

WARNING

- Balneo® baths cannot be drilled for faucet installation. Faucets must be freestanding or wall-mounted models.

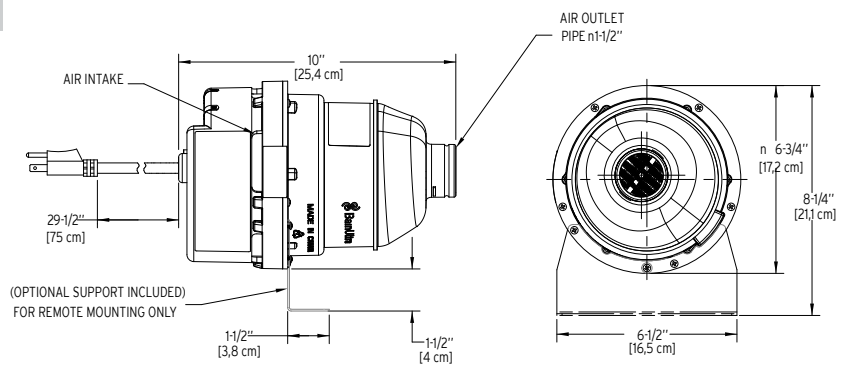
TURBINE WITH GEYSAIR TECHNICAL SPECIFICATIONS

MOTOR	
Weight	6,2 lbs
Motor power	Panasonic 0,8 HP 120 V 540 W 4,5 A
Air pressure	2,75 psi
Air flow	75 cfm at maximum speed
Motor rotation speed	27 000 rpm at maximum speed
Noise level	56 to 60 db at maximum speed
Operating cost	\$0.027/HR for \$0.045/KWh



AIR HEATER	
Power	700 W 5,8 A
Operating cost	\$0.027/HR for \$0.045/KWh

GEYSAIR	
Power	700 W 5,8 A
Hot Water Consumption	0,13 GPM*
* If using a tankless water heater, insure minimum water flow activation is adequate.	
Operating cost	\$0,032/HR for \$0,045/KWh



NOTES

- The specifications shown indicate the outer edge dimension.
- The manufacturer accepts a 1/4" [0.64 cm] variance. There are variations on each product and specifications are subject to change as we improve upon our product as required. The dimensions needed for site preparation and structure building will differ. BainUltra® assumes no responsibility for preparatory work done prior to the product being on site.

WARRANTY



Turbine* |



Geysair* |

*Some restrictions may apply. (www.bainultra.com/warranty)

TURBINE WITH GEYSAIR ELECTRICAL INSTALLATION & PLUMBING

GROUNDING

The electrical system must be connected to an independent circuit protected by a new **20 AMP Class A ground fault circuit interrupter (GFCI) and another one of 15 AMP for additional options**. This electrical circuit must imperatively be grounded.

Canada only: for permanently connected units. A green-colored terminal (or a wire connector marked g, gr, ground or grounding) is provided within the terminal compartment (not applicable if unit supplied with an electric plug).

To reduce the risk of electrocution, connect this terminal or connector to the grounding terminal of your electric service or supply panel with conductor equivalent in size to the circuit conductors supplying the equipment and be **12 AWG** or more. install this unit in accordance with the canadian electrical code, part 1.

ACCESS

A service access is necessary. Minimum dimensions are: 22" x 18" (55 cm x 46 cm) to properly reach all electrical components of the system.

PLUMBING

The turbine is connected to a 120V circuit. All electrical connections must be carried out by a certified electrician in accordance with local electrical requirements and codes. Special attention must be given to installation of bath's power circuit, and more particularly to the following points:

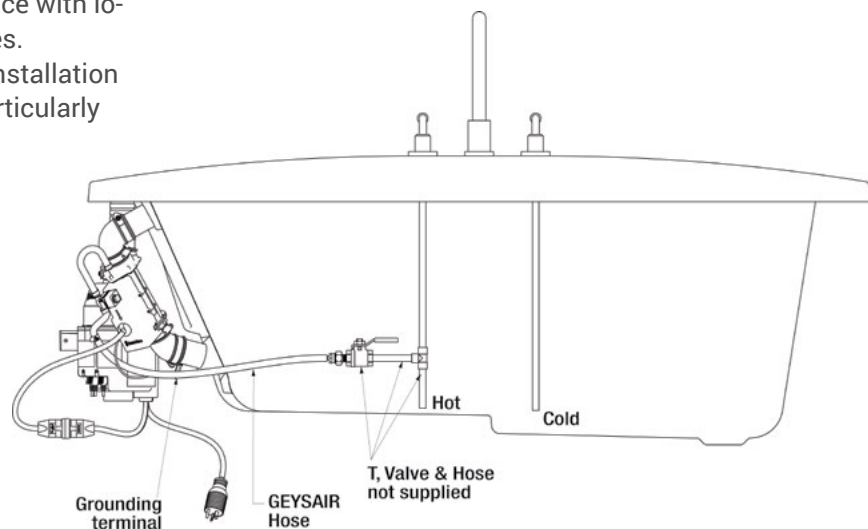
CONNECTIONS

The InMix module (Chromatherapy) of the electronic control and the turbine must be easily accessible at all times. Make all connections as indicated on diagram below. Ensure that **power circuit is disabled before proceeding with any electrical connections**. Electrical cable feeding bath must be at least N° 12 AWG caliber. **Turbine must be connected to its own circuit, which, in turn must be connected directly in breaker panel without any interrupters or dimmer switches.** Canada only: the junction box must be attached to the wall at the height of at least 1 1/2" (3.8 cm) from the ground.

The Geysair hose must be connected to the hot water supply by a qualified plumber and according to the local plumbing code.

A 3/8 inch compression male or 1/2 inch NPT hose bibb is supplied. For optimal performance, keep hose length to a minimum. Set temperature on hot water heater no higher than 140°F/60°C.

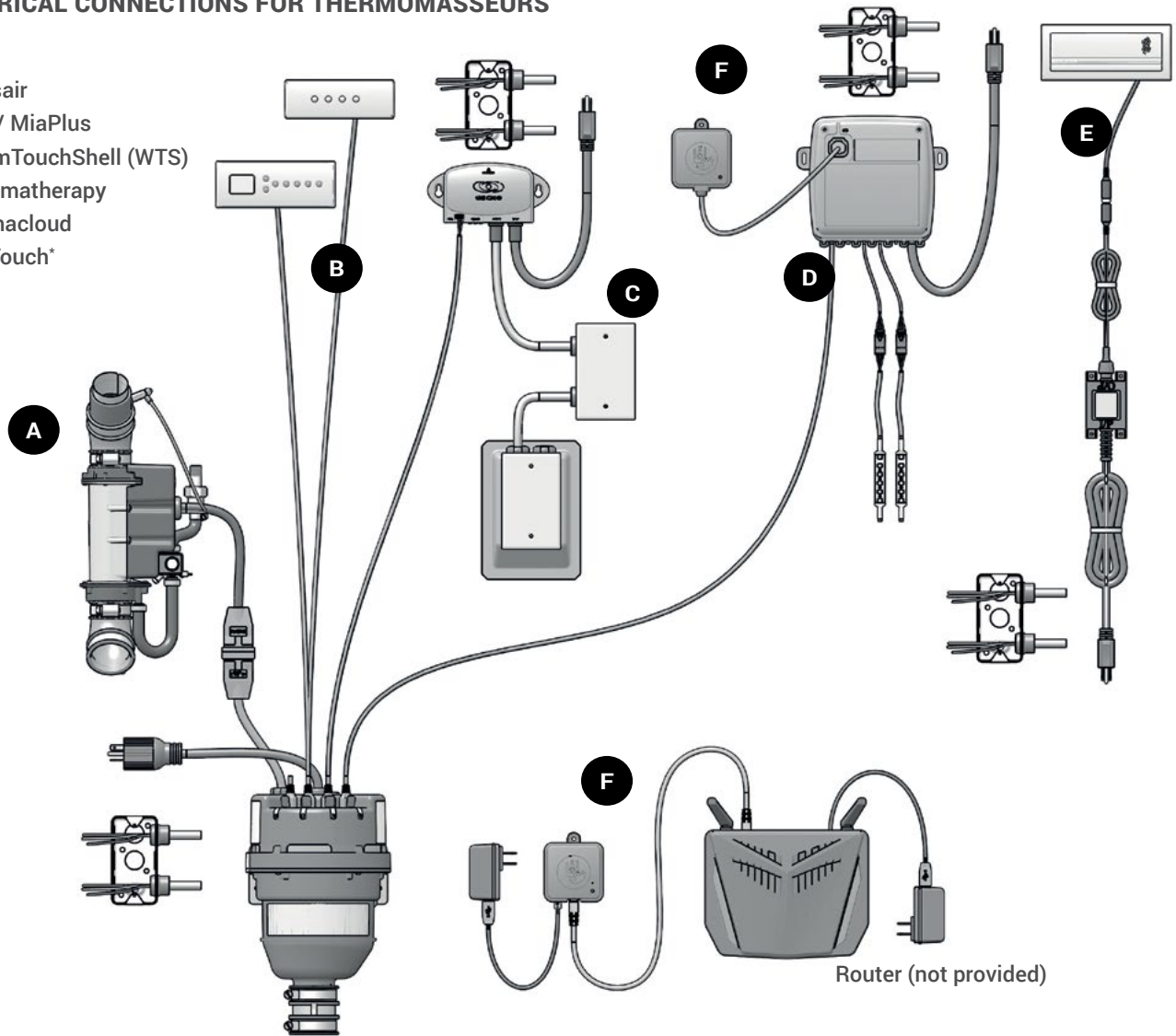
For all the houses having to deal with special water conditions (hard, rust, sulfur, etc) the homeowner should already be aware of the specific measures that should be taken for all his other appliances using water. The Geysair does not need other measures than that.



TURBINE WITH GEYSAIR & AROMACLOUD ELECTRICAL INSTALLATION

ELECTRICAL CONNECTIONS FOR THERMOMASSEURS®

- A : Geysair
- B : Mia / MiaPlus
- C : WarmTouchShell (WTS)
- D : Chromatherapy
- E : Aromacloud
- F : BU-Touch*



NOTE: • Connections may differ depending on the bath model and options.



WARNING

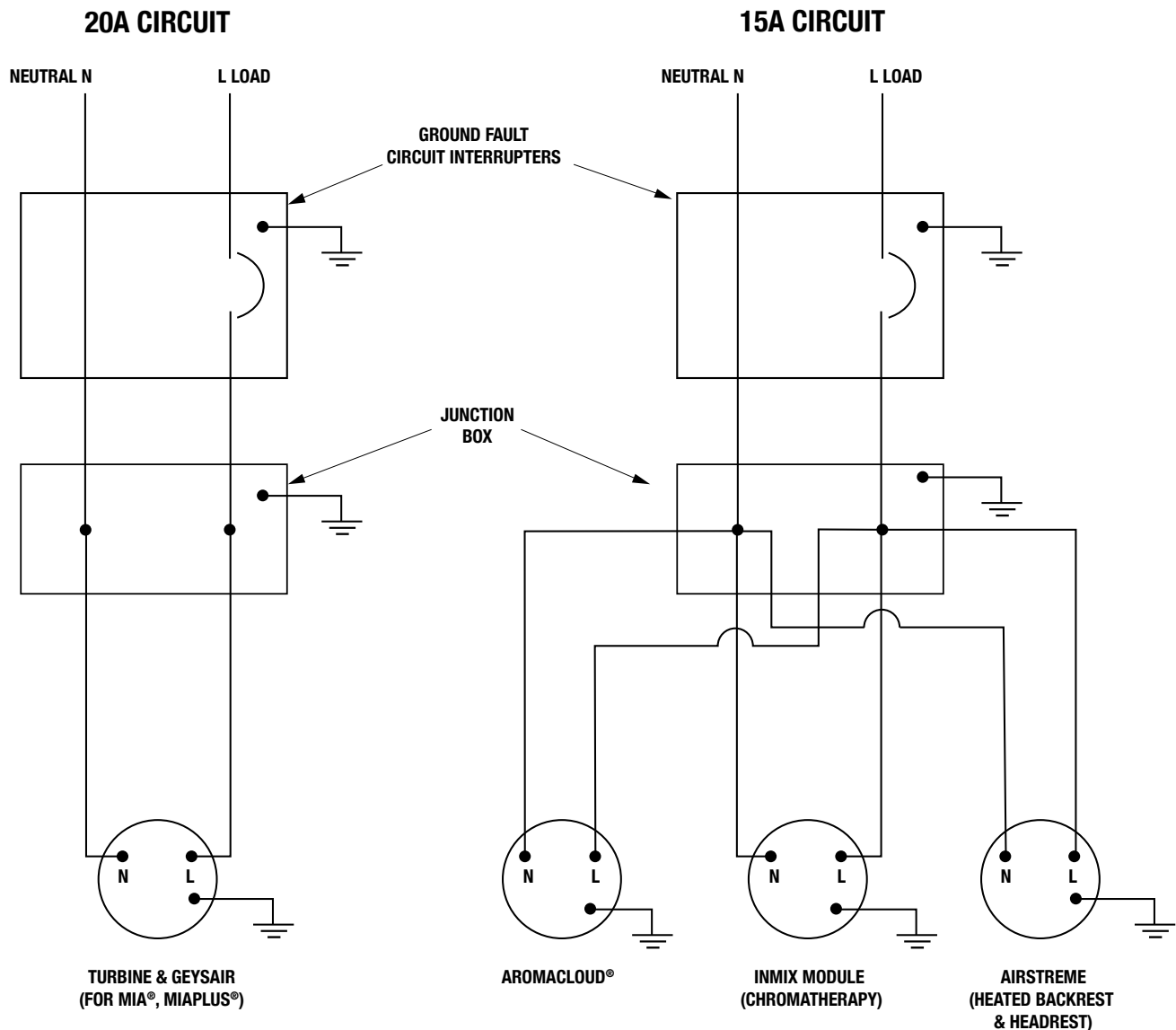
- Electrical outlet must be installed by a certified electrician. Installation must be conducted in accordance with all local, provincial/state, and federal building/electrical codes and regulations.
- Connect electrical power supply only after all low voltage wiring is properly installed on turbine.
- If you did not follow this last step, shut off and then restart your home's circuit breaker. Turbine and air pipe should be clear of building materials and wiring.

* BU-Touch is a virtual control application that activates all the options of the ThermoMasseur Air jets bath from your mobile device. Please refer to BU-TOUCH Quick Start Guide: www.bainultra.com/butouch-guide

TURBINE WITH GEYSAIR® & AROMACLOUD® ELECTRICAL INSTALLATION

ELECTRICAL DIAGRAM TURBINE & GEYSAIR®, WITH AROMACLOUD®

Electrical connections for Canada only.



TURBINE REMOTE MOUNTING INSTALLATION

LOCATION

Choose a location not requiring more than six elbows (directional changes) and 15 ft. (4.6 m) of piping to the bath. Choose the shortest possible distance between bath and turbine to insure the system's performance. Sufficient space and ventilation is necessary for proper air circulation. Ambient air temperature should be between 72°F (20°C) and 86°F (30°C). Easy access to system must remain possible at all times for servicing.

TURBINE INSTALLATION

Turbine may be relocated in either a vertical or a horizontal position.

Use only 1 1/2" (3.8 cm) ABS or PVC non-flexible pipes and adaptors to extend air line; the use of flexible pipes is not recommended (except when factory-installed). Whenever possible, use two 45° elbows to change the direction of your piping. All air line pipe connections should be glued together except for connections to the turbine, air-heater of the double heated backrest of the Amma® serie and air entry on the bath which are secured in place with screws.

The turbine must be mounted at least 4" (10 cm) from the floor. To reduce heat loss, use insulating material along the entire air line. Bath is delivered with a 15 ft. (5 m) cord to connect the electronic control to the turbine. If necessary, extensions are available through a retailer. To relocate turbine, refer to directions and illustrations on following pages.

All bath components are factory-installed. If

IMPORTANT

- Geysair should never be installed remotely.
- If the ThermoMasseur® comes with LED Chromatherapy system (optional) or WarmTouchShell system (optional), InMix module and Litestreme module must always be moved with the turbine.



WARNING

- A waiting period of 24 hours is necessary before using turbine if pipes have been glued together.

you wish to relocate the turbine and InMix module (Chromatherapy) for practical or accessibility reasons, follow these instructions. Failure to follow these instructions could result in serious personal injury or and/or property damage. Failure to follow these instructions will void the warranty for the ThermoMasseur® and BainUltra shall not be responsible for any damage, loss, cost, expense or liability relating to failure to follow these instructions.

TURBINE REMOTE MOUNTING INSTALLATION

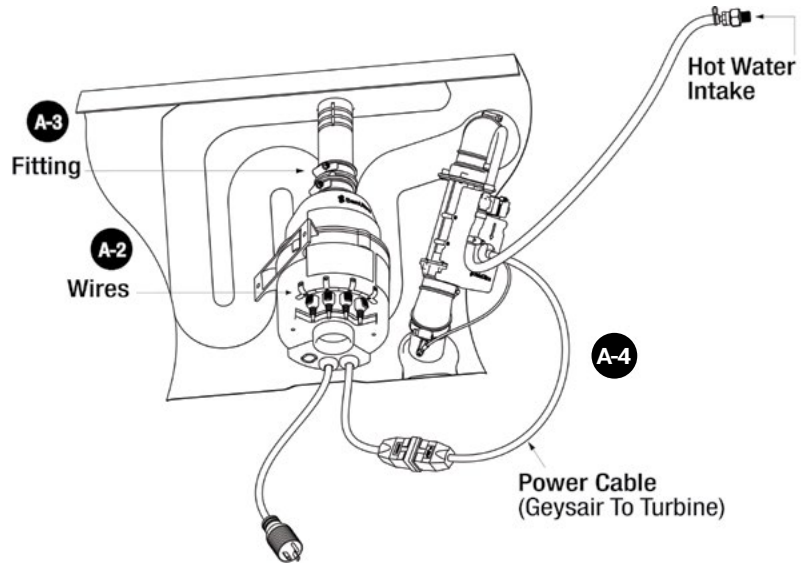


IMPORTANT

- THESE STEPS MUST BE EXECUTED BY A QUALIFIED ELECTRICIAN
- GEYSAIR SHOULD NOT BE INSTALLED REMOTELY

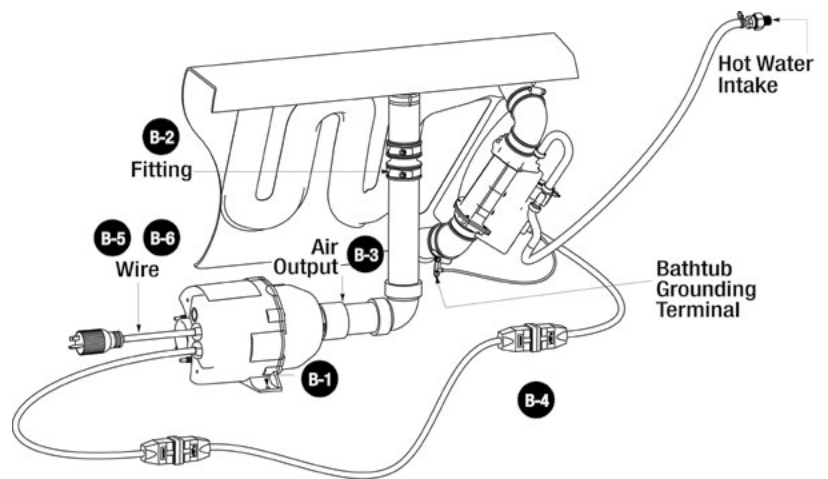
A. TO REMOVE TURBINE AND GEYSAIR FROM ITS CURRENT SUPPORT

A-1	Disconnect electrical supply to bath.
A-2	Disconnect wires going to turbine.
A-3	Using a flathead screwdriver, loosen fitting.
A-4	Unplug the electrical cable connecting the turbine to the Geysair unit.



B. TO REINSTALL TURBINE REMOTELY

B-1	Mount turbine to wall or wall structure by inserting 1" (2.5 cm) screws in mounting holes.
B-2	Use as many 1 1/2" (4 cm) ABS or PVC pipes as necessary to connect turbine to bath. Follow all relocation instructions provided at p. 24 of the present Owner's Manual. To reduce vibrations, avoid having air line pipes touch home structure.
B-3	Secure pipe at air output of turbine by drilling a 1/8" (0.3 cm) hole and by using 1/2" (1.3 cm) sc rew. (Do not glue).
B-4	Add an electrical cable extension specific to Geysair (available at BainUltra) between the Geysair cable and the turbine cable. WARNING: Test for grounding continuity between the bath grounding terminal and bath power supply. Failure to perform the grounding continuity test could result in serious personal injury.
B-5	Reconnect wires going to turbine.
B-6	Connect bathtub's power supply.

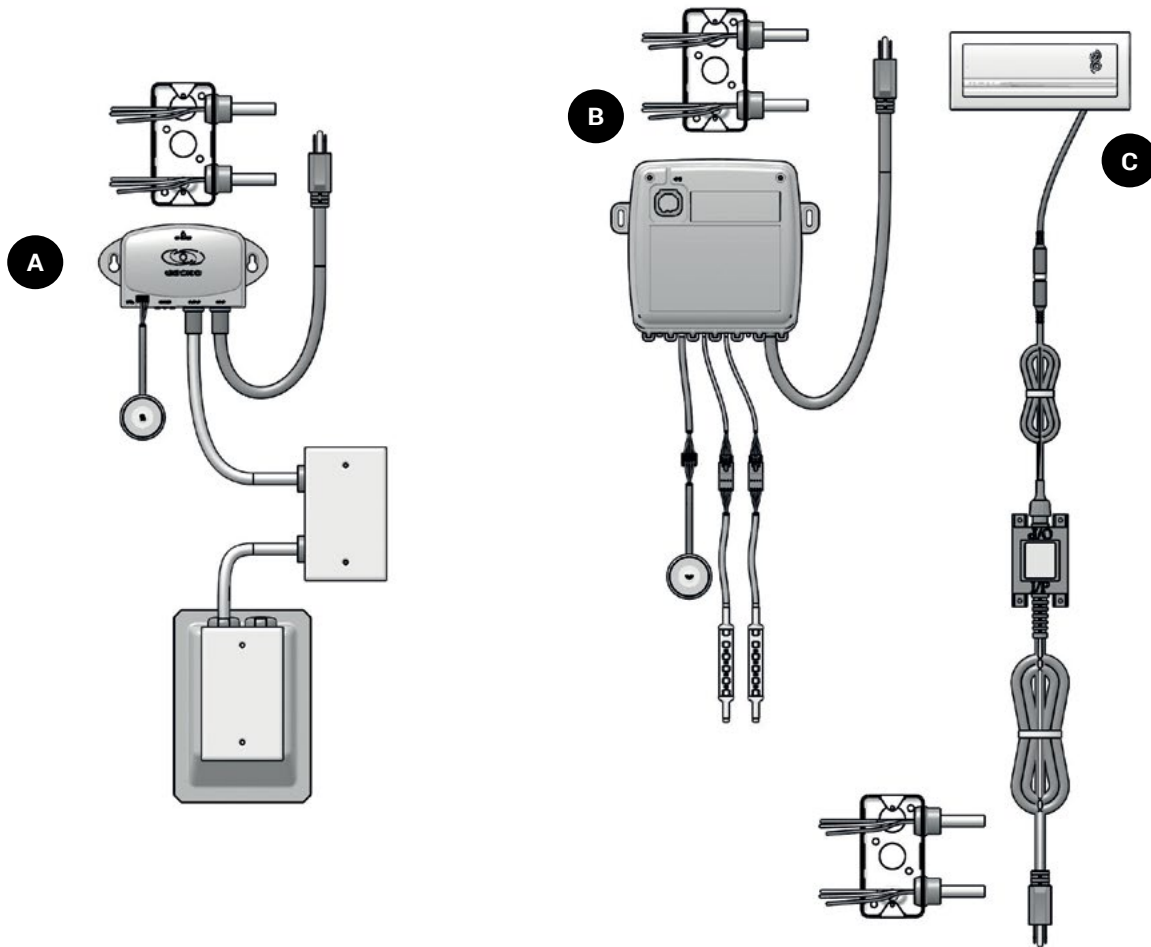


ELECTRICAL INSTALLATION FOR BATHS WITHOUT AIR JETS

ELECTRICAL INSTALLATION FOR BATHS WITHOUT AIR JETS

See page 23 for electrical connections.

- A : WarmTouchShell (WTS)
- B : Chromatherapy
- C : Aromacloud



WARNING

- Electrical outlet must be installed by a certified electrician. Installation must be conducted in accordance with all local, provincial/state, and federal building/electrical codes and regulations.
- Connect electrical power supply only after all low voltage wiring is properly installed. If you did not follow this last step, shut off and then restart your home's circuit breaker.

NOTE:

Connections may differ depending on the bath model and options.

SKIRTS INSTALLATION GENERAL INSTRUCTIONS

SIZING ACRYLIC PARTS

Depending on wall finish, you may need to size the panels and toe kicks. When installation instructions of specific skirt model mention sizing of acrylic parts, if such sizing is necessary, follow these steps.

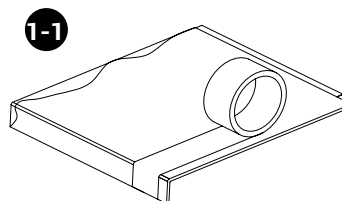
PEEL COAT

A plastic film ("peel coat") protects the acrylic parts. It is best to leave this film in place while working. Only remove it just before installing the parts. If you remove the peel coat when work starts, you risk scratching the parts during installation. If you remove the peel coat only after all parts are installed, some plastic may stay trapped in certain areas.

Instructions specific to each skirt model are presented on the following pages. These general instructions apply to all models.

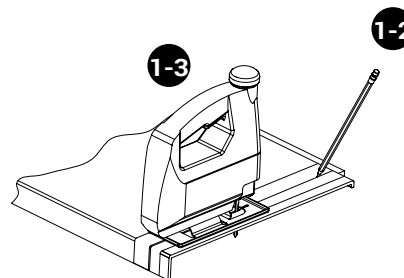
Before starting, make sure all parts match your order. Contact BainUltra at 1-800-463-2187 if you have any questions.

Ensure that the ThermoMasseur® has been installed in accordance with BainUltra installation instructions and the bath bottom is flush with the floor.



1. SIZING ACRYLIC

1-1	Protect the acrylic with tape.
1-2	Trace the cutting line.
1-3	Cut using a jigsaw with a melamine blade or a metal blade (minimum 14 teeth/inch).



SKIRTS INSTALLATION PARTS AND TOOLS

A. NECESSARY TOOLS AND PARTS REQUIRED (NOT INCLUDED)

FOR ALL MODELS

- A-1 Measuring tape
- A-2 Screwdriver
 - Silicone

FOR TRIMMING (IF NEEDED)

- A-3 Adhesive tape
- A-4 Jigsaw and finishing blade

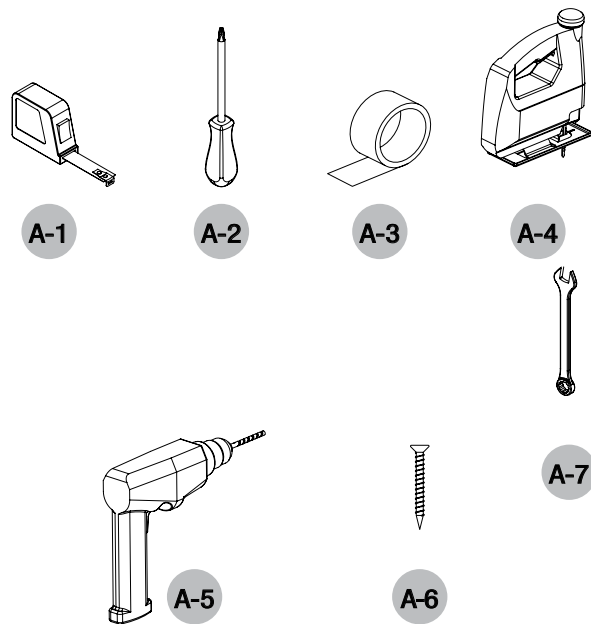
SJ-1 MODEL

- A-5 Drill (depending on the installation)
 - Two wooden blocks (2" x 3" x 4")

SJ-3 SE MODEL

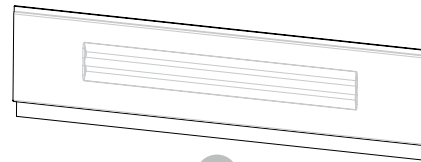
- A-6 Eight screws
- A-7 7/16" wrench

You will require the pencil and level used for the installation of the ThermoMasseur® as well as the following items depending on the skirt you are installing.

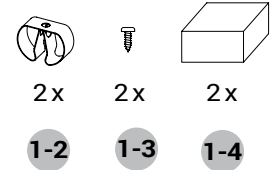


1. PARTS INCLUDED

1-1	Center panel
1-2	Retainer clips
1-3	#8 x 1/2" screws
1-4	Wood blocks (if necessary) NOTE: Parts may vary depending on bath model.



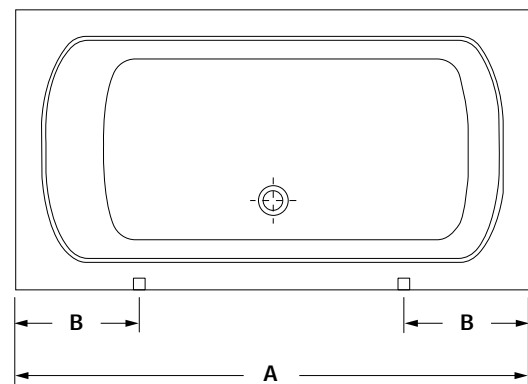
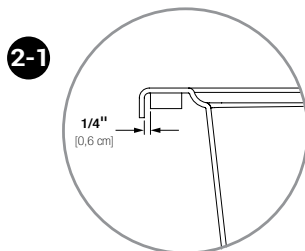
1-1



2. INSTALLATION

NOTE	If wood blocks are already installed on the bath, go to step 2-2.
2-1	Glue wood blocks 1/4" (0.6 cm) from bath rim with epoxy or construction glue. Position blocks according to bath model.

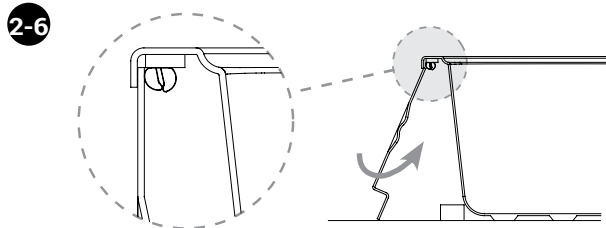
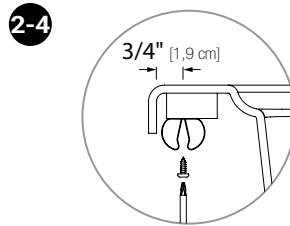
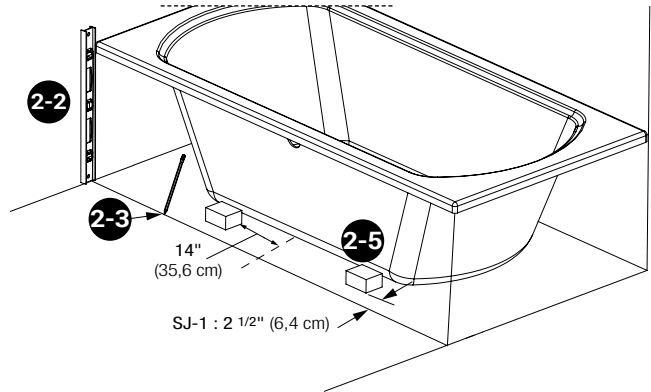
A	B
60" (152.4 cm)	16" (40.6 cm)
66" (167.6 cm)	16" (40.6 cm)
72" (182.9 cm)	20" (50.8 cm)



SJ-1

2. INSTALLATION (NEXT)

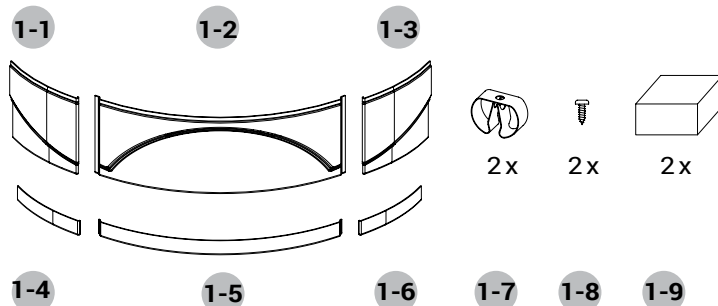
2-2	Holding a level against the side of the bath, mark a guideline on both walls.
2-3	Trace a line on the floor to connect both lines.
2-4	Install the retainer clips on the wood blocks and secure in place with #8 x 1/2" screws.
2-5	Fasten two wood blocks to the floor 14" (35.6 cm) from the center of the bath. Space them 2 1/2" (6.4 cm) from the floor guideline.
2-6	Insert top of panel between the bath rim and retainer clips under the bath ledge.
2-7	Fasten skirt to blocks with screws. NOTE: It is recommended that you apply a silicone joint to the bath base to ensure a tight seal.



SJ-3 (SENSATION)

1. PARTS INCLUDED

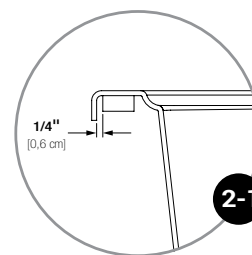
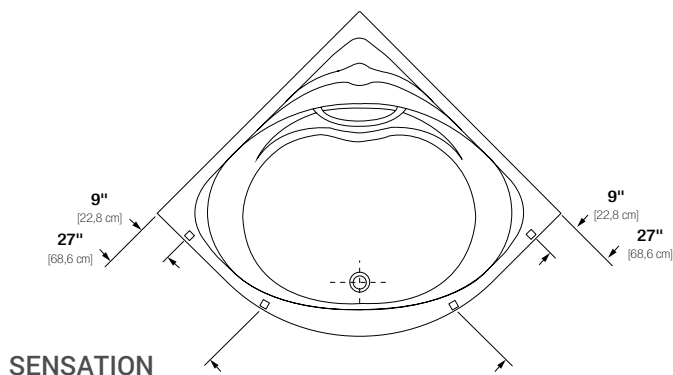
1-1	Left panel
1-2	Center panel
1-3	Right panel
1-4	Left toe kick
1-5	Center toe kick
1-6	Right toe kick
1-7	Retainer clips
1-8	#8 x 1/2" screws
1-9	Wood blocks (if necessary)



2. INSTALLATION

NOTE If wood blocks are already installed on the bath, go to step 2-2.

2-1 Glue wood blocks 1/4" (0.6 cm) from bath rim with epoxy or construction glue. Position blocks according to bath model.

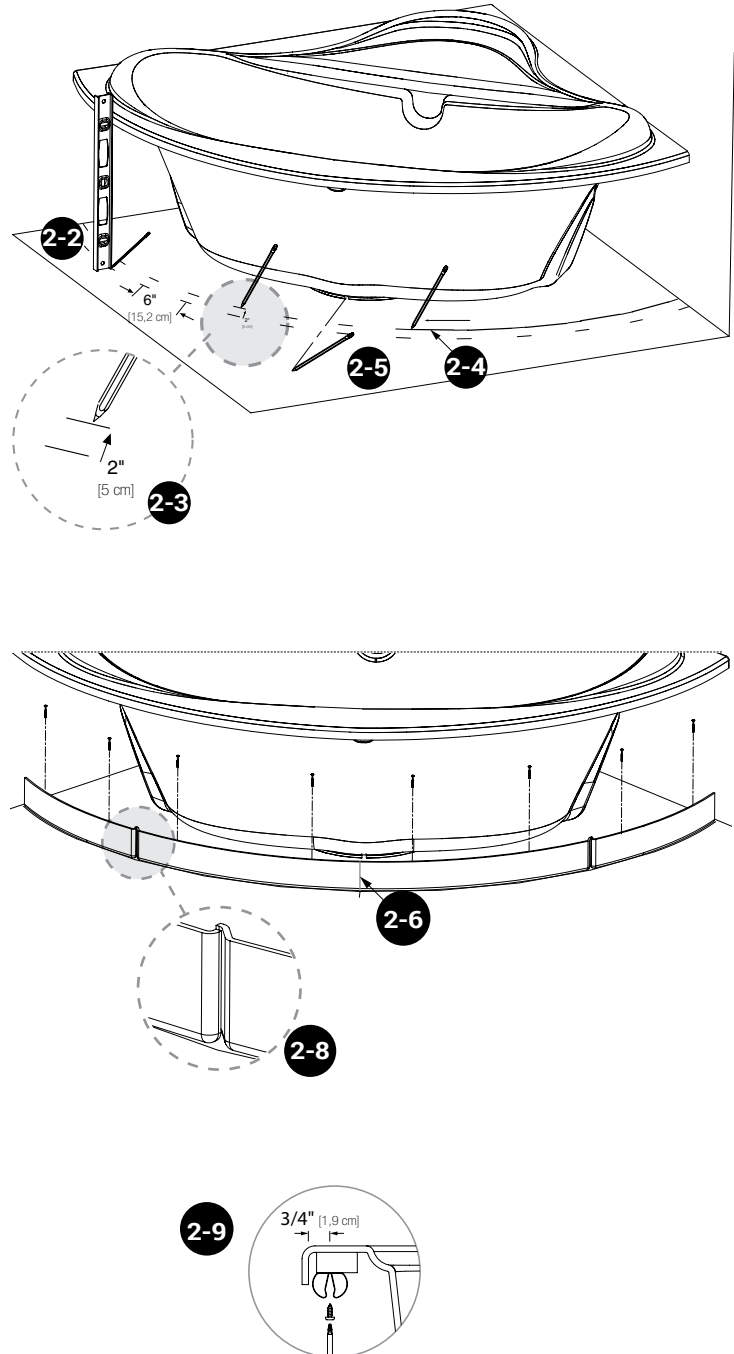


* SJ3-SE Skirt is for Thalassa SENSATION model only.

SJ-3 (SENSATION)

2. INSTALLATION (CONT'D)

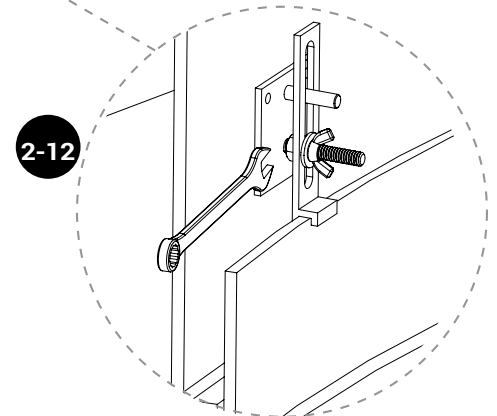
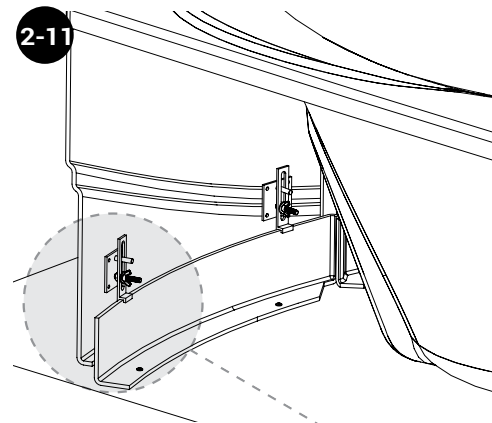
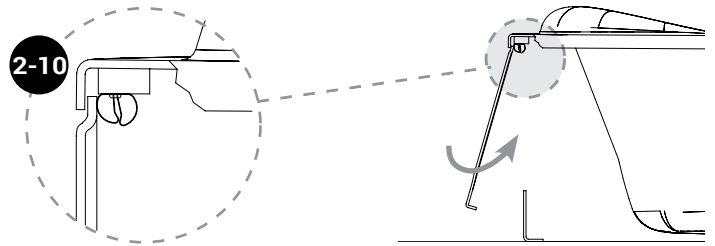
2-2	Hold level against bath rim and mark dashes around the bath every 6" (15.2 cm).
2-3	Mark a second set of dashes 2" closer to the bath. This is where the toe kick will be.
2-4	Join the second set of dashes together. This will reproduce the bath's curve.
2-5	Mark the center of this curve.
2-6	Position center toe kick just behind the curved line and center it by aligning the notch under it with the guideline on the floor.
2-7	Screw center toe kick to floor, starting with the two screws in the middle. NOTE: You may have to bend the toe kick slightly to match the curve drawn on the floor.
2-8	Place left and right toe kicks on either side as shown and screw to floor. NOTE: Cut left and right toe kicks as needed.
2-9	Install the four retainer clips on the wood blocks and secure in place with #8 x 1/2" screws.



SJ-3 (SENSATION)

2. INSTALLATION (CONT'D)

2-10	Insert top of panel between the bath rim and retainer clips. Position base of panel against toe kick.
2-11	Seat brackets on toe kick and adjust screws so that brackets are vertical.
2-12	Adjust panel height, leaving 1/4" (0.6 cm) between the edge of the bath and the curved panel top.
2-13	Ensure brackets are well seated on toe kick and tighten wing nut as much as possible.
2-14	Remove panel and follow steps 2-10 to 2-13 for the left panel.
2-15	Remove left panel and repeat steps 2-10 to 2-13 with the center panel.
2-16	Leave center panel in place and reinstall the left and right panels, inserting top of panel first. NOTE: Cut left and right toe kicks and panels as needed.



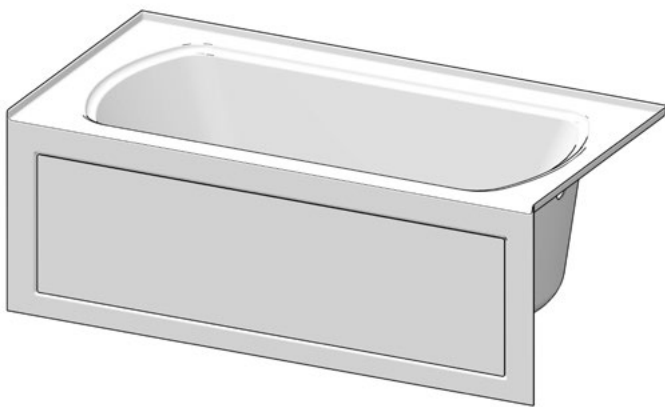
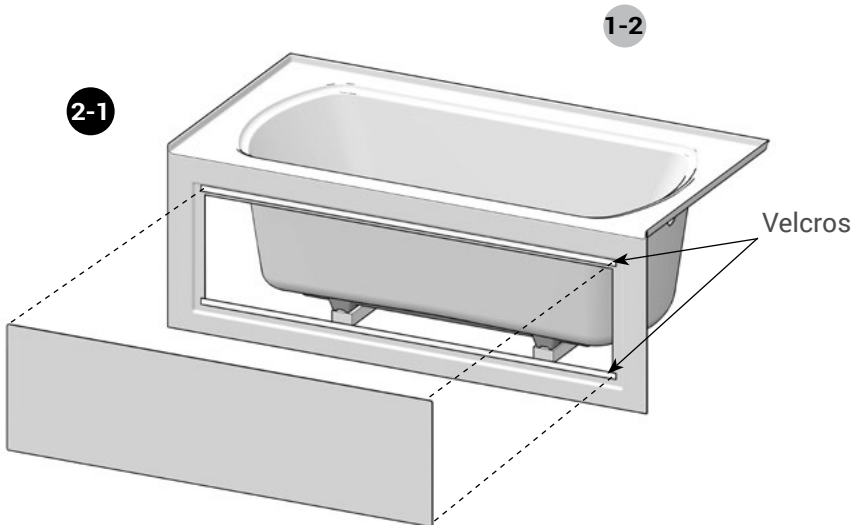
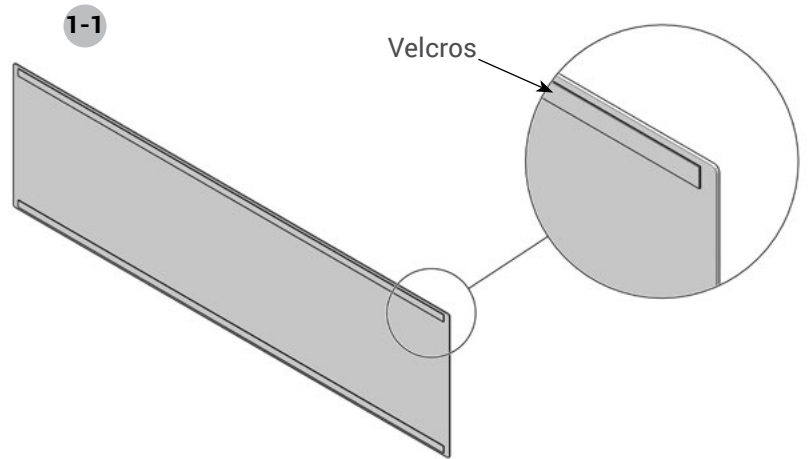
MERIDIAN DUO SKIRT INSTALLATION

1. INCLUDED PARTS

1-1	Meridian Duo skirt
1-2	Meridian Duo bath

2. INSTALLATION

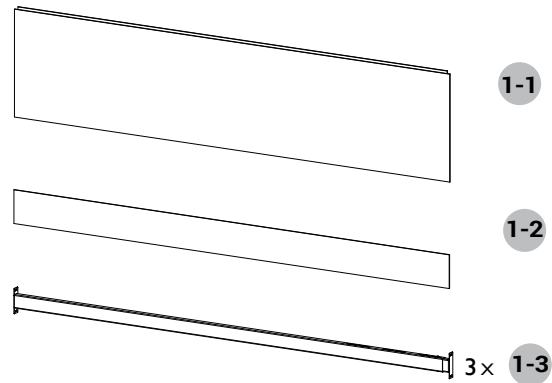
- 2-1 Put together the skirt by aligning the velcros provided for this purpose.



MULTIFIT SKIRT (ADJUSTABLE)

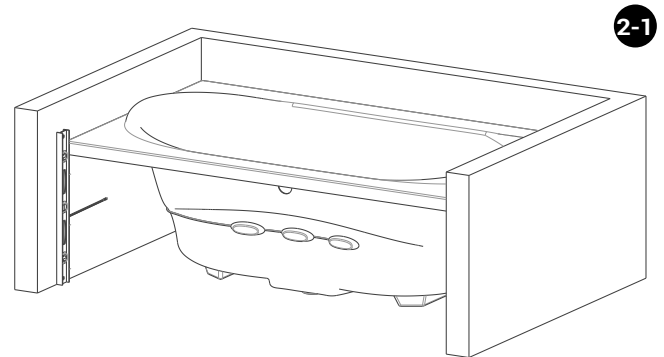
1. PARTS INCLUDED

1-1	Skirt
1-2	Toe kick
1-3	Crossbar

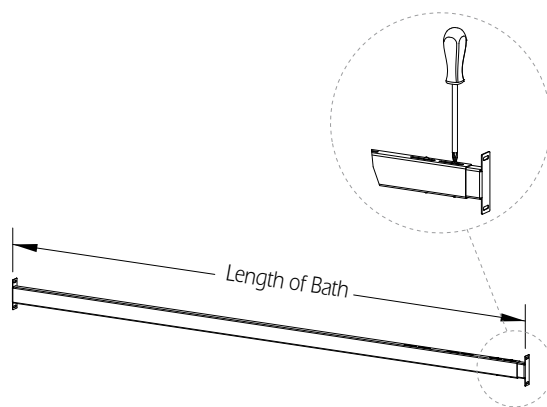


2. INSTALLATION

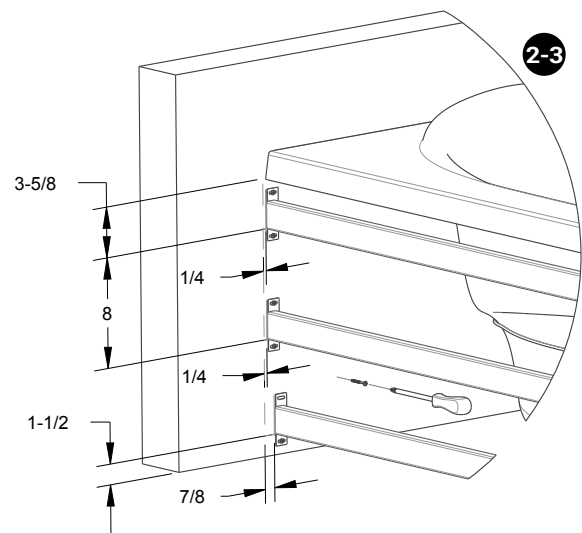
2-1	Holding a level against the side of the bath, trace a vertical guideline on both walls.
2-2	Adjust length of the 3 crossbars with the 4 screws at one crossbar end.
2-3	Fasten the 3 crossbars at the indicated dimensions using screws. Upper crossbar is positioned from the bottom of the ledge of the bath, and lower crossbar is positioned from the floor.



2-2



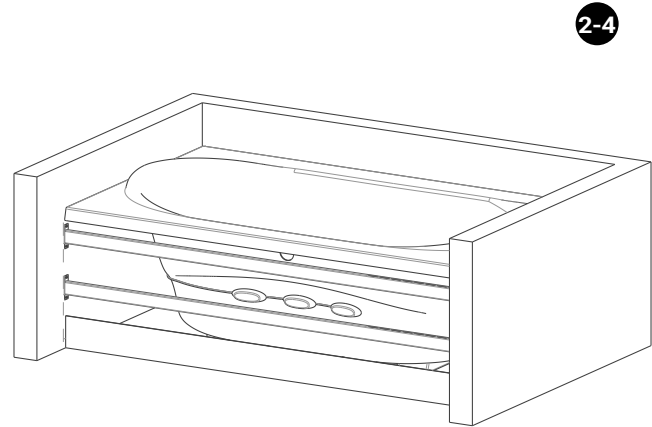
2-3



MULTIFIT SKIRT (ADJUSTABLE)

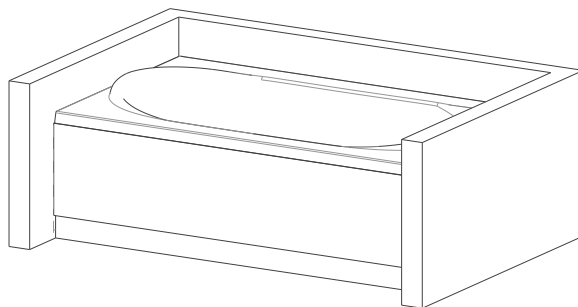
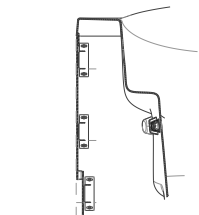
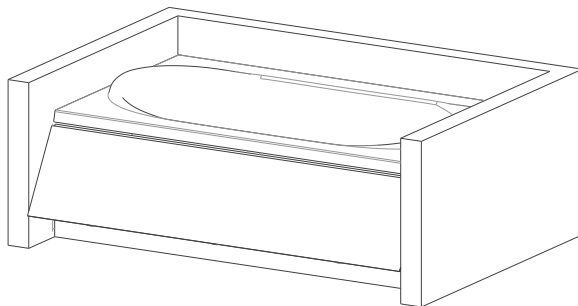
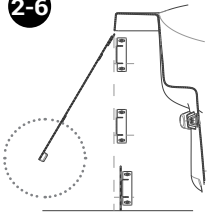
2. INSTALLATION (CONT'D)

- | | |
|-----|--|
| 2-4 | Install magnetized toe kick to the lower crossbar. |
| 2-5 | Insert magnetized skirt behind the edge of the bath and install it to the 2 upper crossbars. If needed, unattach magnetized skirt and adjust depth of crossbars for better adjustment. |
| 2-6 | Skirt cutting area. If the skirt must be cut in height, it is important to cut only at the bottom while taking care of repositioning the protection pads. |



2-5

2-6



DOT CONTROL INSTALLATION BATHS WITHOUT AIR JETS

REQUIRED TOOLS

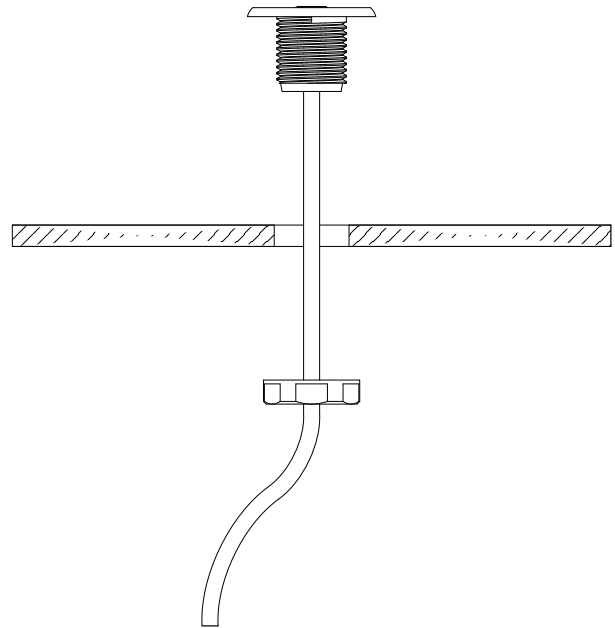
1	7/8 in. Hole Saw
2	Drill

LOCATION

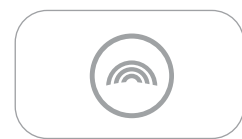
Determine the most convenient location, on either the wall or the deck, to install the control module or consult the bath's specifications sheet for the suggested location. To avoid drilling in an electric component, always check under the deck before drilling. If you have to install the control to the wall, remove the protective film of sticker behind the control. You can add a silicone bead to secure it.

INSTALLING THE TOUCHPAD

1	Push wiring through drilled holes.
2	Remove protective film from watertight seal.
3	Secure touchpad into place on either the podium or the wall by using the nut supplied.
4	Tighten sufficiently to insure seal is airtight.



WarmTouchShell DOT



Chromatherapy DOT



WARNING

- If control is not factory installed, you will find it attached on the turbine, or to the electronic controls modules.

DOT CONTROL INSTALLATION BATHS WITHOUT AIR JETS

WARMTOUCHSHELL® (WTS®)

OPERATING WTS DOT

- Press this button to START/STOP the WarmTouchShell®
- Therapy lasts 30 minutes.
- A LED light appears on DOT control when WarmTouchShell is in function.



WarmTouchShell (WTS) DOT

CHROMATHERAPY

OPERATING CHROMA DOT

- **1st Pressure : Start (Violet color appears).**
- **Successive pressures :**
 - Blue
 - Green
 - Yellow
 - Orange
 - Red
 - SCAN mode (Scans through colors continuously)
 - PAUSE (Stops on a selected color during the SCAN mode).
- Press and hold for 2 to 3 seconds – TURN OFF.
- No LED light appears on DOT control when Chromatherapy is in function.



Chromatherapy DOT



MIA® & MIAPLUS® CONTROLS INSTALLATION THERMOMASSEURS

REQUIRED TOOLS

1	Fine teeth jigsaw
2	Drill
3	1/4 in. drill bit

LOCATION

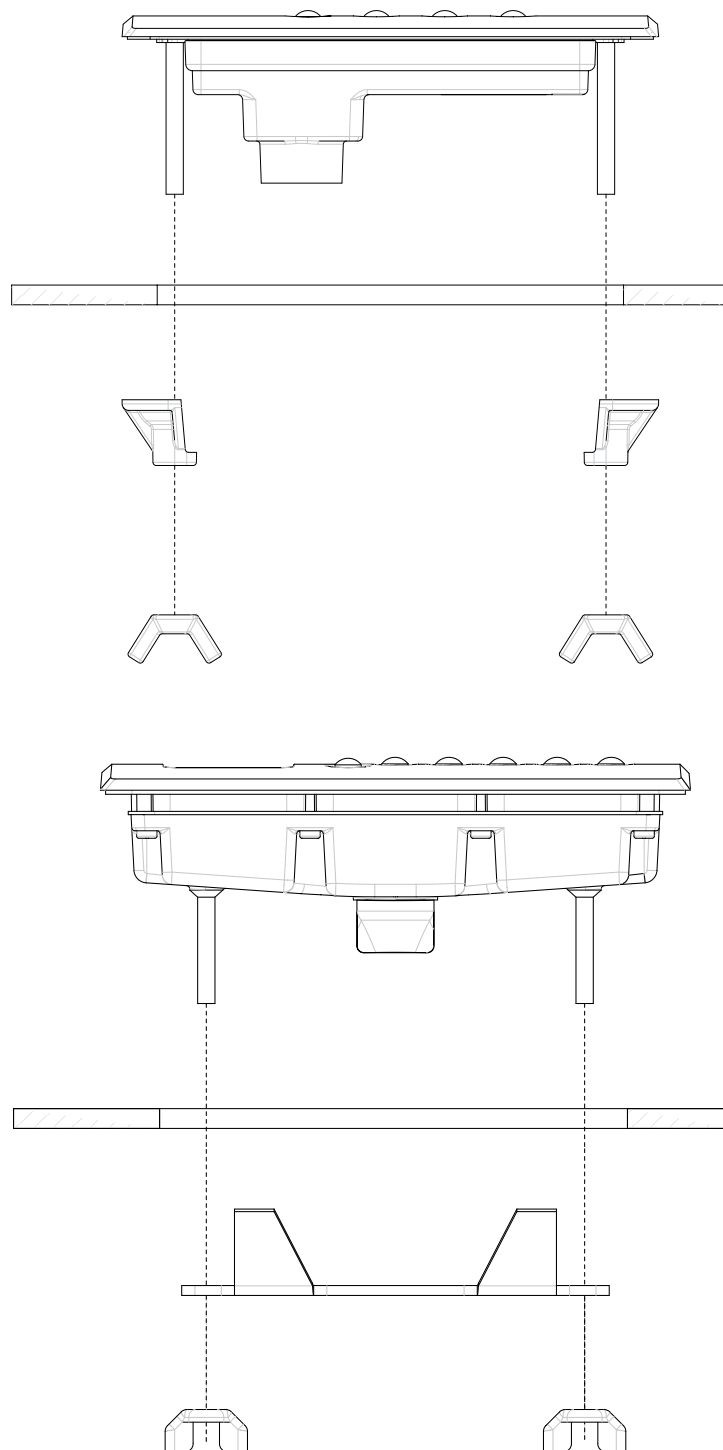
Determine the most convenient location, on either the wall or the deck, to install the control module or consult the bath's specifications sheet for the suggested location. To avoid drilling in an air intake zone or an electric component, always check under the deck before drilling. If you have to install the control to the wall, remove the mounting bracket wing nuts and the protective film of sticker behind the control. You can add a silicone bead to secure it.

DRILLING

Refer to the drilling template on the last page for the location and diameter of the holes.

KEYPAD INSTALLATION

1	Push wiring through drilled holes.
2	Remove protective film from watertight seal.
3	Secure keypad into place on either the deck or the wall by using 2, 8-32 x 1" studs and 2 wing nuts.
4	Tighten sufficiently to insure seal is airtight.




WARNING

• If control was not factory-installed, it will be attached to the turbine.

MIA® USER GUIDE

ON/OFF

On

Press the (on/off) key  to start or to stop the turbine and the Mia® control panel.

ADJUST AIR JET PRESSURE


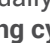
Air jet pressure can be adjusted for maximum comfort and a remarkably effective massage. Default pressure is set to 60%.

Increase or decrease the pressure of the air jets by repeatedly pressing the ▲ or ▼ keys until the desired intensity is reached.

TO ACTIVATE THE DRYING CYCLE

This function completely drains the conduits and dries them for 90 seconds, regardless of whether or not the system was activated. By eliminating any water left in the conduits, the **Drying cycle** ensures perfect hygiene.

- No stagnant water
- No water left over from the previous bath

To activate the **Drying cycle**, press . The operation will cease after 90 seconds. If you do not activate the function, the drying process will begin automatically after 15 minutes. If the bath is used for soaking only, activate the drying cycle manually by pressing . You can use the **Drying cycle** function immediately after a Hydro-thermo massage® session or whenever you wish.



MAIN FUNCTIONS

- Increase or decrease air jet pressure
- Activate **Drying cycle** function

NOTE

- The heat for the heated backrest is controlled simultaneously with the intensity of the jet pressure.

KEYS AND FUNCTIONS



Press this key to start or to stop the turbine and the MiaPlus® control panel.



Press this key to return to function adjustment. The Massage function appears on the screen by default.



Press either of these keys to navigate the main menu of the MiaPlus® control panel.

Press the ► key to see the next function.

Functions are displayed in the following order:

- Massage (air jet pressure)
- Duration
- Chroma (Chromatherapy option)
- Backrest (heated backrest)
- Care
- Geysair
- Save
- Drying cycle
- Lock
- Contrast (screen contrast)
- Language
- Contact us



Press either of these keys to navigate the options of each function.

Press the ▲ key to go up.

Press the ▼ key to go down.

OK

Press this key to save the selected options and settings.



MAIN FUNCTIONS

MiaPlus® lets you personalize your Hydro-thermo massage® with the following functions and options:

- Adjust air jet pressure
- Select duration of session
- Activate the Geysair (Warm air system)
- Select light color (Chromatherapy option)
- Adjust backrest temperature
- Personalize session settings for up to 4 different users
- Personalize drying cycle for the conduits
- Lock controls when bath is not in use
- Adjust screen contrast
- Select display language

Settings are automatically saved until they are modified.

MIAPLUS® USER GUIDE

MASSAGE

This function allows the user to regulate air jet pressure for personalized comfort and a remarkably effective Hydro-thermo massage®. The default pressure is the same as the previous bath.

Increase or decrease the pressure of the air jets by repeatedly pressing the ▲ or ▼ key until the desired pressure is reached. Pressure increases in 10% increments.

Pressing **OK** is optional.

DURATION

This function lets you program the duration of your bath from 5 to 30 minutes. The selected duration will remain in the memory until it is modified.

To select the Duration, press the ► key on the menu until the Duration function is displayed.

Select the desired duration using the ▲ or ▼ keys.

Pressing **OK** is optional.

Use the arrows ◀ or ▶ or the 🏠 key to return to the basic Massage screen.

CHROMA (OPTION)

This function uses color to provide increased comfort to body and soul.

To use the Chroma function, press the ► key on the menu until the Chroma function appears on the screen.

- To turn off the Chroma function, select Off. screen.
- The Chroma function will turn off by itself after 4 hours.



THE CHROMA FUNCTION FEATURES 8 OPTIONS

• Off	Deactivates the chromatherapy function.
• Violet	Immunizing and relaxing. Boosts the immune system, detoxifies the body, and reduces stress.
• Blue	Soothing and relaxing. Reduces arterial pressure and hyperactivity and soothes the soul.
• Green	Provides calm and balance. Relaxes entire body and stabilizes emotions.
• Yellow	Digestion and creativity. Helps digestion and regularity and calms brain activity.
• Orange	Healing and pain relief. Boosts respiratory system and soothes aching muscles.
• Red	Stimulating and exciting. Activates circulation and wakes up the senses.
• Scan	Goes through each color in turn.

NOTE

- Should you not see the colors on the screen, pressing ▼ the first time will start the color scan. Pressing a second time will freeze the lights on their color, and the third time will turn the lights off.

CHROMA (NEXT)

Choosing a color

Choose the desired color using the ▲ and ▼ keys.

Press **OK** to validate your choice of color.

Selecting Scan

Select the Scan option using the ▲ or ▼ keys.

Press **OK** to validate your choice.

Use the arrows ◀ or ▶ or the 🏠 key to return to the basic **Massage** screen.



BACKREST

For maximum relaxation and exceptional comfort, one or two heated backrests can be installed in your bath and heated individually.

Select the **Backrest** function by pressing the ▶ key until the **Backrest** function is displayed.

Four options are available:

- **Off**
- **Low**
- **Medium**
- **High**

NOTE: Models with 2 backrests will specify backrest 1 and backrest 2.

Choose the desired option using the ▲ or ▼ keys.

Press **OK** to validate your choice.

Use the arrows ◀ or ▶ or the 🏠 key to return to the basic **Massage** screen.

NOTE: Selecting the **Off** option will turn off the backrests.

MIAPLUS® USER GUIDE

CARE

This function lets you vary air jet intensity for a deeper or gentler massage.

To select the **Care** function, press the ► key on the menu until the **Care** function appears.

SEVEN options are available:

- **Massage** – Even intensity throughout the session
- **Geysair** – This function enables/disables the Geysair option. This function, if present, should normally remain activated for more comfort.
- **Wave** – Jet intensity cycles from 10% to maximum desired intensity
- **Bather 1, 2, 3, 4** – Stores each bather's selection

Use the ▼ or ▲ keys to select an option.

Press **OK** to validate your choice.

Use the arrows ◀ or ▶ or the 🏠 key to return to the basic **Massage** screen.



SAVE

The MiaPlus® control system lets you save up to four personalized presets. This save function lets you conveniently preselect settings adapted to various users or purposes. Simply set the functions and options according to your tastes and save them under Bather 1, Bather 2, etc. These personalized settings will stay saved until modified.

Select a bather and save personalized settings

Press the ► key on the menu until the Save function appears.

Use the ▲ or ▼ keys to select a user number.

Press **OK**.

Use the arrows ◀ or ▶ or the 🏠 key to return to the basic **Massage** screen.

Repeat these steps for each user.



DRYING CYCLE

This function completely drains the conduits and dries them for 90 seconds. By eliminating any water left in the conduits, the **Drying** cycle ensures perfect hygiene.

- No stagnant water
- No water left over from the previous bath

Drying is mandatory after a Hydro-thermo massage® session.

Two options are available:

- **After Bath**
- **Daily**

Even when the daily drying cycle is programmed, the automatic drying cycle will activate after each use.

Select After Bath

The **After Bath** option lets you program the Drying cycle to start up to 60 minutes after a bath.

To select the **After Bath** option, press the ► key on the menu until the Drying cycle function appears.

Use the ▲ and ▼ keys to select the **After Bath** option.

Press **OK**.

Dry Delay is displayed.

Press the ▲ key to select a value from 5 to 60 minutes.

Press **OK** to validate.

Use the arrows ◀ or ▶ or the 🏠 key to return to the basic **Massage** screen.

If no value is selected, the Drying cycle will start up automatically 15 minutes after the bath.



MIAPLUS® USER GUIDE

DRYING CYCLE (CONT'D)

Select Daily

The Daily option lets you dry and clean the air jet system conduits at a specific time of day rather than within an hour of a Hydrothermo massage® session.

To select the **Daily** option, press the ► key on the menu until the **Drying** cycle option appears.

Use the ▲ and ▼ keys to select the **Daily** option.

Press **OK**.

Start Time is displayed.

Use the ▲ or ▼ keys to select the time of day the **Drying** cycle function should start.

Press **OK**.

Actual Time is displayed.

Press and hold the ▲ or ▼ keys or press them repeatedly to set the preprogrammed current time in 10 minute slots.

Press **OK**.

Once the **Daily** option is set, the **Drying** cycle will start every day at the same time until the setting is modified.

Use the arrows ◀ or ▶ or the 🏠 key to return to the basic **Massage** screen.

NOTE: The time format is preset as follows:

French: 24 hour


English: 12 hour (AM and PM)

Spanish: 24 hour






LOCK

This function lets you lock the control system in order to prevent the turbine from starting unexpectedly or accidentally.


It is also a child safety device, as it prevents children from starting the turbine by pressing the  key.

To **activate** the **Lock** function

Press the  key on the menu until the **Lock** function appears.

Use the  or  keys to select the **Activate** option.

Press **OK** to validate your choice.

When you stop the bath, the **Lock** function locks the  key, making it impossible to restart the turbine.


To **restart the turbine when the Lock function is activated**

Press the  key.

Lock is displayed. Press **OK**.

The turbine starts.

To **deactivate** the **Lock** function

Press the  key on the menu until the Lock function appears.

Use the  and  keys to select the Off option.

Press **OK**.



CONTRAST

This function controls the brightness of the MiaPlus® display screen. No matter which setting you select, the screen is always clear and easy to read from any angle, regardless of the lighting conditions of the room where your bath is installed.

MIAPLUS® USER GUIDE

CONTRAST (CONT'D)

NOTE: The screen automatically dims after 2 minutes.

To set display screen contrast, press the ▲ or ▼ key on the menu until the Contrast function appears.

NOTE: Use the ◀ key to access this function more quickly when you start the turbine.

Press ▲ or ▼ until the desired percentage (%) of contrast is displayed.

Press **OK** to validate your choice.

Use the arrows ◀ or ▶ or the 🏠 key to return to the basic Massage screen.

LANGUAGE

The MiaPlus® control system lets you select one of the following three display languages:

- French
- English
- Spanish

NOTE: The factory-selected language is English.

To choose the display **language**, press the ◀ or ▶ key on the menu until the **Language** function appears.

NOTE: Use the ◀ key to access this function more quickly when you start the turbine.

Press ▲ or ▼ to select your desired language.

Press **OK**.

Use the arrows ◀ or ▶ or the 🏠 key to return to the basic Massage screen.



CONTACT US

Feel free to contact BainUltra for any information you may need about your ThermoMasseur® bath and the MiaPlus® control system.

Simply call the phone number that appears on this screen for answers to any question.

1.800.463.2187

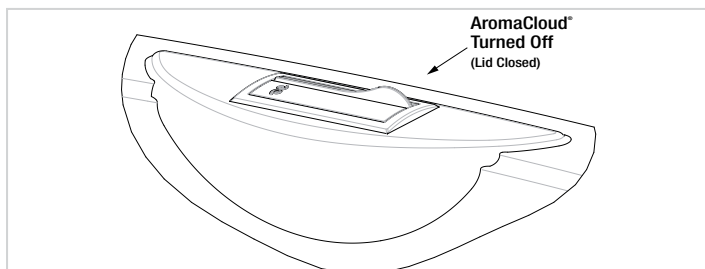
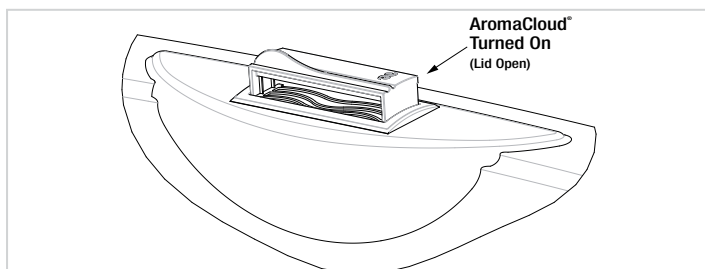
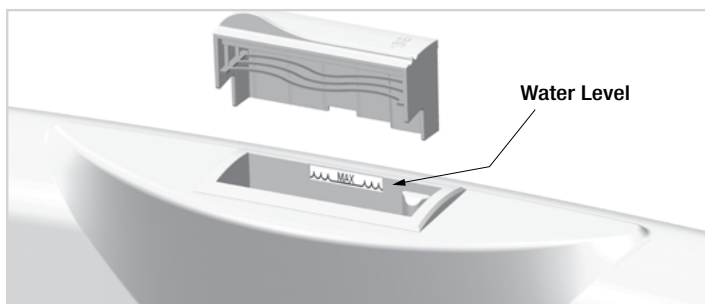
BainUltra wishes you complete relaxation!

AROMACLOUD® USER GUIDE

AROMACLOUD® ON/OFF

To turn on AromaCloud, lift the lid, pour water into the housing until it reaches the recommended level, add one or two drops of essential oils. Read carefully the recommendations below. Give the lid a half turn and then lower it again.

To turn AromaCloud off, give the lid a half turn.

 **WARNINGS**

- Essential oils contain active ingredients with high concentrations. Please consult an aromatherapist or a health specialist before using a new essential oil.
- Some essential oils may damage permanently the AromaCloud plastic. Avoid using dermocaustic essential oils (cloves, thyme, oregano, etc.), citrus based essential oils, and colored essential oils.

AROMACLOUD® USER GUIDE

MAINTENANCE / RECOMMENDATIONS

AromaCloud technology transforms liquid into vapor made up of microdroplets that travel through the air. It is thus crucial to use only quality water and essential oils. Hard, rusty, sulfurous or otherwise impure water may compromise AromaCloud performance and therapeutic benefits.

Essential oils must always be mixed with water in the AromaCloud housing.

One or two droplets are enough for a 30 minute session. If essential oil droplets are spilled directly onto the acrylic of your bath or the AromaCloud lid or housing, wipe off immediately.

When stored correctly, quality essential oils have a shelf life of several years without losing their properties. Always store essential oils in a cool, dark place to prevent oxidation.

Once your aromatherapy session is complete, soak up the water remaining in the housing using the sponge supplied with AromaCloud, to prevent it from eventually stagnating. Never use this sponge to clean the bath or on any other surface. The sponge should not be used to fill up your AromaCloud.

SECURITY / PREVENTION

- If the seal is broken, do not use product.
- Do not drink essential oils.
- Always keep essential oils out of reach of children.
- Do not expose the nose, eyes, or anal or genital mucous membranes.
- If an allergic reaction occurs, discontinue use.
- Avoid contact with eyes. If accidental contact occurs, carefully apply vegetable oil with a cotton swab. Do not rinse with water. Consult a physician immediately.

WARNING

Avoid using products that contain dyes, food coloring or other coloring agents, this will stain or damage the acrylic surface of your bath. Always read the manufacturer's specific instructions before adding to bathing water. Any use of a product containing methyl salicylate, such as Wintergreen oil, is prohibited.

MAINTENANCE

ACRYLIC

Technical information

- All BainUltra ThermoMasseurs® are made of 100% pure high quality acrylic.

Maintenance

- Clean acrylic with a mild non-abrasive product.
- Abrasive products such as powder, paint thinners, turpentine and gas can damage the shine and lustre of the acrylic.
- For particularly tough stains, use a small amount of wood alcohol (methyl hydrate).

Safety instructions

- When applying wood alcohol (methyl hydrate), use gloves to protect hands. Rinse thoroughly after use.
- Ensure that essential oils or other therapeutic products added to bath water will not damage the acrylic finish.

⚠ WARNING

Any use of a product containing methyl salicylate, such as Wintergreen oil, is prohibited.

The BainUltra ThermoMasseur® is as simple to care for as a conventional acrylic bath. There are no pumps, valves, pipes, nor accessories to take apart or clean. Thanks to its design, the system is perfectly hygienic and completely dry. The automatic and programmable drying cycles completely empty the air channels. No standing water. Nothing left over from the previous bath. The user does not have to worry about the air channels, the Geysair nor the turbine. Simply clean the surface of the bath with a non-abrasive cleanser.


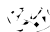
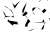




	Scratch
	Paper grade 220
	Paper grade 400
	Paper grade 600
	Paper grade 800
	Paper grade 1200
	Polish

Table - Sandpaper grade

ACRYLIC (MINOR REPAIRS)

Maintenance

- For minor surface damage, use a polishing putty for acrylic surfaces or automobiles.

Safety instructions

- Follow polish manufacturers' instructions.

IMPORTANT • Any product added to your ThermoMasseur® must be dissolved in the water or if not, be mixed with an emulsifier. See the Guide to your Wellness for more details : www.bainultra.com/sites/default/files/product_files/wellnessguide.pdf in order to ensure the longevity of your bath's acrylic as well as the efficiency of its system, along with the exceptional quality of care offered by your BainUltra bath.

MAINTENANCE

ACRYLIC (DEEPER SCRATCHES)

Maintenance

- For slightly deeper scratches, sand the spot with a wet sandpaper before polishing.
- Depth of abrasion or scratch will determine grade of sandpaper required:
 - **Slight to moderate damage** – Grade 600, 800, then 1200 sandpaper
 - **Deeper damage** – Grade 400, 600, 800, then 1200 sandpaper
- When sanding, start with lowest grade sandpaper (e.g. 400), working your way up as you sand a slightly larger area with each new grade. Finish with polishing putty.

ACRYLIC ULTRA VELOUR MATTE FINISH (Available on specific models)

- Clean the acrylic with a cloth and a mild non-abrasive soap.
- For stubborn stains, use isopropyl alcohol (rubbing alcohol), and rinse at the water.
- For encrusted stains such as grease, oils, cosmetics, or marks left by rubbing with another object, use a "Magic Eraser" type cleaning sponge and rinse with water.
- To restore the original satin finish after intensive scrubbing, sand the rubbed portion in small circular movements with grade 220 sandpaper, and finish with the brown 3M Scotch-Brite™ pad # 7447, available at hardware stores. Do the same for surface scratches, or for any stain that could not be removed with a cleaning sponge.
- For the use of any product other than those mentioned in this document, first make a test on a small, less visible surface before completely cleaning the bathtub.
- If in doubt, please contact our technical service.

SYSTEM

• Technical information

- The automatic drying cycle activates a programmable time from 5 to 60 minutes after each use to ensure perfect hygiene of the air channels.
- It is normal to hear the turbine working at a certain time of day. This means that the drying cycle has been programmed.

Maintenance

- **BainUltra® recommends to start the drying cycle everytime the bath is used as a shower or just to soak. In the case this procedure was not followed, here are the instructions for cleaning the air channel.**

It is recommended to perform the following cleaning steps **every four (4) months**.

- Add water up to 5 cm above the level of the jet holes.
- Incorporate 4 liters of Clorox bleach (4%) to reach a 2500 ppm concentration.
- Leave to soak for 5 minutes (For a concentration of 1000 ppm, the duration is 10 min).
- Start the jets
- Drain the bath
- Rinse the bath using the hand showers

MAINTENANCE

AKASA® comfort cushion and pillow (Technogel)

- Clean with water only.
- Any cleaner / soap may affect the aesthetic and adhesive characteristics of the product.

ARMREST & METALLIC FEET PLATED OR PAINTED

- In most cases, a little soapy water or mild detergent (dishwashing) is sufficient.
- For stubborn stains, a mixture of water and vinegar or isopropyl alcohol can be used.
- For encrusted stains such as grease, oils, cosmetics, or marks left by rubbing with another object, use a cleaning sponge of the "Magic Eraser®" type, and rinse with water.
- As a preventive measure, it is suggested to apply a protective wax such as "faucet wax + MD" on exposed surfaces.
- Any cleaning products other than those described above could degrade the surface finish. We advise you to carry out a test on a less visible portion before attempting to clean the soiled area.

QUARTZ DECK

- In most cases, a little soapy water or mild detergent (dishwashing) is sufficient.
- For stubborn stains, a mixture of water and vinegar or isopropyl alcohol can be used. The main manufacturers of quartz panels recommend the use of specialized liquid cleaning products such as "Method Daily Granite" or "Bar Keepers Friend", available in most large-scale hardware stores.
 - Residues stuck on the surface such as food, gum, or nail polish can be removed by scraping with a flexible plastic spatula, and any marks left by the blade can be easily removed with one of the solutions described above.
 - Rinse with cold water to remove residue, and your surface will look like new.
 - Any cleaning products other than those described above could degrade the surface finish. We advise you to carry out a test on a less visible portion before attempting to clean the soiled area.

NOTE: • BainUltra cannot be held responsible for any damaged surface following the use of a cleaning product other than those recommended listed above.

TROUBLESHOOTING

Your BainUltra ThermoMasseur® has been manufactured and inspected with the greatest care. In addition, it has been thoroughly tested on a test bench to offer you a product of superior quality satisfying your highest expectations. The following troubleshooting chart will assist you in correcting a problem. If you continue to have problems, contact your retailer or the manufacturer.

SITUATION	SOLUTIONS
Your bath will not start	<ul style="list-style-type: none"> • Make sure the breaker is "ON." • Shut off and restart breaker. • Check junction box connections to bath (for Canada only).
Breaker trips continually	<ul style="list-style-type: none"> • Make sure that your bath is the only appliance connected to circuit. • Check for a short circuit between bath and breaker box. • Breaker may too sensitive, defective or old. Try a new breaker. This component must be new.
Turbine stops working after only a few minutes	<p>Turbine and air-heater are equipped with heat sensors designed to cut off power in case of overheating. Insufficient air circulation may be the cause.</p> <ul style="list-style-type: none"> • Make sure turbine has sufficient ventilation. • Make sure turbine intake is not obstructed.
A few airjets do not work at lowest speeds	<p>To meet everyone's needs, particularly those of children, your bath is designed to work at a very low speed. Air jets in half-seat (when applicable) or those closest to drain in other collections especially larger models, may remain inactive at lowest speeds. This is normal and can be easily remedied by slowly raising speed to "open" inactive air jets and then lowering it to desired level. Furthermore, your bath is pre-programmed in the factory at a low, regular or high intensity depending on the size. To change the intensity level, please contact BainUltra directly. Certain conditions may amplify this occurrence.</p> <ul style="list-style-type: none"> • Check for turbine intake obstruction, too great a distance between turbine and bath, too many directional changes (elbows), and, if adequate piping has been used. See pp 24-25 Turbine Remote Installation.

TROUBLESHOOTING

SITUATION	SOLUTIONS
<p>Air jets are cool.</p>	<p>Temperature of air injected into bath is directly proportional to the speed of the turbine. The higher the speed, the warmer the air is. A simple way to check if your air-heater or heaters are working properly is to turn on the system at the highest speed (if your control offers a range of intensities) with no water in the bath (there is absolutely no risk to the system). After 3 to 5 minutes, the heated backrest or backrests should be warm to the touch and jets should also seem warm when you bring your hands close to them.</p> <ul style="list-style-type: none"> • Check the turbine air intake. It should not be too cold nor too warm. Ideally, the temperature should be between 72°F (20°C) and 86°F (30°C). • Check that distance between turbine and bath is not too great. If possible, insulate air line along its entire length. See turbine installation section of this manual. <p>Bath with Geysair</p> <ul style="list-style-type: none"> • The Geysair option is not activated on the control panel. • The Geysair hot water supply hose is not connected. • The Geysair hot water supply hose is connected to a cold water supply. • The hot water hose is too long or not properly insulated. • The Geysair intensity regulator is obstructed. • For any remote installation, the turbine and the Geysair are not properly connected. • If using a tankless water heater, insure minimum water flow activation is adequate. • If minimum flow activation of your tankless water heater is higher than 0.13 GPM, have a recirculating loop installed by a certified plumber or install a point of use water tank (2,5 gallons for example) dedicated to Geysair.
<p>Jets are too hot.</p>	<ul style="list-style-type: none"> • Deactivate the Geysair option, if applicable. • If the Geysair option is installed on the bath, lower the temperature of the water heater.
<p>Chromatherapy lights don't work.</p>	<p>A LED has a 100 000-hour lifecycle.</p> <ul style="list-style-type: none"> • Verify wiring and connections. • Unplug and plug again LED module power supply. You should see a light flash in every LED. If not, check your power source. If LED flash but still don't work, please call BainUltra.

TROUBLESHOOTING

SITUATION	SOLUTIONS
WarmTouchShell® is not working.	<ul style="list-style-type: none"> • Check that keypad light is working. • Make sure breaker is “on.” • Shut “off” and restart breaker. • Check connections in the bath junction box (Canada only).
AromaCloud® is not working.	<ul style="list-style-type: none"> • Check that there is water in the unit, and it is filled to the recommended level. • Make sure the water is clean, and free of suspended particles (limestone, rust, etc.) • Check that the lid is correctly positioned on the housing. • Make sure breaker is “on.” • Shut “off” and restart breaker. • Check connections in the bath junction box (Canada only).

BAINULTRA LIMITED WARRANTY

BAINULTRA THERMOMASSEUR®: 20 YEARS, VEDANA®: 5 YEARS

LIMITED WARRANTY

This limited warranty is extended only to the original purchaser of the unit who has possession of his or her receipt of purchase, and is valid only when the unit has been purchased through an authorized Bains Ultra Inc. ("BainUltra") retailer and has been registered with BainUltra (registration not required for consumer purchasers domiciled in the Province of Québec). This warranty is not transferable under any circumstance. Please note that you are responsible for inspecting the product and all parts prior to installation. This warranty will not apply if a product with visible defects has been installed without providing notice to BainUltra of the defect.

Your BainUltra ThermoMasseur®, or BATH is covered by the best warranty in the industry. BainUltra guarantees the acrylic and motor turbine of your bath for a twenty-(20) year period from the original purchase date against defects in materials and workmanship.

In the case of the electronic components of the therapeutic baths, Vedana parts and the new technologies Geysair, AromaCloud®, WarmTouchShell® and Illuzio chromatherapy. BainUltra guarantees against defects in materials and workmanship for a five-(5) year period from the original purchase date.

Towel bars, grab bars and claw feet are guaranteed for a two-(2) year period.

The wastes and overflows are guaranteed for a one-(1) year period from the original purchase date.

The Akasa® Bath Pillow and Comfort Cushion are guaranteed for a two (2) year period.

For the wooden complementary product Akasa (Chair, footrest, legrest, espalier), BainUltra guarantees that, in their original manufacturing form, these parts are free of any manufacturing, dimensional or strongly apparent natural defects for a one-(1) year period from the original purchase date.

Tile flanges are guaranteed prior to installation only.

BainUltra products used FOR COMMERCIAL USE, SUCH AS INSTALLATIONS IN HOTELS/HOSPITALITY/SPAS OR DISPLAY APPLICATIONS will be limited to a TWO-(2) YEAR WARRANTY against defects in materials and workmanship regardless of the specific nature of any potential defects.

BainUltra products sold outside of North America will be limited to a parts-only warranty through the dealer of the sale. Our service department will help diagnose any problems with your unit and will provide parts only for repairs or replacements covered by the warranty. All parts will be shipped to the dealer in North America. BainUltra will not be responsible for cost of shipping or servicing outside of North America. Any part that must be changed during the warranty period will be covered by the original warranty or for a two-(2) year period following replacement, according to the first contingency.

EXCLUSIONS

The above-stated limited warranty applies as long as: i) the damage is not caused by an accident, abuse, misuse, fire, insects, use of abrasive products, force majeure or an act of God. The above-stated limited warranty does not apply to:

i) Transport, handling or installation damages; or ii) wood components that will, because of their organic nature, expand when exposed to seasonal changes, normal heating variations and normal exposure to sunlight which will slightly alter the wood tint.

Moreover, this warranty is void if: i) your BainUltra ThermoMasseur® bath, your Vedana®, or any other BainUltra product is installed by anyone other than a licensed contractor; ii) your BainUltra bath, your Vedana®, or any other BainUltra product or part thereof has been modified or if any repairs have been attempted by anyone other than BainUltra, an authorized BainUltra dealer, or other representative of BainUltra; or iii) the unit is installed outdoors, or has not been installed in accordance with BainUltra's instructions, or in compliance with local codes and ordinances.

Because of their organic nature, wood components will expand and contract with seasonal changes and normal heating variations. With time, normal exposure to sunlight will slightly alter the wood tint. These changes are not covered by the warranty.

Any and all components that are not provided by BainUltra, as well as any items attached or installed on your BainUltra ThermoMasseur®, your Vedana®, or on any other BainUltra product after the date of manufacture are expressly excluded from this limited warranty.

This limited warranty does not cover any breakage and/or damage resulting from improper (non-factory) installation of AromaCloud® technology. For further information, refer to the AromaCloud® Localisation document.

PROCEDURE

Any defect involving BainUltra's potential liability under this limited warranty shall be reported to BainUltra within ten (10) days of its occurrence. To assist you with your warranty, please contact BainUltra's customer service by email, telephone or fax between 8 a.m. to 6 p.m.

Monday to Thursday (EST) or 8 a.m. to 5 p.m. on Friday (EST).

Email: info@bainultra.com

Tel.: 1 800 463-2187 or 418 831-7701

Fax: 1 800 382-8587 or 418 831-6623

BainUltra Inc.

956, chemin Olivier

Lévis, Québec

Canada G7A 2N1

Proof of purchase and date of purchase will be required. Units claimed to be defective shall be held until inspected by an authorized representative of BainUltra, and upon their specific instructions, units found to be defective will be repaired or replaced at BainUltra's exclusive choice. The liability of BainUltra with respect to the sale of this unit shall be limited to repair or replacement by a similar product as provided above and does not include any cost of removal, reinstallation, transport and shipping of defective product, loss of time, salary or any other expenses as well as any consequential damages of any kind.

BainUltra and its representatives shall not be liable for any injury, loss, cost or other damage, whether direct, consequential, incidental, or special, that arise from any defect covered under this limited warranty, even if BainUltra has been advised of the possibility of such damage. Some states and provinces may not allow the exclusion or limitation of incidental or consequential damages, so the above limitation or exclusion may not apply to you, but these limitations or exclusions will be enforced to the maximum extent of the law.

An adequate access way to mechanical and electrical parts of your BainUltra ThermoMasseur® bath, your Vedana®, or any other BainUltra product must be anticipated and prepared before an authorized representative arrives on the premises to carry out a repair. The costs incurred to provide access to the motor turbine, the electronic module or the heating system will not be covered by this warranty.

LIMITATIONS

Except for consumer purchasers domiciled in the Province of Québec, and except to the extent prohibited by applicable law, this limited warranty replaces all other warranties, expressed or implied, in fact or at law, including implied warranties based on course of dealing, usage of trade, and merchantability and fitness for a particular purpose. (Inapplicable in Québec). The terms of this limited warranty cannot be modified or extended in any way whatsoever by any agent, dealer, distributor, service company or party other than BainUltra.

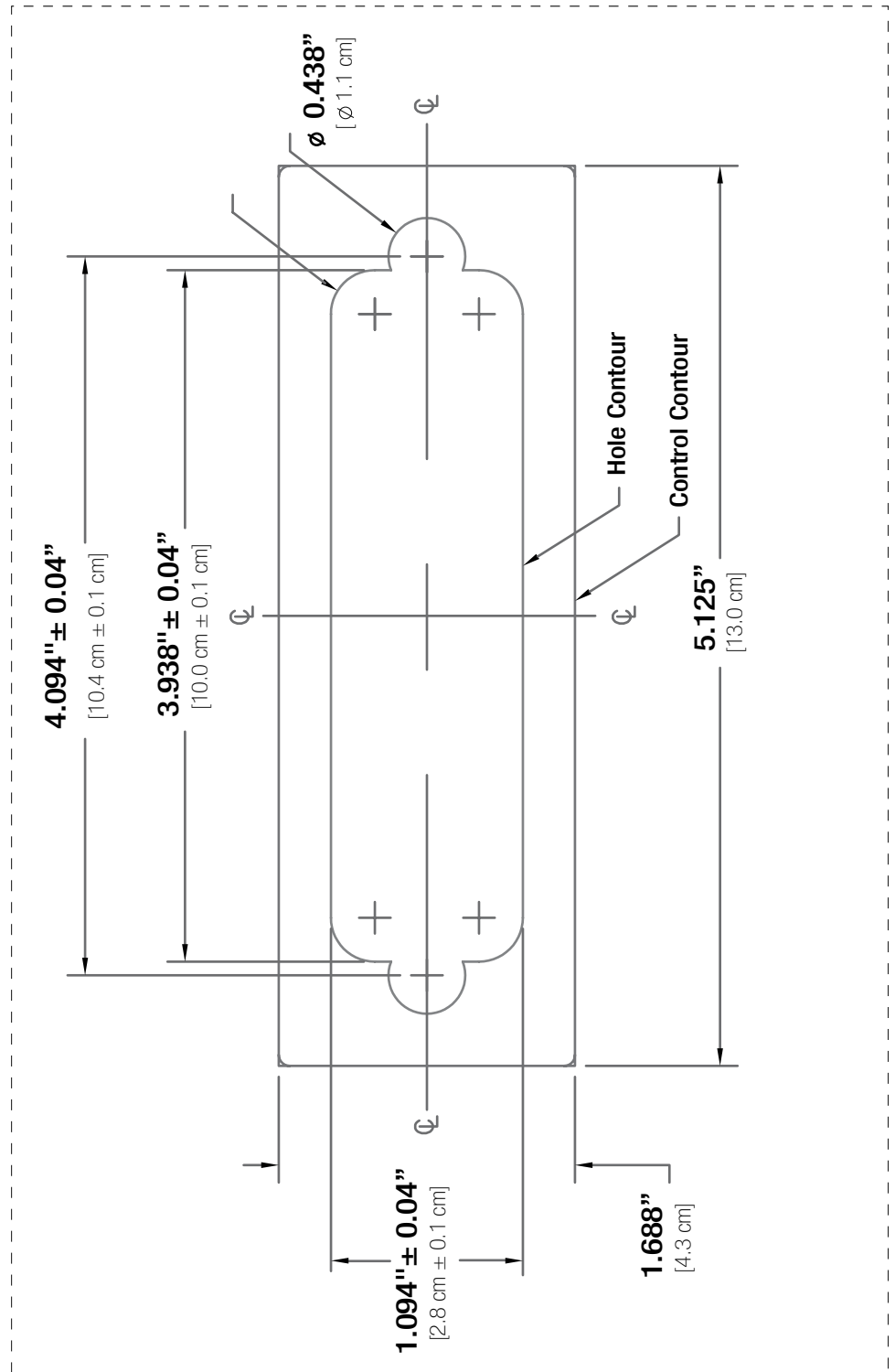
BainUltra excludes any statement in any advertisement or instruction, any picture, or any guideline as an express warranty for our products. We recognize that some states and provinces may not allow limitations on implied warranties, so the above limitations and exclusions may not apply to you, but they will be enforced to the maximum extent of the law.

LEGAL RIGHTS

This limited warranty gives specific legal rights and is not applicable if it interferes with any law or regulation in any state, province or country.

DRAWING OF MIA® CONTROL HOLE

IMPORTANT
Drawing is to scale.



MIAPLUS® DRILLING TEMPLATES

DRAWING OF MiaPlus® CONTROL HOLE

IMPORTANT
Drawing is to scale.

