



SCALA™

INSTALLATION INSTRUCTIONS

IMPORTANT INFORMATION FOR THE INSTALLER AND THE OWNER

 BainUltra®

TO BE KEPT BY THE OWNER

TABLE OF CONTENT

IMPORTANT SAFETY INSTRUCTIONS 1

PARTS & TOOLS 3

SITE PREPARATION 6

INSTALLATION WITH ACCESS UNDER THE FLOOR 8

1 PLUMBING 8

2 INSTALLATION 10

INSTALLATION WITHOUT ACCESS UNDER THE FLOOR 11

1 PLUMBING 11

2 INSTALLATION 12

REMOTE MOUNTING OF TURBINE 14

1 TURBINE & GEYSAIR (THERMOMASSEUR) 14

2 INSTALLATION 15

3 ELECTRICAL CONNECTION (THERMOMASSEUR) 16

4 ELECTRICAL CONNECTION OF OPTIONS 16

ELECTRONIC CONTROLS 17

1 MIAPLUS 17

2 DOT 17

ELECTRICAL SECTION 18

1 ELECTRICAL CONNECTIONS FOR REMOTE MOUNTING OF TURBINE AND THERAPIES 18

2 ELECTRICAL CONNECTIONS FOR REMOTE MOUNTING OF THERAPIES (BATHS WITHOUT AIR JETS) 19

3 ELECTRICAL DIAGRAMS 20

CUTTING TEMPLATES OF ELECTRONIC CONTROLS 21

IMPORTANT SAFETY INSTRUCTIONS
PERTAINING TO RISKS OF FIRE, ELECTROCUTION OR PERSONAL INJURY

READ AND FOLLOW ALL INSTRUCTIONS • SAVE THESE INSTRUCTIONS

THIS DOCUMENT SUPERCEDES THE INSTALLATION INSTRUCTION IN THE OWNER'S MANUAL.

 **WARNING**

- Risk of hyperthermia; people using medication and/or having an adverse medical history should consult a physician before using a Hydro-thermo massage® bathtub equipped with a heater.
- Risk of hyperthermia and possible drowning: do not use a Hydro-thermo massage® bathtub equipped with heater immediately following strenuous exercise.
- Risk of fetal injury; pregnant or possibly pregnant women should consult a physician before using a Hydro-thermo massage® bathtub equipped with a heater.
- Risk of accidental injury or drowning; do not use drugs or alcohol before or during the use of a Hydro-thermo massage® bathtub equipped with a heater.
- Use this unit only for its intended purposes or as described in this manual. Use only accessories or devices recommended by the manufacturer.
- Risk of hyperthermia and possible drowning. Check and adjust water temperature before use. Water temperature exceeding 100°F (38°C) may be harmful to your health.
- To reduce the risk of injury, as with any other conventional bath, do not allow children or physically impaired people to use this unit unless they are closely supervised at all times.
- To avoid injury, exercise care when entering or exiting the Thermomasseur®.
- The Geysair should always be connected to the hot water intake. If it is not the case, then, the Geysair should be deactivated via the bath control.

RISK OF ELECTRICAL SHOCK

- Disconnect electric power before servicing.
- Do not permit electrical appliances (hair dryer, lamp, telephone, radio, television, etc.) within 5' (1,5 m) of the Thermomasseur®.
- Before using the Thermomasseur®, its installation should be completely finished so that a bather cannot accidentally come in contact with electrical components (turbine and power module).
- For indoor use only.


IMPORTANT SAFETY INSTRUCTIONS

PERTAINING TO RISKS OF FIRE, ELECTROCUTION OR PERSONAL INJURY

READ AND FOLLOW ALL INSTRUCTIONS • SAVE THESE INSTRUCTIONS

THIS DOCUMENT SUPERCEDES THE INSTALLATION INSTRUCTION IN THE OWNER'S MANUAL.

ELECTRICAL CONNECTIONS:

- Never drop or insert objects into any openings.
- The Thermomasseur® must be connected only to a supply circuit that is protected by a 20 amp class A ground fault circuit interrupter (GFCI). Optional therapies such as Chromatherapy and/or 2nd heated backrest and/or WarmTouchShell® must be connected to a supply circuit that is protected by a 15 amp class A ground fault circuit interrupter (GFCI). This interrupter is supplied by a certified electrician and must be tested on a regular basis in accordance with manufacturer's instructions. The GFCI ground must be connected. If defective, do not use the Thermomasseur®. Disconnect immediately and call a certified electrician.
- Use 12 AWG (for 20 amp dedicated circuit) and 14 AWG (for 15 amp dedicated circuit) copper conductors that resist temperatures of at least 194 °F (90 °C)
- Canada only: for permanently connected units. A green-colored terminal (or a wire connector marked g., gr., ground or grounding) is provided within the terminal compartment (not applicable if unit supplied with an electric plug). To reduce the risk of electrocution, connect this terminal or connector to the grounding terminal of your electric service or supply panel with conductor equivalent in size to the circuit conductors supplying the equipment and be 12 AWG or more.
- All electrical connections must be carried out by a certified electrician and must respect federal, provincial/state, and local building codes and regulations.
- Install in accordance with manufacturer's installation instructions.
- For Geysair-equipped baths using remote turbine installation (not mounted on the bath), grounding continuity must be tested between the bath grounding terminal  and the bath power supply. Failure to perform the grounding continuity test could result in serious personal injury.

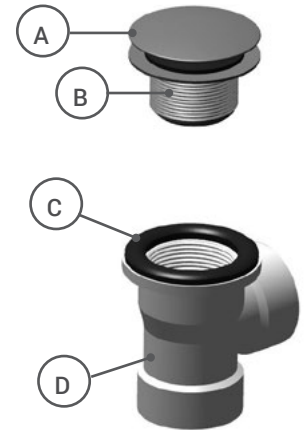
WATER LEAK TEST - IMPORTANT

- Once plumbing is fully installed and before beginning any other work, fill the ThermoMasseur® with water to overflow level and wait 30 minutes. Check all plumbing hook-ups and bath for leaks. BainUltra® is not responsible for any water damage caused by improper installation (see Warranty section in the Owner's Manual).

PARTS & TOOLS REQUIRED

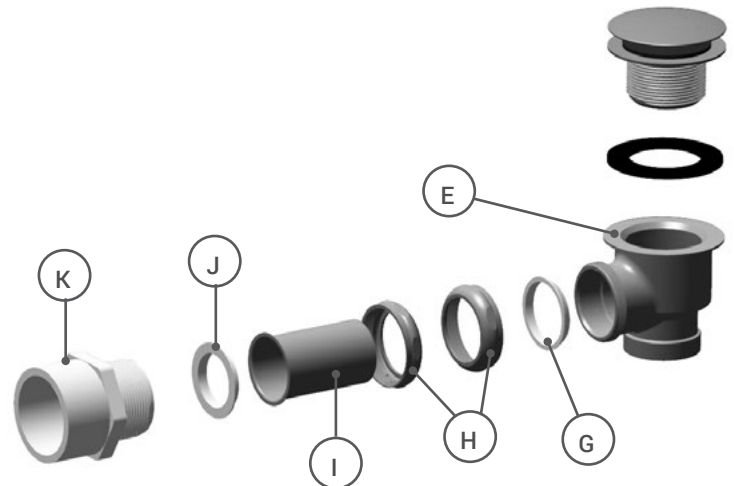
STANDARD PARTS - PLUMBING

	DESCRIPTION	QTY
A	Plated drain clicker	1
B	Strainer	1
C	Rubber seal	1
D	Tee PVC Drain shoe	1



OPTIONAL PARTS - PLUMBING

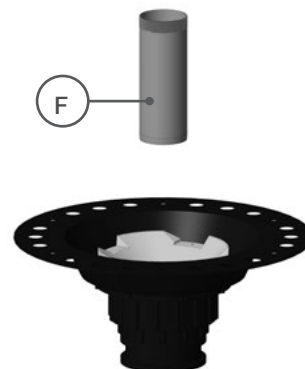
	DESCRIPTION	QTY
E	Brass drain shoe	1
F	8 in. brass tailpiece	1
G	Nylon conic shaped seal for drain	1
H	Brass nut	2
I	Brass pipe 1-1/2" x 3" with flange	1
J	Nylon flat seal with flange	1
K	1-1/2" male threaded adaptor	1



OPTIONAL PART - PLUMBING*

ISLAND TUB DRAIN® (ITD) SET

- Makes installation and servicing easier for removal of bath.
- Allows you to connect the bath drain tailpiece to the plumbing pipe without need for tightening to seal once the bath is lowered to the floor.
- SET INCLUDES A CONIC SHAPED SEAL AND A 8 IN. (20 CM) BRASS TAILPIECE.

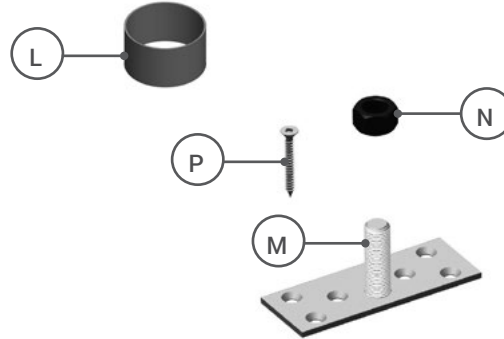


*: REQUIRED WHEN NO ACCESS IS POSSIBLE UNDER THE FLOOR.

PARTS & TOOLS REQUIRED

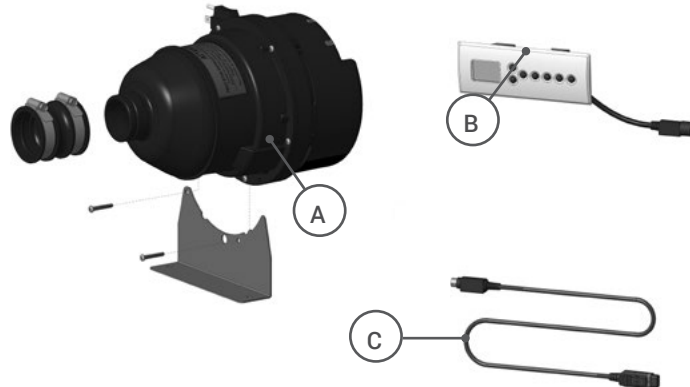
STANDARD PARTS- FLOOR ANCHOR & ACCESSORIES

	DESCRIPTION	QTY
L	Pipe Concealer	2
M	Threaded anchor	2
N	1/2-13 zinc nut	2
P	#10 X 1-1/2" Countersunk head screw	12



STANDARD PARTS – THERMOMASSEUR®

	DESCRIPTION	QTY
A	Turbine	1
B	MiaPlus® Control	1
C	15' control cable	1



PARTS & TOOLS REQUIRED

PARTS & TOOLS

Cutting template

48-inch level

Measuring tape

Teflon tape

ABS & PVC Glue

Square/Phillips #2 Screwdriver

3/4" Ratchet

Adjustable clamps



SITE PREPARATION

PLUMBING

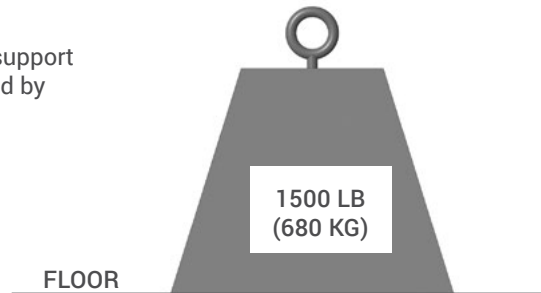
- See faucet manufacturer's specifications for zoning and plan water supply location accordingly.
- Position drain according to bath's technical specifications.
- Leave access to Geysair jonction hose.

WARNING

- Baths from SCALA™ collection cannot be drilled for faucet installation. Faucets must be freestanding or wall-mounted models.

BEDDING

- Before installing, ensure that the floor underneath the bath can support 1500 lb (680 kg). No special bedding installation is recommended by manufacturer, the bathtub can sit directly on the floor.



There is a technical specification sheet for each BainUltra® ThermoMasseur® which includes information such as necessary dimensions of site before installation.

If you do not already have the technical specifications, download it from the BainUltra® Web site at: bainultra.com or call us at: 1 800 463-2187.

SITE PREPARATION

TURBINE - REMOTE INSTALLATION

1. A 1 ½ inch ID pipe has to run from the tub, back to the turbine location. This pipe can be PVC Tigerflex (spa hose) or rigid PVC or ABS
2. Maximum distance is 15 feet from the tub, indoors, in a room temperate setting (not outdoors or in a non-temperature controlled area)
3. Minimum size for an enclosure for the turbine: 16" x 16" x 16"
4. Make sure to leave access for servicing needs
5. The enclosure should have a minimum 4x2 inch opening so the turbine works properly. Not doing so will starve the blower of air. It will eventually fail and void its warranty
6. A 20 Amp GFCI (12AWG) 120V dedicated line is needed for the turbine (GeysAir is powered by the turbine). If you have additional options on the bath (one or more) a second dedicated line is needed, 15 Amp GFCI 120V (14AWG)

GEYSAIR®

1. Geysair is installed on the tub from the factory and must not be relocated. It gets its power from your turbine. So per your local electrical code, you may have to use a solid core wire (14AWG) and run it in between the blower location and the tub. This may require a proper conduit for high voltage wires if installed in a cement slab for example.
2. Geysair connects to the hot water line that you are providing to your faucet at the tub. It uses a 3/8 compression thread.

LED (CHROMATHERAPY) AND 2nd HEATED BACKREST

1. The power modules (inMix module, Litestreme) have to be installed next to the turbine.
2. The wires have to be sent from the tub back to the turbine location.
LED: Low voltage for the Chromatherapy .
2nd heated backrest: High voltage (1 wire 14AWG).

ELECTRONIC CONTROL (KEYPAD)

1. A large majority of our freestanding tubs require that the keypad be installed on the wall and not on the tub. You can use silicone to adhere it to your wall instead of the bracket and wing nuts.
2. The infra-red receiver is normally installed a couple of inches away from the keypad, side by side.
3. Both the infra-red and keypad should be in line of sight from the tub sitting position. But they can be separated.
4. The keypad and infra-red receiver (low voltage wires) each have a 15 foot cable that has to run from the wall position back to the turbine. Extensions are available if needed.
5. You can use a conduit to feed these wires as well if needed.

ISLAND TUB DRAIN

1. The ITD is strongly recommended when you have no access under the floor.
Refer to: INSTALLATION WITHOUT ACCESS UNDER THE FLOOR, page 11.

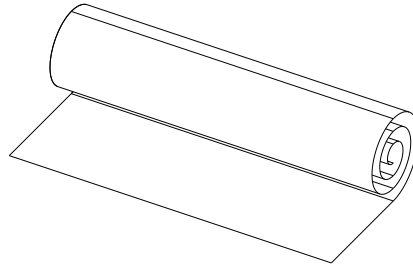
If you have any other questions, please give us a call at technical support (1-888-763-4444).

INSTALLATION WITH ACCESS UNDER THE FLOOR

PLUMBING PREPARATION – FLOOR LAYOUT FOR PIPES AND ACCESS

SCALA

NOTE: Please refer to the Cutting Template provided with your SCALA bath. However, if it is missing, please contact us at 1-800-463-2187 to order it.

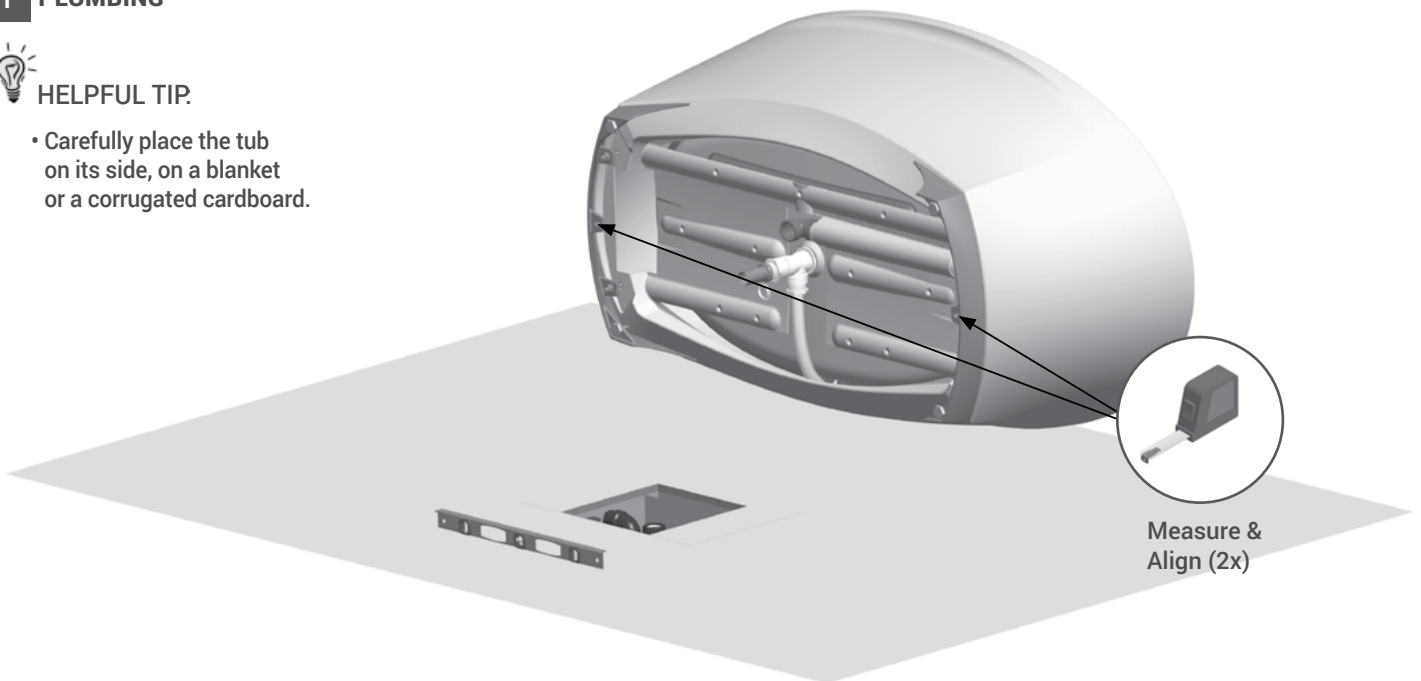


1 PLUMBING



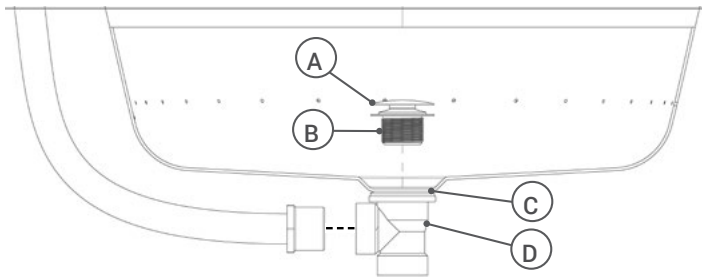
HELPFUL TIP:

- Carefully place the tub on its side, on a blanket or a corrugated cardboard.

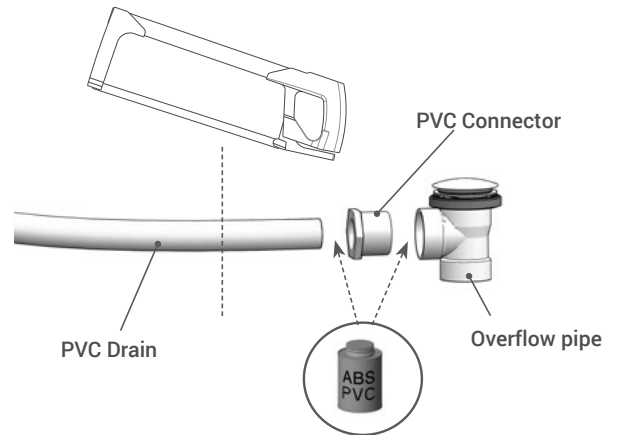


INSTALLATION WITH ACCESS UNDER THE FLOOR

STANDARD PARTS - PLUMBING		
	DESCRIPTION	QTY
A	Plated drain clicker	1
B	Strainer	1
C	Rubber seal	1
D	Tee PVC Drain shoe	1

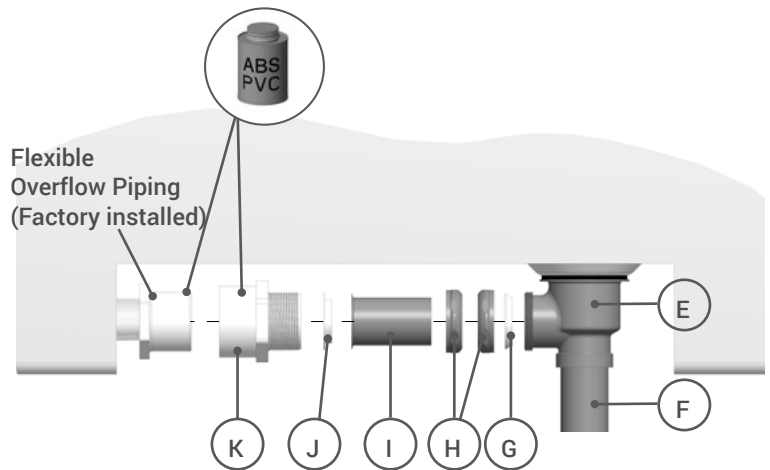


FOR TIGERFLEX OVERFLOW ONLY



NOTE: If necessary, cut the overflow pipe to the desired length, and glue it to the PVC connector and to the drain.

OPTIONAL PARTS - PLUMBING		
	DESCRIPTION	QTY
E	Tee Brass drain shoe	1
F	8" brass tailpiece	1
G	Nylon conic shaped seal for drain	1
H	Brass nut	2
I	Brass pipe 1-1/2" x 3" with flange	1
J	Nylon flat seal with flange	1
K	1-1/2" male threaded adaptor	1



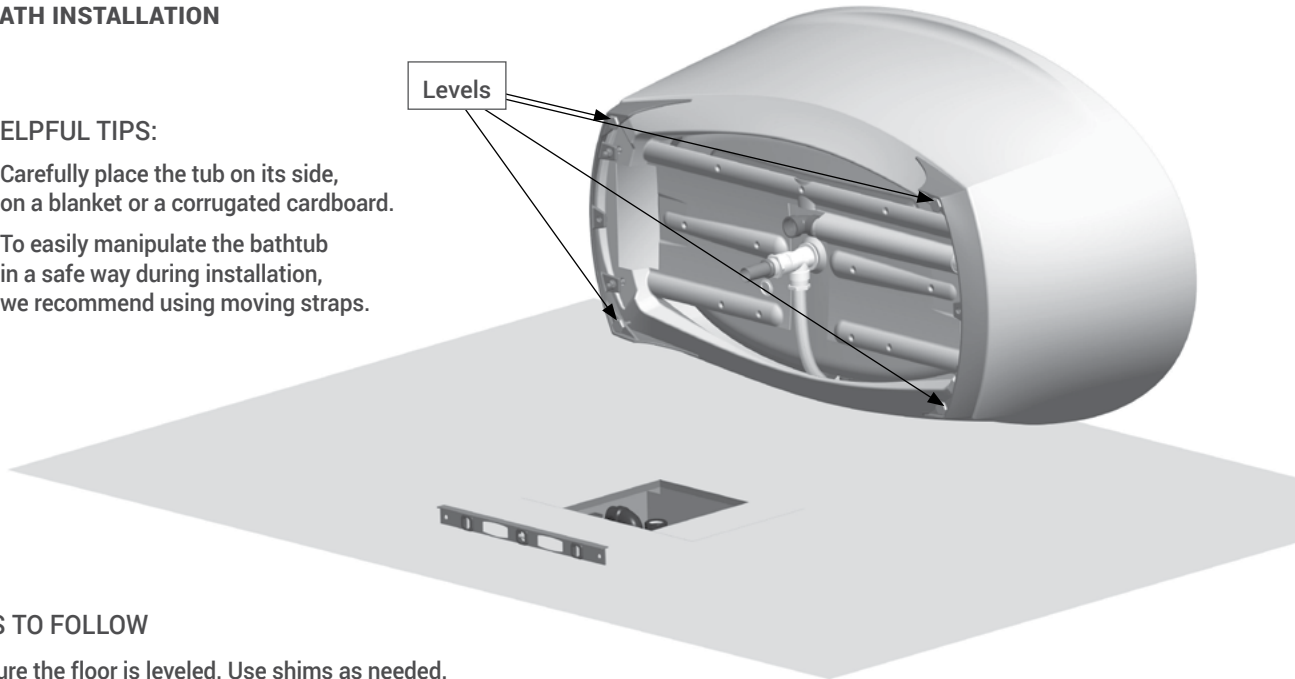
INSTALLATION WITH ACCESS UNDER THE FLOOR

2 BATH INSTALLATION



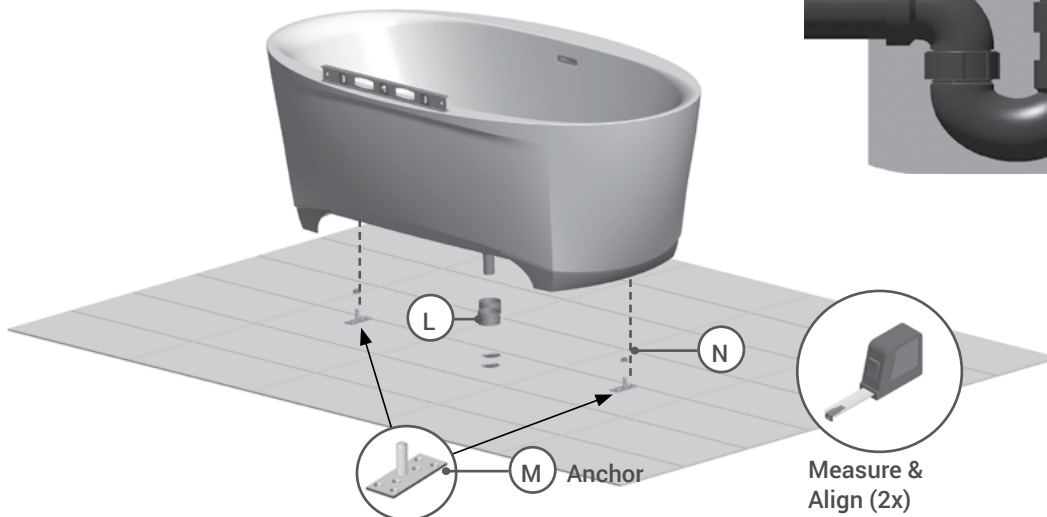
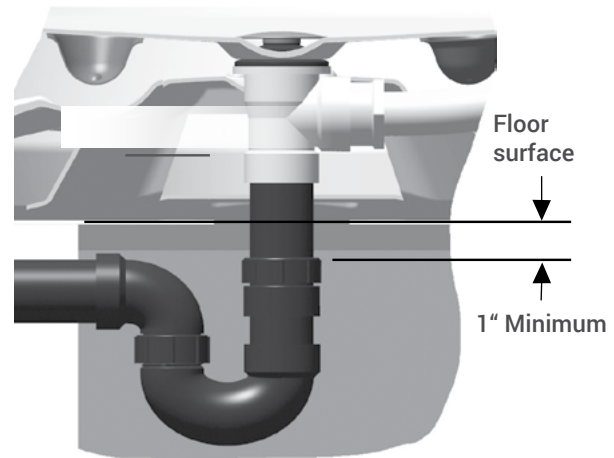
HELPFUL TIPS:

- Carefully place the tub on its side, on a blanket or a corrugated cardboard.
- To easily manipulate the bathtub in a safe way during installation, we recommend using moving straps.



STEPS TO FOLLOW

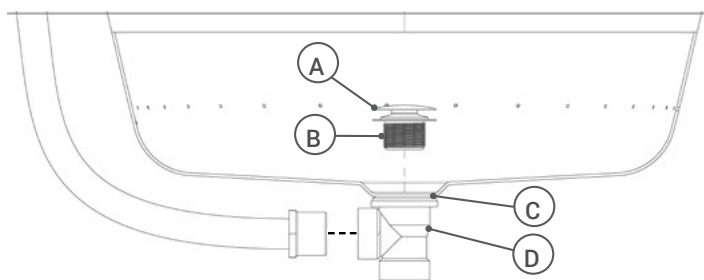
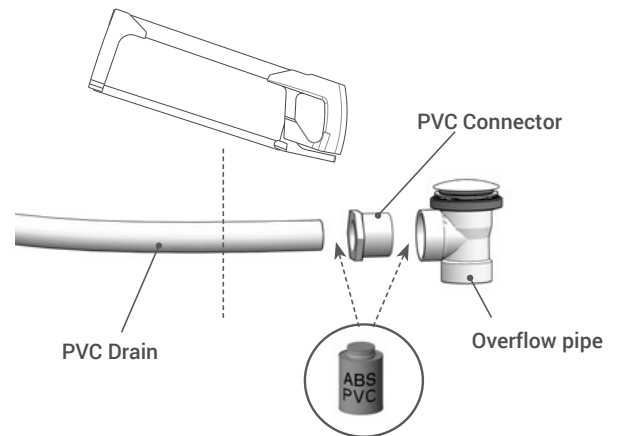
- Be sure the floor is leveled. Use shims as needed.
- Do not remove the protective plastic film on the tub and place a drop-cloth in the tub during installation to protect the acrylic.
- The pipe concealer "L" must be installed between the floor and the drain. It is recommended to apply a silicone joint at base of rim where it meets the floor.
- The bath must be firmly anchored to the floor using the nuts "N" screwed to the anchors. "M"
- Connect the drain.



INSTALLATION WITHOUT ACCESS UNDER THE FLOOR

STANDARD PARTS - PLUMBING

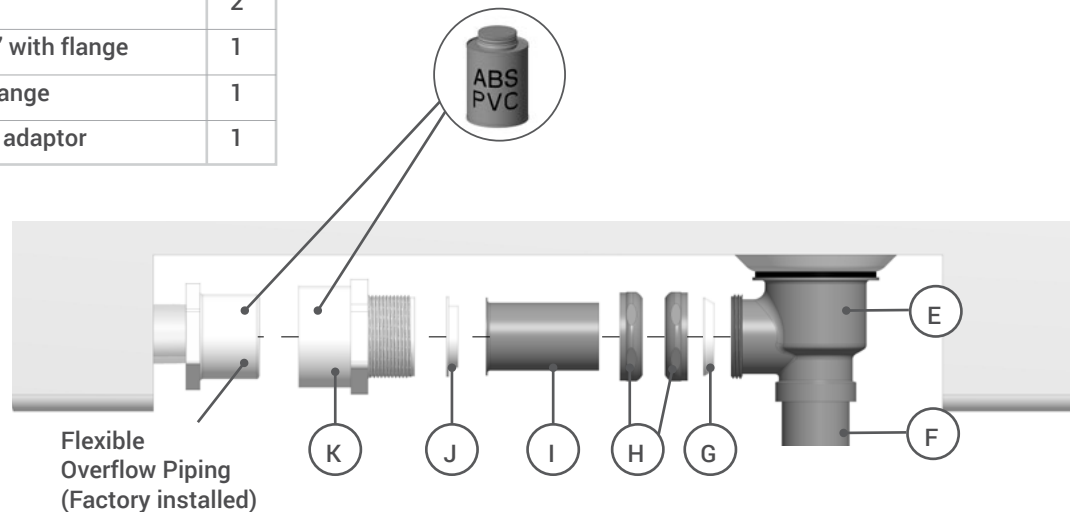
	DESCRIPTION	QTY
A	Plated drain clicker	1
B	Strainer	1
C	Rubber seal	1
D	Tee PVC Drain shoe	1


FOR TIGERFLEX OVERFLOW ONLY


NOTE: If necessary, cut the overflow pipe to the desired length, and glue it to the PVC connector and to the drain.

OPTIONAL PARTS - PLUMBING

	DESCRIPTION	QTY
E	Tee Brass drain shoe	1
F	8 in. brass tailpiece	1
G	Nylon conic shaped seal for drain	1
H	Brass nut	2
I	Brass pipe 1-1/2" x 3" with flange	1
J	Nylon flat seal with flange	1
K	1-1/2" male threaded adaptor	1

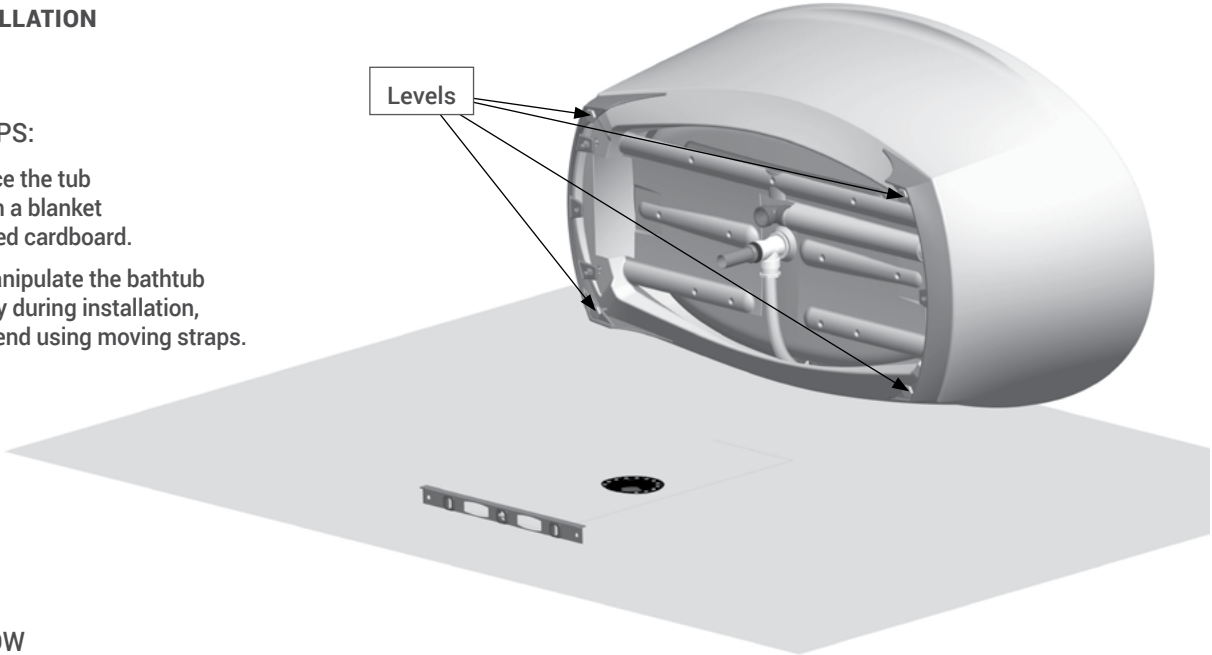


INSTALLATION WITHOUT ACCESS UNDER THE FLOOR

2 BATH INSTALLATION

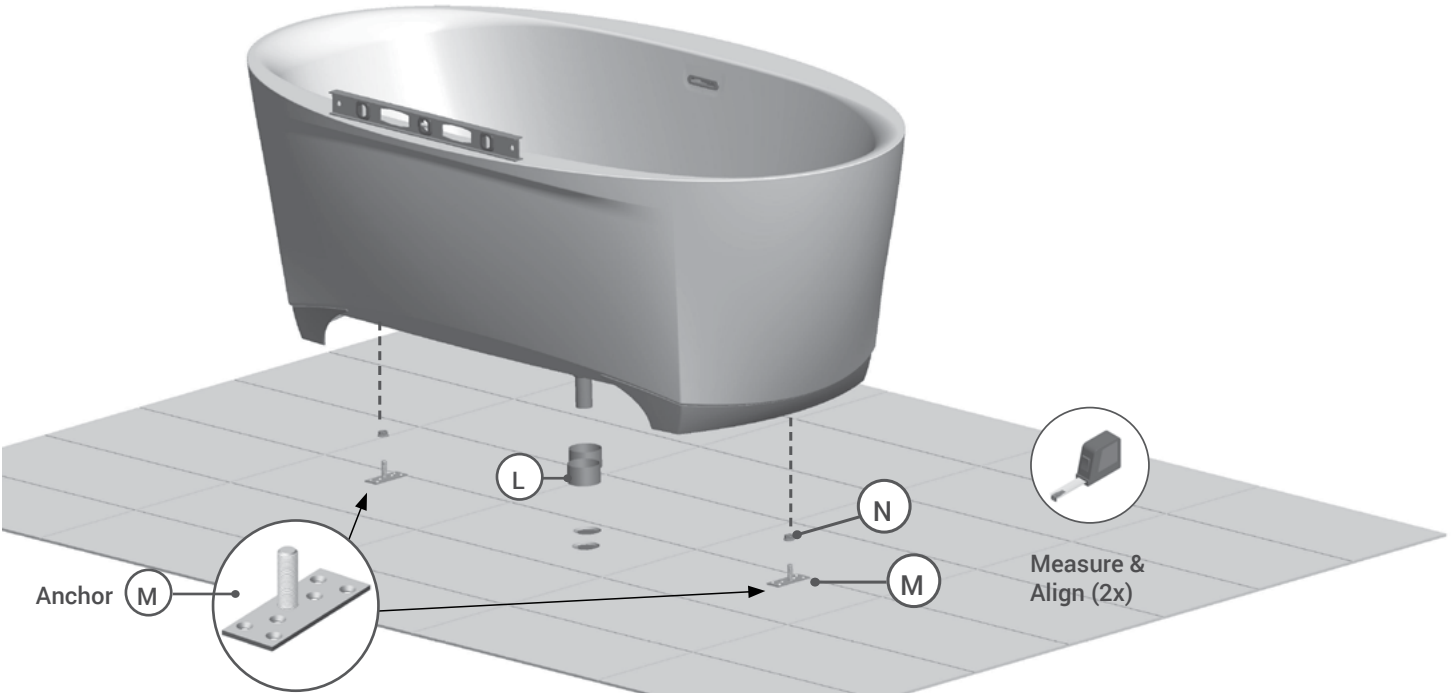
HELPFUL TIPS:

- Carefully place the tub on its side, on a blanket or a corrugated cardboard.
- To easily manipulate the bathtub in a safe way during installation, we recommend using moving straps.



STEPS TO FOLLOW

- Be sure the floor is leveled. Use shims as needed.
- Do not remove the protective plastic film on the tub and place a drop-cloth in the tub during installation to protect the acrylic.
- The pipe concealer "L" must be installed between the floor and the drain. It is recommended to apply a silicone joint at base of rim where it meets the floor.
- The bath must be firmly anchored to the floor using the nuts "N" screwed to the anchors. "M"

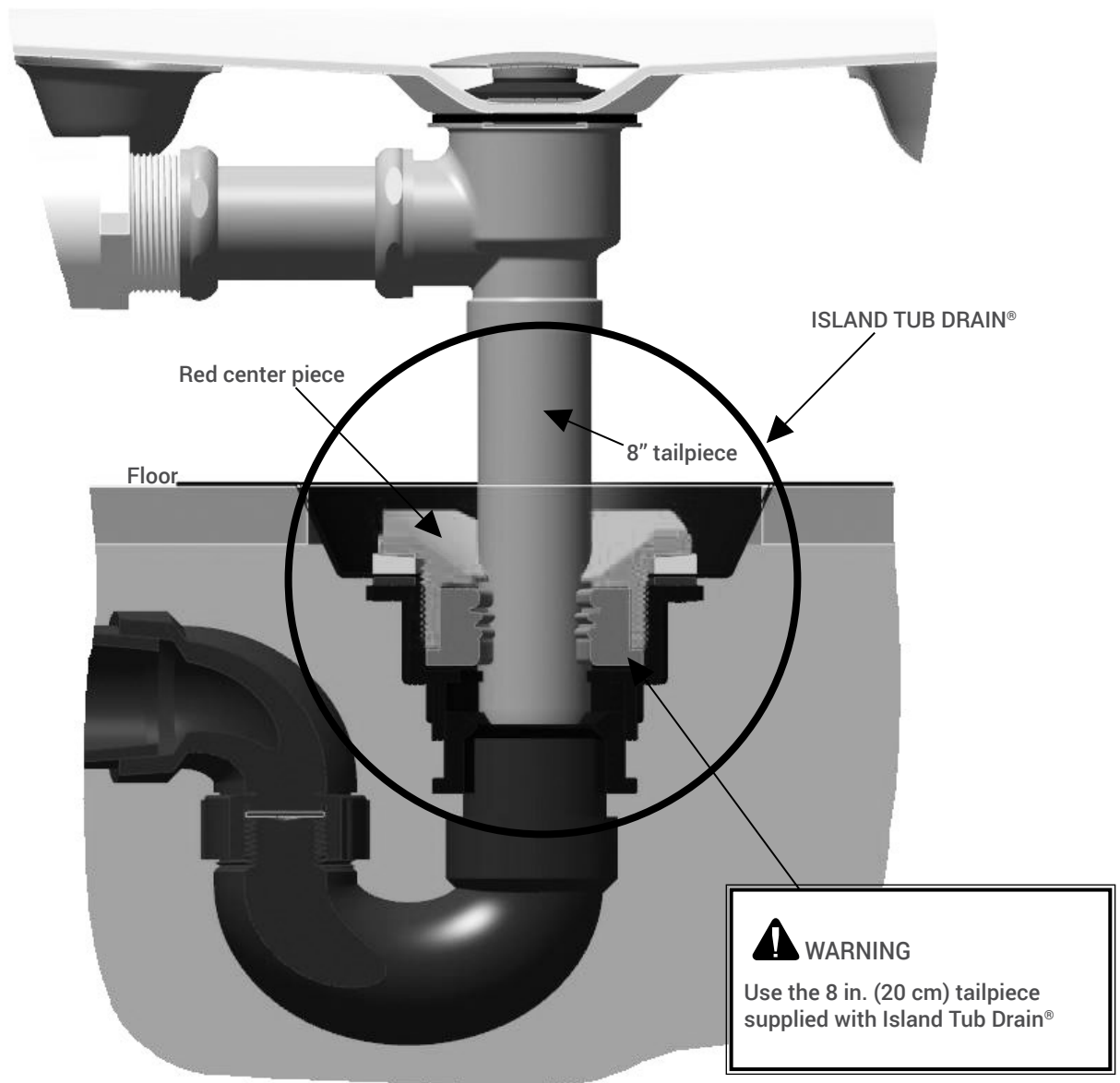


INSTALLATION WITHOUT ACCESS UNDER THE FLOOR

2 BATH INSTALLATION – CONNECTING DRAIN TO ISLAND TUB DRAIN(ITD)- DETAILS

! WARNING

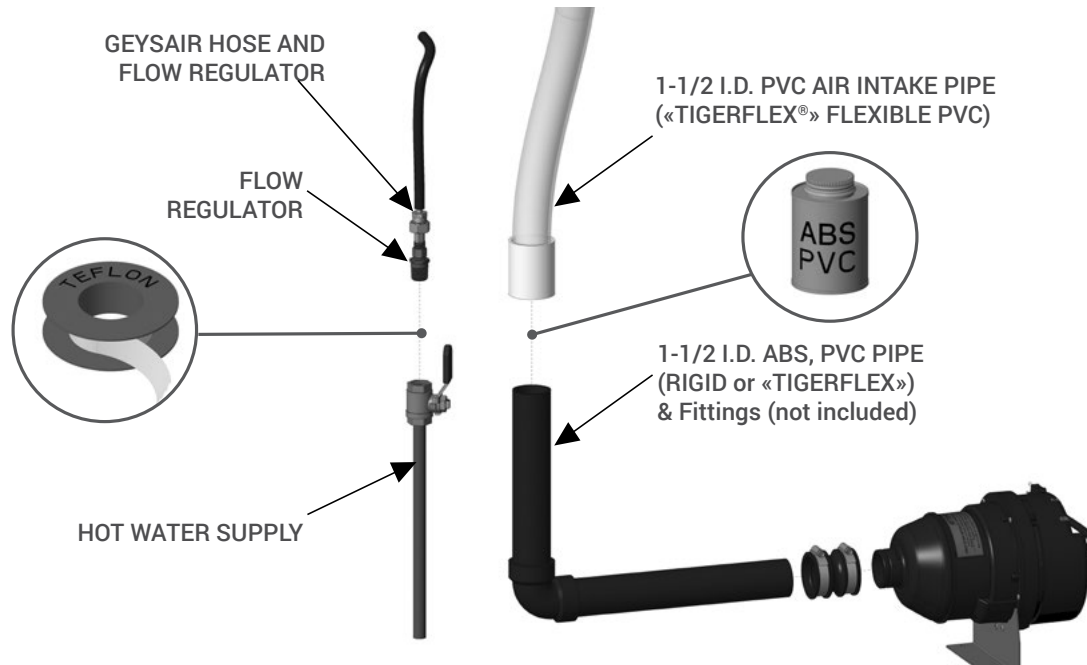
- Refer to supplied instructions for ISLAND TUB DRAIN® installation.
- The floor finishing material can go over the ITD. The red center piece connects to the brass tailpiece.



! WARNING
 Use the 8 in. (20 cm) tailpiece
 supplied with Island Tub Drain®

REMOTE MOUNTING OF TURBINE

1 TURBINE & GEYSAIR INSTALLATION (FOR THERMOMASSEUR®)

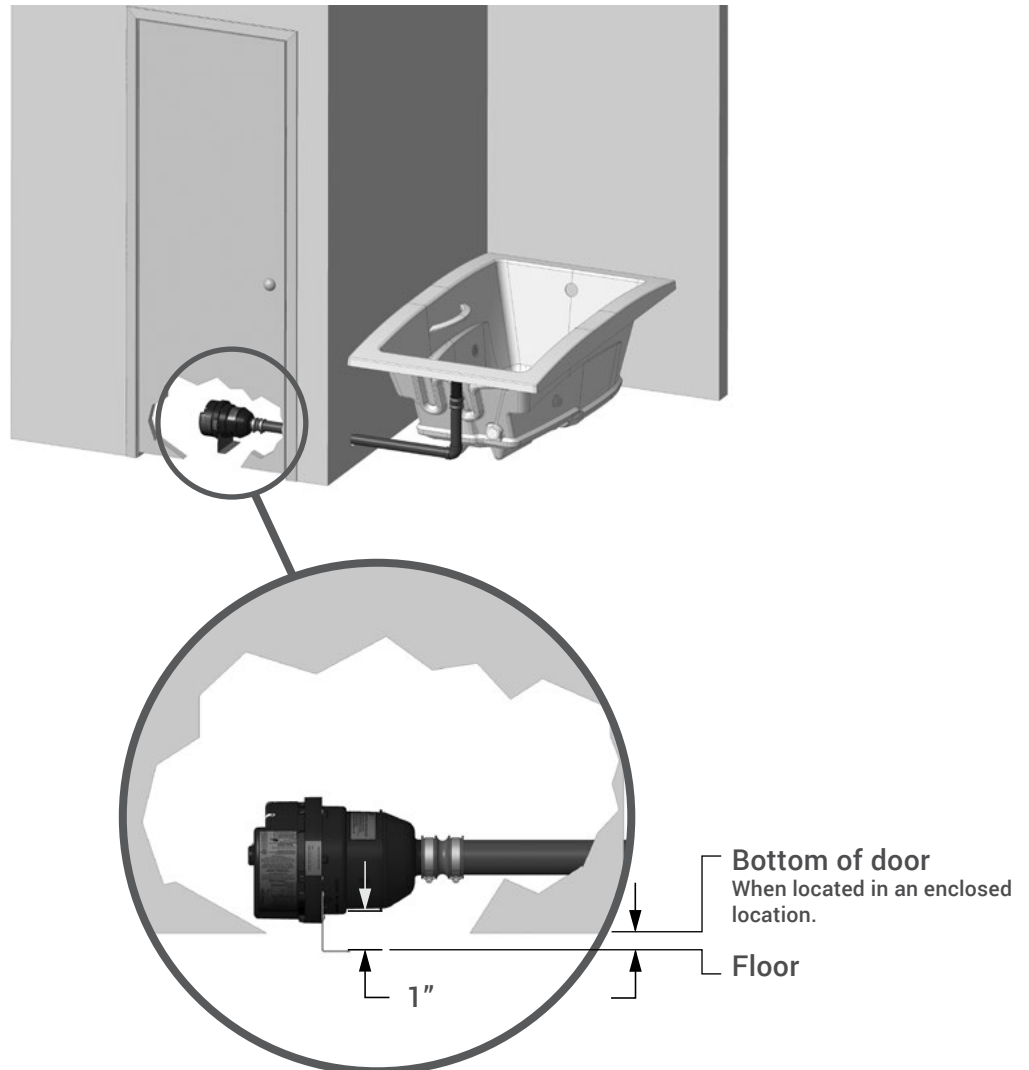


WARNING

- Access to Geysair® hot water connections is necessary for cleaning of the filter.
- Geysair component cannot be remote mounted. It must stay at original position, attached to bath. Must never be unplugged.

REMOTE MOUNTING OF TURBINE

2 REMOTE MOUNTING OF TURBINE



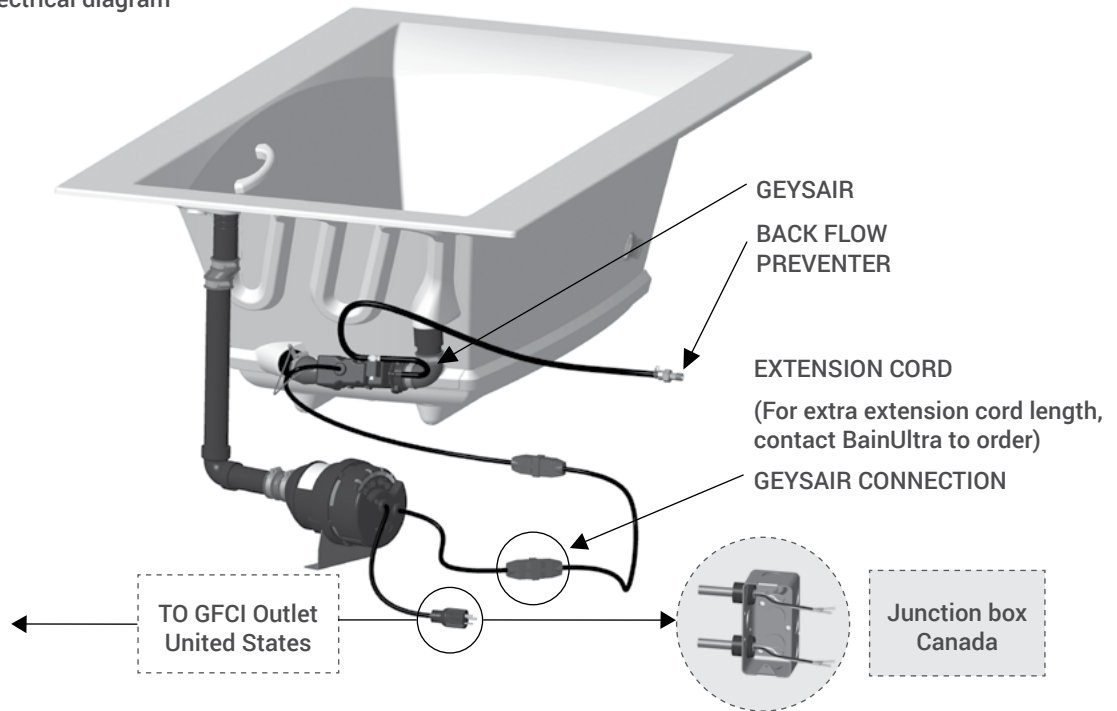
WARNING

- Choose a location for the turbine with the shortest possible distance from the Thermomasseur® bath, no more than 15 ft. (4,6m), and a maximum of six elbow directional changes to ensure system performance. It can be under the floor, in a closet or any other place that can hide the turbine and if needed optional modules. Easy access must remain possible at all time and sufficient air ventilation is necessary for turbine.
- A service access is necessary. Minimum dimensions are 22 in. x 18 in. (55 cm x 46 cm) to properly reach all electrical components of the system.
- An air vent is necessary. Minimum dimensions are: 2 in. x 4 in. (5 cm x 10 cm) to ensure proper functioning of the turbine.
- Geysair® cannot be remotely installed.


REMOTE MOUNTING OF TURBINE

3 REMOTE MOUNTING OF TURBINE - ELECTRICAL CONNECTIONS (THERMOMASSEUR®)

- See page 20 for electrical diagram



! WARNING

- For Geysair® equipped baths using remote turbine installation (not mounted on the bath), grounding continuity must be tested between the bath grounding terminal  and the bath power supply. Failure to perform the grounding continuity test could result in serious personal injury.

4 ELECTRICAL CONNECTIONS (SEE PAGES 18-19)

ELECTRONIC CONTROLS

1 ELECTRONIC CONTROL INSTALLATION – MIAPLUS®

LOCATION: Determine the most convenient location, on the wall close to tub.

! WARNING

- Baths from SCALA™ collection cannot be drilled for faucet installation. Faucets must be freestanding or wall-mounted models.
- **DRILLING OF WALL:** Refer to the Cutting Template on page 21 for the location and diameter of the holes.

TOOLS REQUIRED

Jig saw with fine cut blade

Drill

1/4 in. drill bit

KEYPAD INSTALLATION

Drill wall (template).

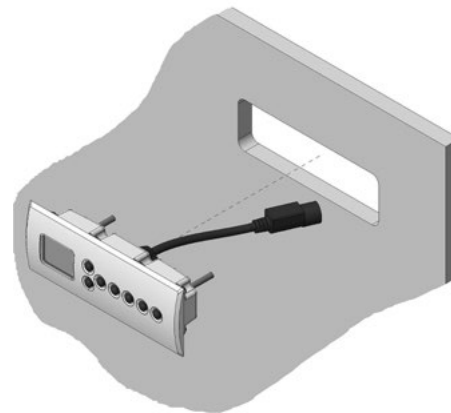
Remove the metal bracket not required for wall mounting

Push wiring through drilled holes.

Remove protective film from watertight seal.

Secure to the wall with permanent waterproof sealant (mold-free clear silicone for bathrooms).

Secure temporarily with a tape for about 24 h.



2 ELECTRONIC CONTROL INSTALLATION – DOT

TOOLS REQUIRED

7/8 in. Hole saw

Drill

KEYPAD INSTALLATION

Drill wall (7/8" hole).

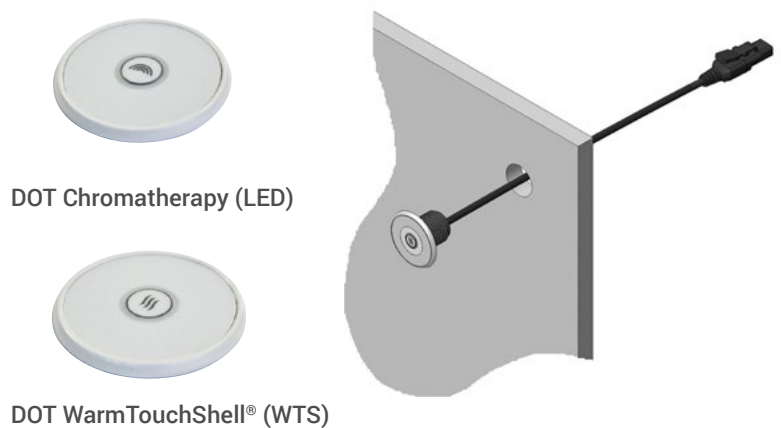
Remove the metal bracket not required for wall mounting

Push wiring through drilled holes.

Remove protective film from watertight seal.

Secure to the wall with permanent waterproof sealant (mold-free clear silicone for bathrooms).

Secure temporarily with a tape for about 24 h.



IMPORTANT

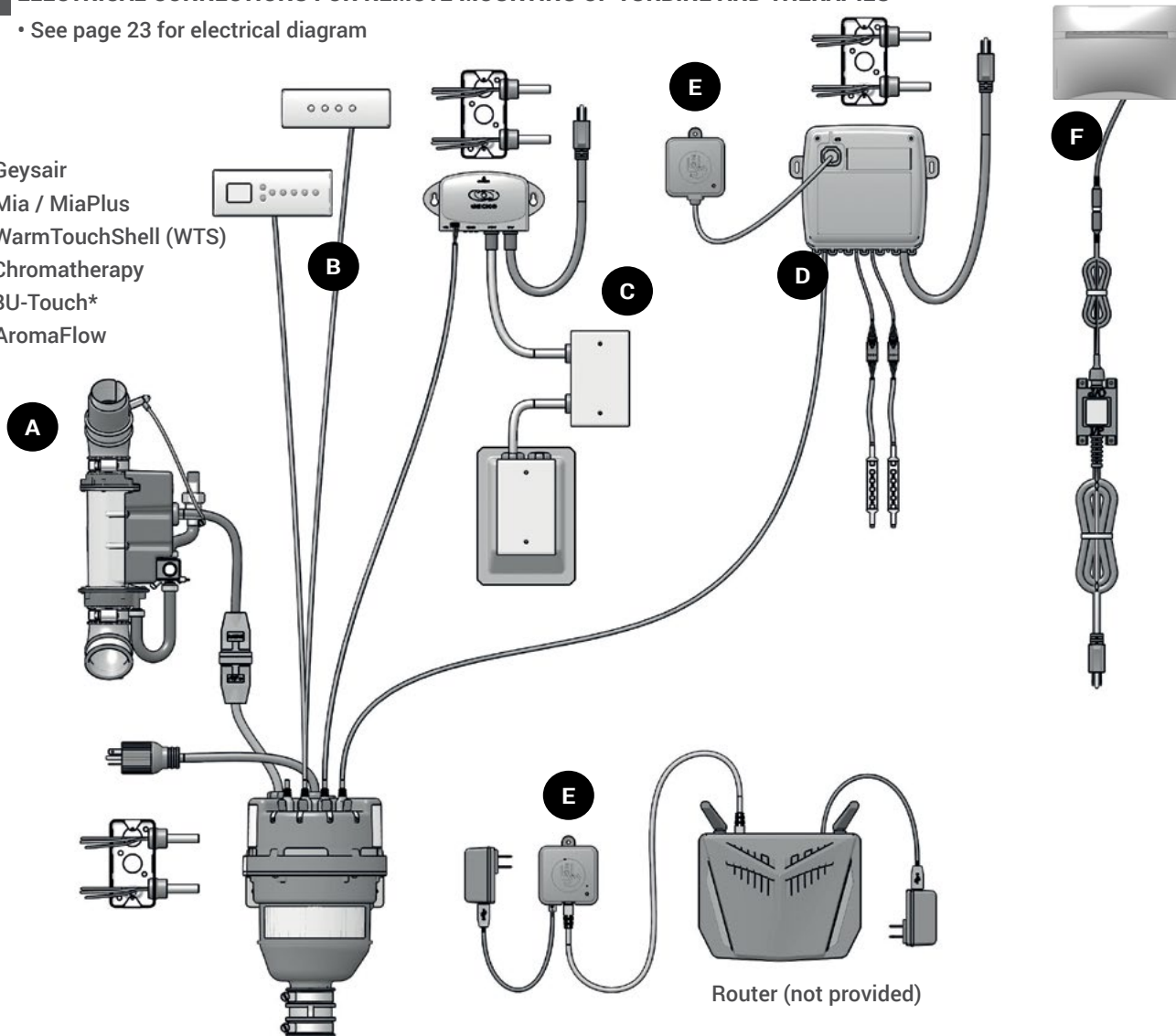
- You will find the control attached to the turbine, or to the electronic control modules.

ELECTRICAL SECTION

1 ELECTRICAL CONNECTIONS FOR REMOTE MOUNTING OF TURBINE AND THERAPIES

• See page 23 for electrical diagram

- A: Geysair
- B: Mia / MiaPlus
- C: WarmTouchShell (WTS)
- D: Chromatherapy
- E: BU-Touch*
- F: AromaFlow



NOTE: Connections may differ depending on the bath model and options.

⚠ WARNING

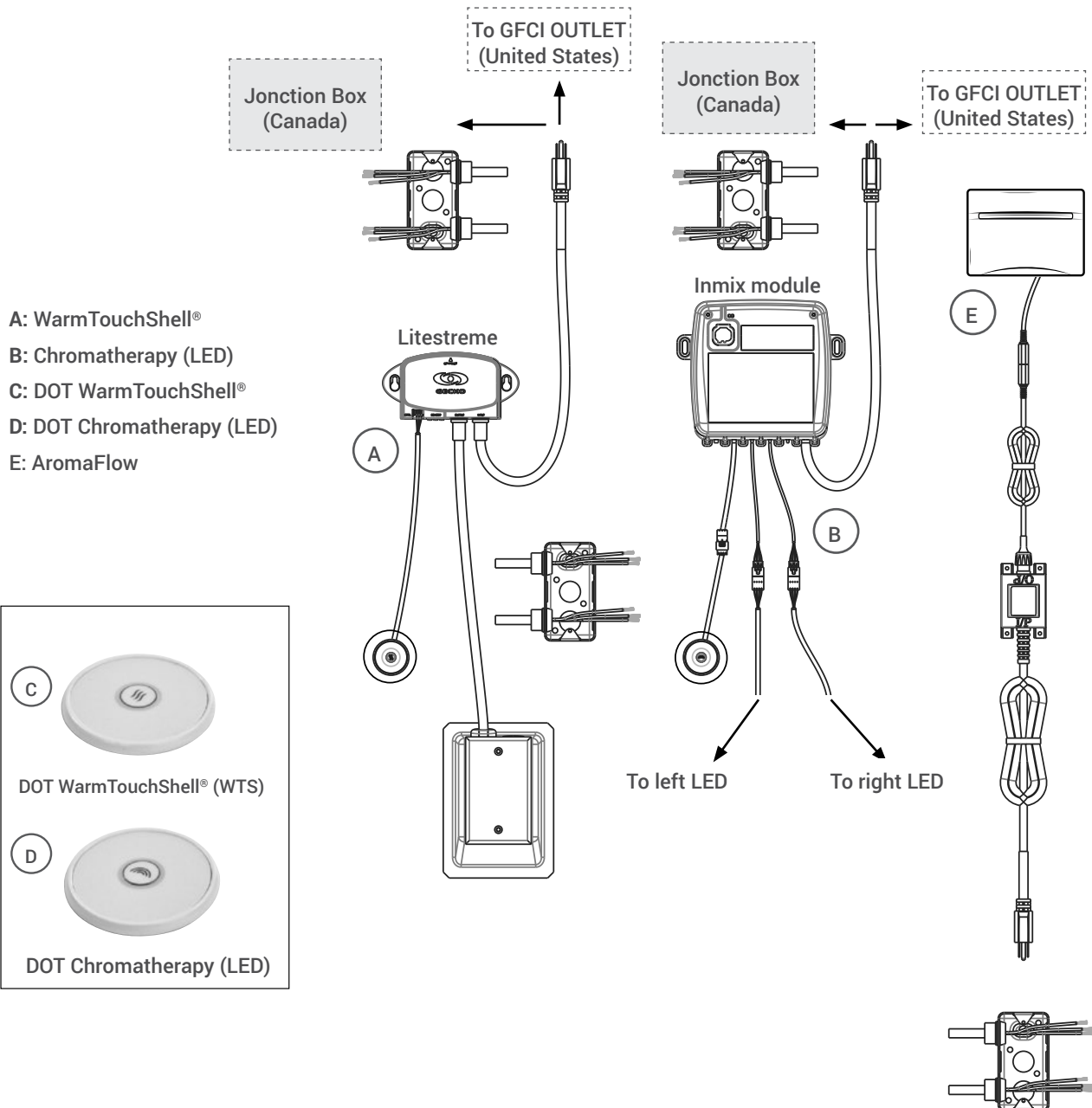
- All electrical connections must be carried out by a certified electrician and must respect federal, provincial/state, and local building codes and regulations.
- Electrical power should be turned on only after all the low voltage wires are connected to turbine.
- If this step has not been done, simply disconnect main breaker that is linked to turbine.
- Turbine must be located in a clean and dry space.
- Geysair component cannot be remote mounted. Must never be unplugged.

* BU-Touch is a virtual control application that activates all the options of the ThermoMasseur Air jets bath from your mobile device. Please refer to BU-TOUCH Quick Start Guide: www.bainultra.com/butouch-guide

ELECTRICAL SECTION

2 ELECTRICAL CONNECTIONS FOR REMOTE MOUNTING OF THERAPIES (WITHOUT AIR JETS)

• See page 23 for electrical diagram



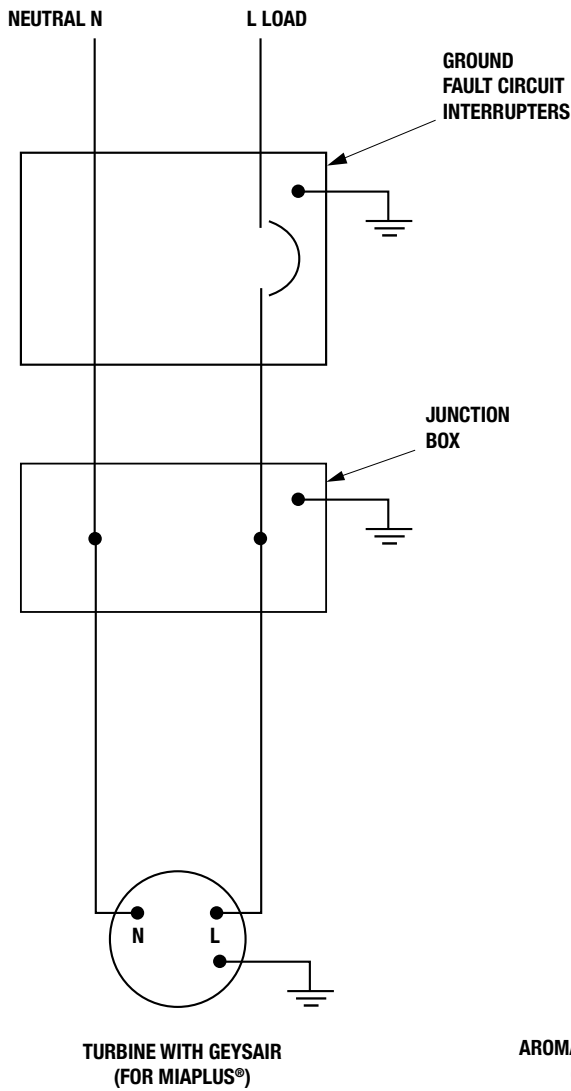
⚠ WARNING

• Libra freestanding bath cannot be drilled for faucet installation. Faucets must be freestanding or wall-mounted models.

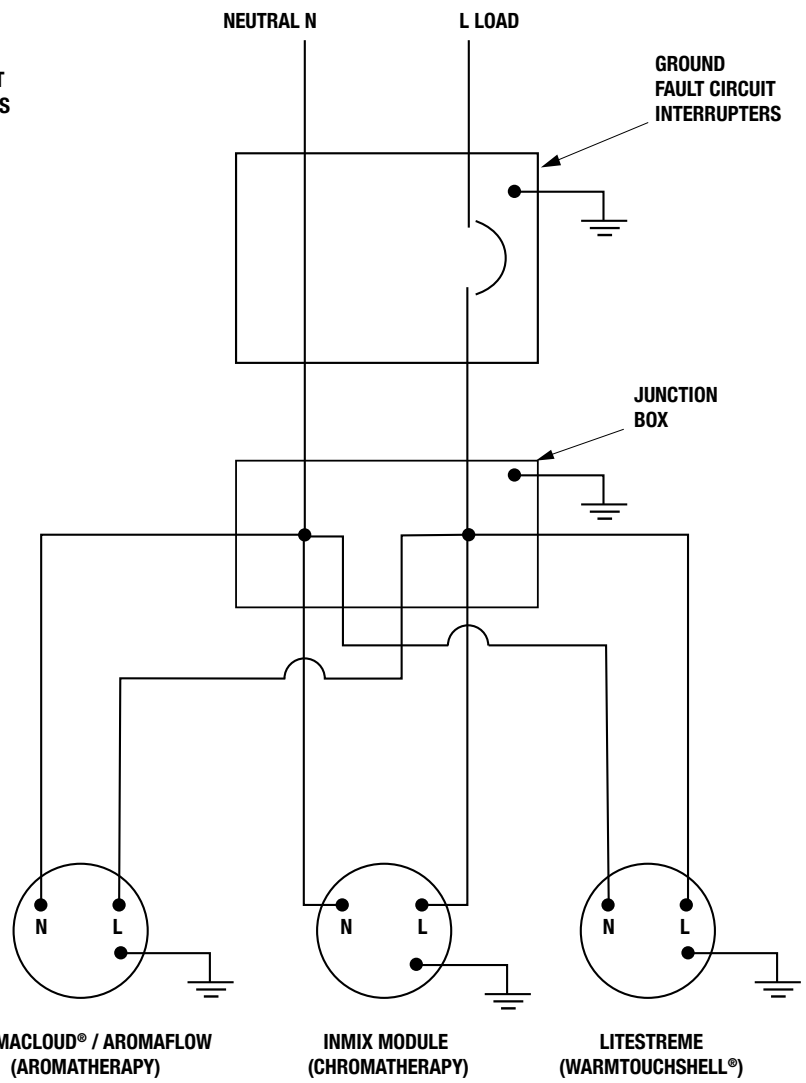
ELECTRICAL SECTION

3 ELECTRICAL DIAGRAM – 20A THERMOMASSEUR® and 15A THERAPY

20A CIRCUIT



15A CIRCUIT



CUTTING TEMPLATE OF ELECTRONIC CONTROLS

